

6

5

4

3

2

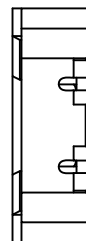
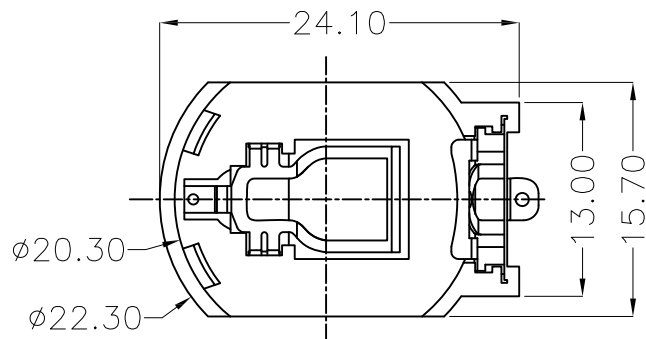
1

APPROVED: _____

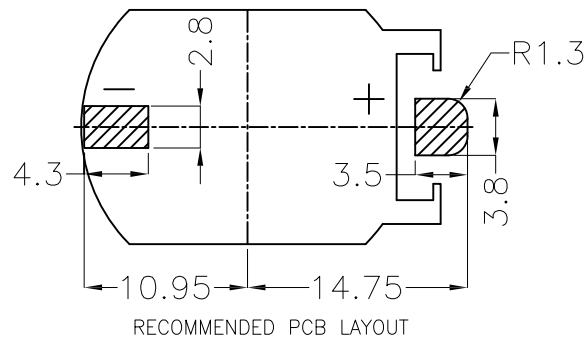
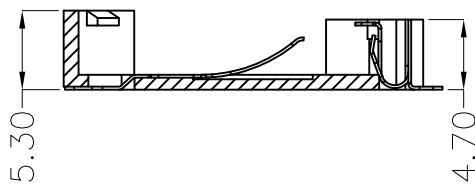
DATE: _____ TITLE: _____

Rev	AWO #	Description	Date	Appr
-		RELEASED	3/19/20	

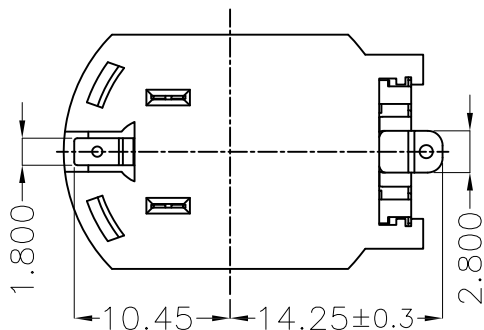
D



C



B



A

SPECIFICATIONS:

Material:
Housing: Hi-temp thermoplastic, Color: Brown
Contact: Phosphor Bronze, Gold plated
Electrical:
Contact resistance: 30 mohms max
Insulation resistance: 1,000 Megaohms ohms min
Dielectric Voltage: 500 VAC one sec level
Temperature Rating:
Operating temperature: -25°C to +85°C
Environmental:
Lead free, RoHS compliant



UNLESS OTHERWISE SPECIFIED
ALL DIMENSIONS ARE MILLIMETERS
TOLERANCES: EXCEPT AS NOTED

MM	ANGLE
X ± 0.30	X ± 1°
X.X ± 0.25	X.X ± 0.5°
X.XX ± 0.20	
X.XXX ± 0.10	

ADAM TECH
INTERCONNECTS

909 Rahway Avenue,
Union, NJ 07083
Phone: 908-687-5000
Fax: 908-687-5710

APPROVALS		DATE
DRAWN	LH	3/19/20
CHECKED	MY	3/19/20
APPROVED		

TITLE BATTERY HOLDER, SURFACE MOUNT, FOR CR2032, BROWN COLOR		
SIZE X	PART NO. BH-74K-5	REV. -
REF: S00136C	SCALE: NTS	SHEET 1 OF 1

6

5

4

3

2

1