

5

4

3

2

1

D

D

C

C

B

B

A

A


5

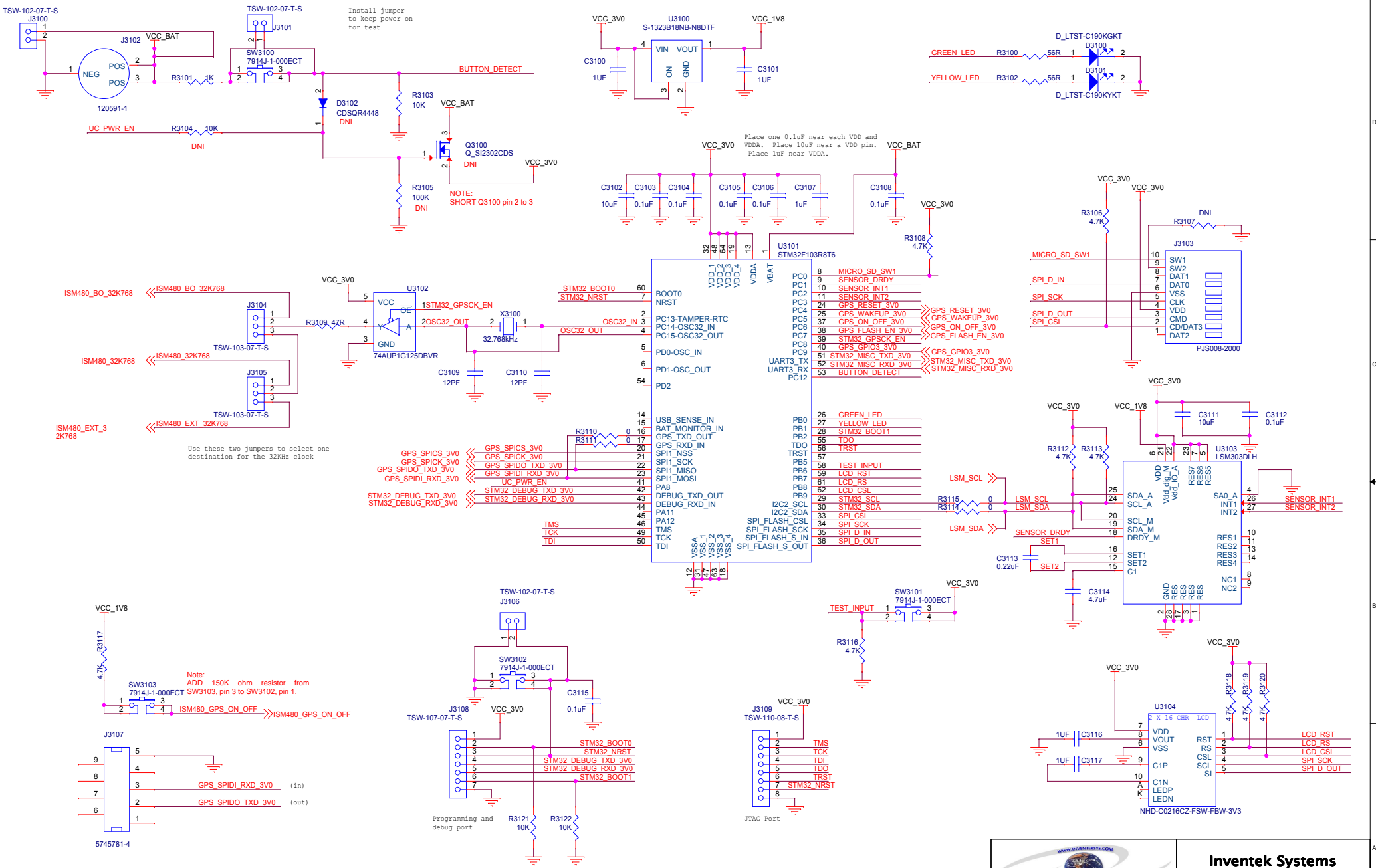
4

3

2

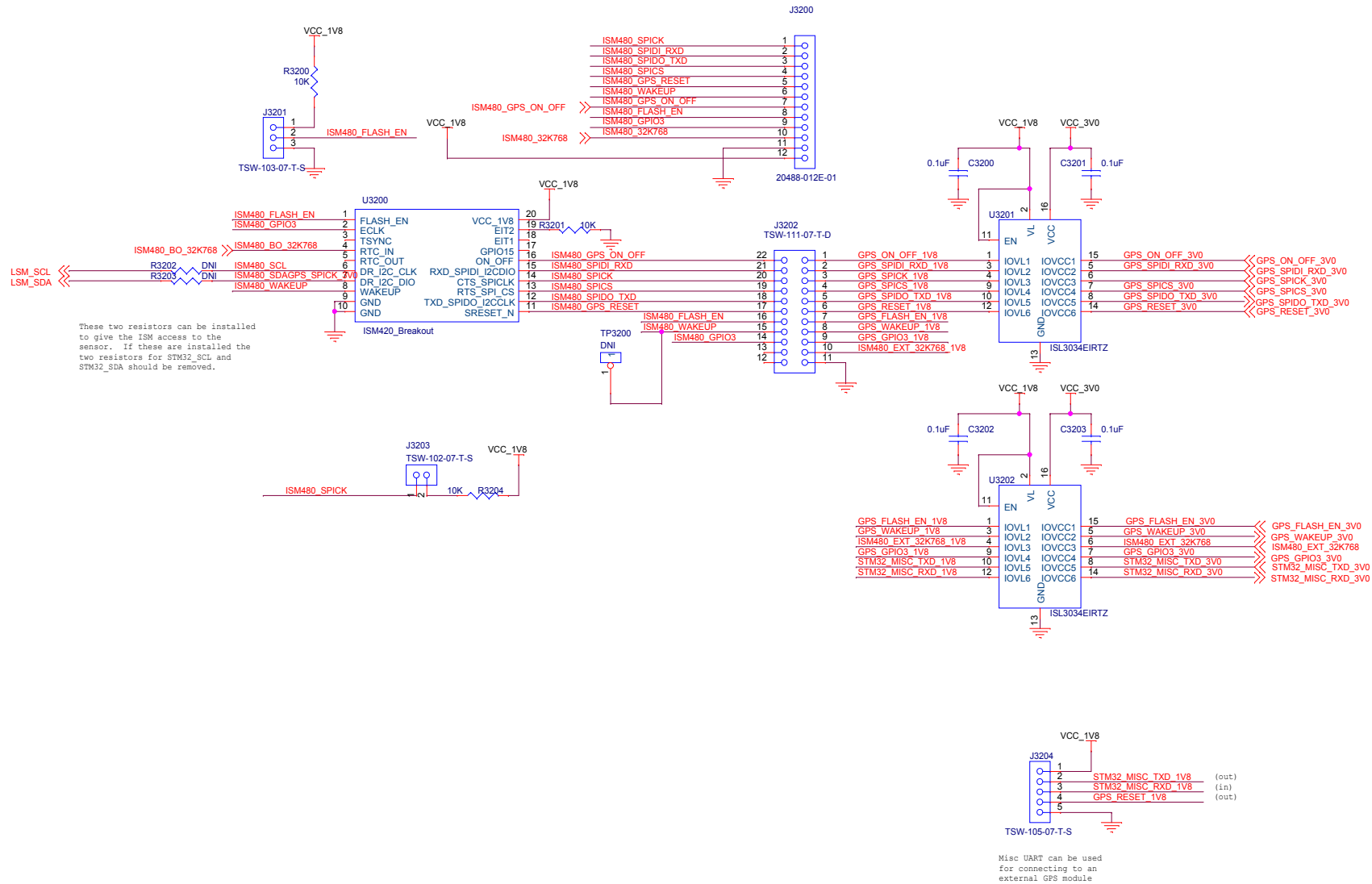
1

| | | |
|---|--|--|
|  | | Inventek Systems Copyright 2009. All Rights Reserved Confidential Information |
| Title: Title Page | | |
| Size: A3 | Doc.: DOC-SCH-1 0003 ISM420-480 TA Board | Rev.: C |
| Date: 20110330 | | Sheet: 1 of 3 |



Inventek Systems
 Copyright 2009. All Rights Reserved
 Confidential Information

| | | |
|---|---|---------|
| Title: Processor, GPS, Sensors, Micro SD, Power | | |
| Size: A3 | Doc.: DOC-SC4-10003 ISM420-480 TA Board | Rev.: C |
| Date: 20110330 | Sheet: 2 of 3 | |



Inventek Systems
 Copyright 2009. All Rights Reserved
 Confidential Information

| | | |
|--------------------------------|--|---------|
| Title: GPS & Level Translators | | |
| Size: A3 | Doc.: DOC-SCH-1 0003 ISM420-480 TA Board | Rev.: C |
| Date: 20110330 | Sheet: 3 of 3 | |