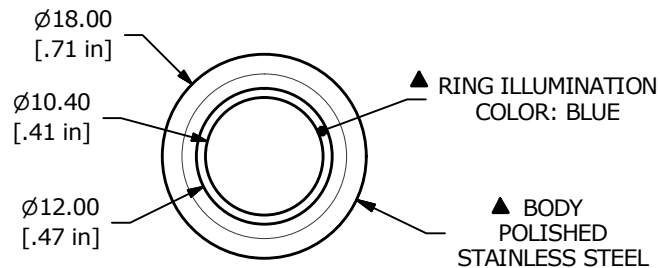


PANEL CUTOUT  
 MAX. PANEL THICKNESS  
 14.0mm [.55]



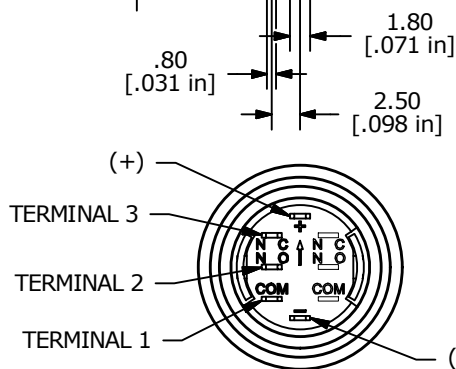
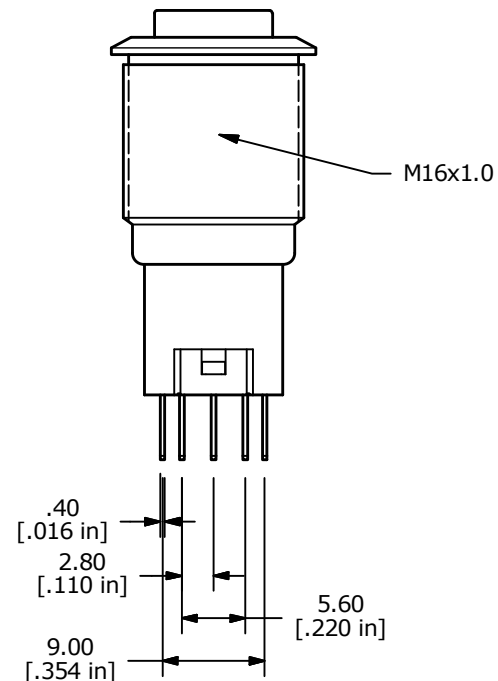
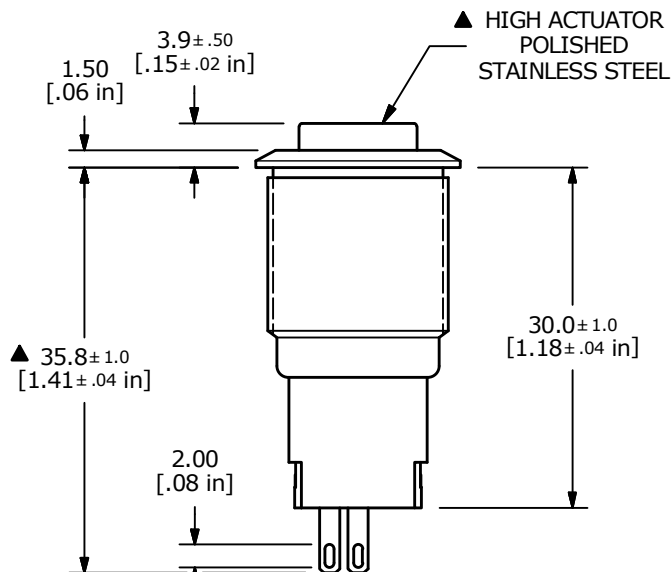
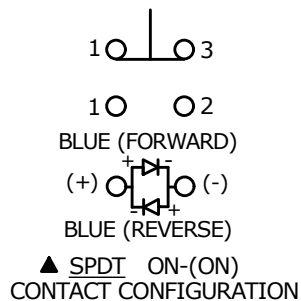
▲ RING ILLUMINATION  
 COLOR: BLUE

▲ BODY  
 POLISHED  
 STAINLESS STEEL



| ▲ SWITCH FUNCTION |        |
|-------------------|--------|
| POS. 1            | POS. 2 |
|                   |        |
| ON                | (ON)   |
| 1-3               | 1-2    |

(ON) = MOMENTARY



- NOTE:
- ALL DIMENSIONS IN MM [INCH]
  - GENERAL TOLERANCE: X.X = ±0.4  
 X.XX = ±0.25
  - TERMINAL NUMBERS FOR REF ONLY
  - CONTACT MATERIAL: SILVER
  - RATING: 2A 48VDC
  - ELECTRIC LIFE: 50,000 MAKE-AND-BREAK CYCLES AT FULL LOAD.
  - INSULATION RESISTANCE: 1,000 MΩ MIN.
  - DIELECTRIC STRENGTH: 2,000 VAC MIN. FOR 1 MINUTE
  - CONTACT RESISTANCE: 50mΩ MAX. @ 1A 12VDC
  - OPERATING TEMP.: -20°C to 55°C
  - ▲ DENOTES CRITICAL PARAMETER.
  - HARDWARE SUPPLIED: O-RING AND HEXNUT
  - INGRESS RATING: IP67
  - LAMP VOLTAGE: 6V

| REV | PCR NO | DESCRIPTION                | DATE    | BY  |
|-----|--------|----------------------------|---------|-----|
| E   | 23615  | update +/- Terminals       | 4/15/19 | MW  |
| D   | 23366  | UPDATED RATING TO 2A 48VDC | 5/14/18 | MJR |
| C   | 22889  | UPDATED RATING TO 1A 24VDC | 6/28/17 | MJR |



|                      |                 |        |                      |       |
|----------------------|-----------------|--------|----------------------|-------|
| TITLE PV3WH2B0SS-343 |                 |        |                      |       |
| SCALE 3:2            | DATE 10/22/2010 | DR CAB | DWG 52-PV3WH2B0SS343 | REV E |

THE INFORMATION CONTAINED IN THIS DOCUMENT IS PROPRIETARY TO E-SWITCH AND IS NOT TO BE COPIED OR TRANSFERRED