


NOTES :

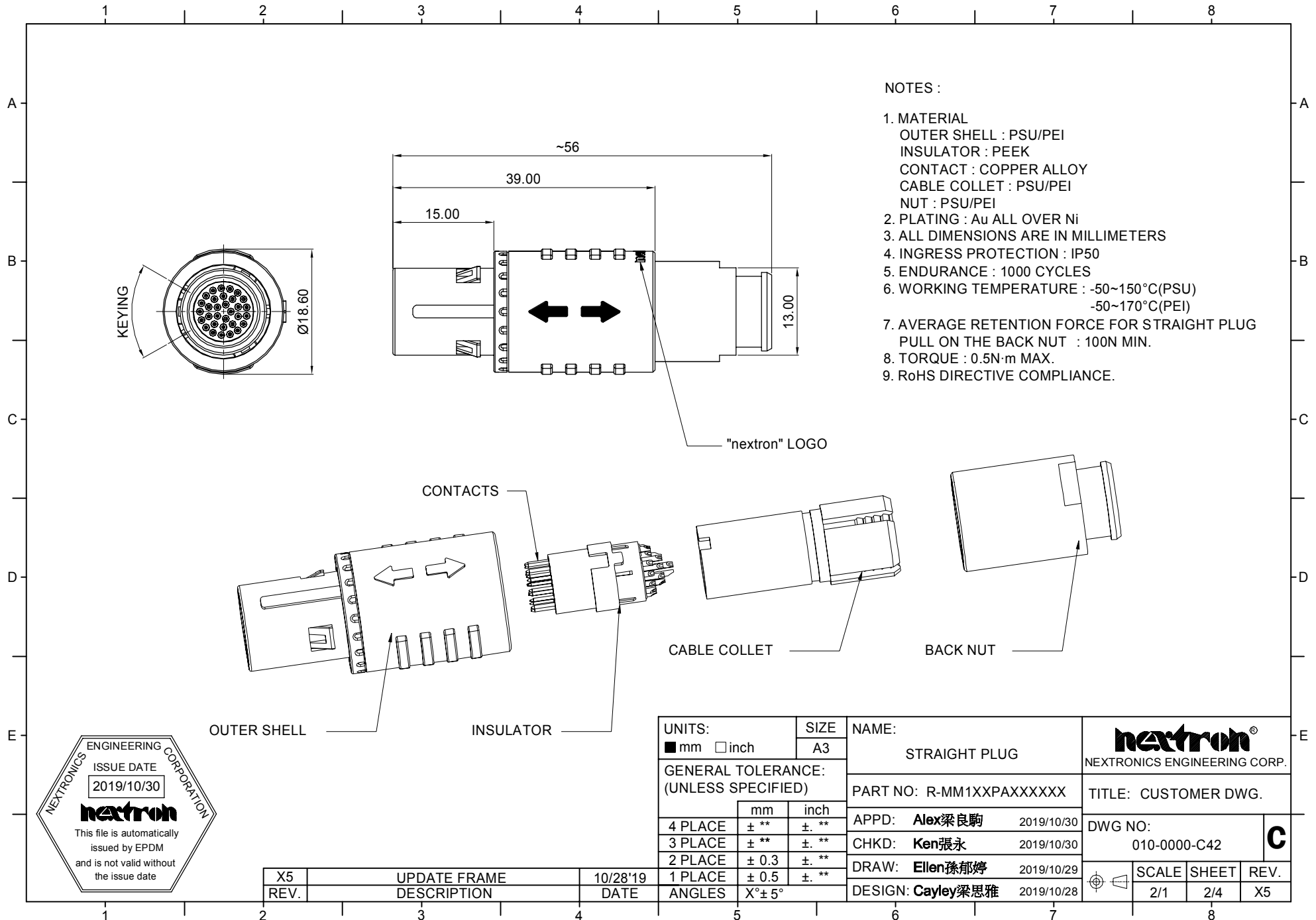
1. MATERIAL  
 OUTER SHELL : PSU/PEI  
 INSULATOR : PEEK  
 CONTACT : COPPER ALLOY  
 CABLE COLLET : PSU/PEI  
 NUT : PSU/PEI
2. PLATING : Au ALL OVER Ni
3. ALL DIMENSIONS ARE IN MILLIMETERS.
4. INGRESS PROTECTION : IP50
5. ENDURANCE : 1000 CYCLES
6. WORKING TEMPERATURE : -50~150°C(PSU)  
 -50~170°C(PEI)
7. AVERAGE RETENTION FORCE FOR STRAIGHT PLUG  
 PULL ON THE BACK NUT : 100N MIN.
8. TORQUE : 0.5N·m MAX.
9. RoHS DIRECTIVE COMPLIANCE.

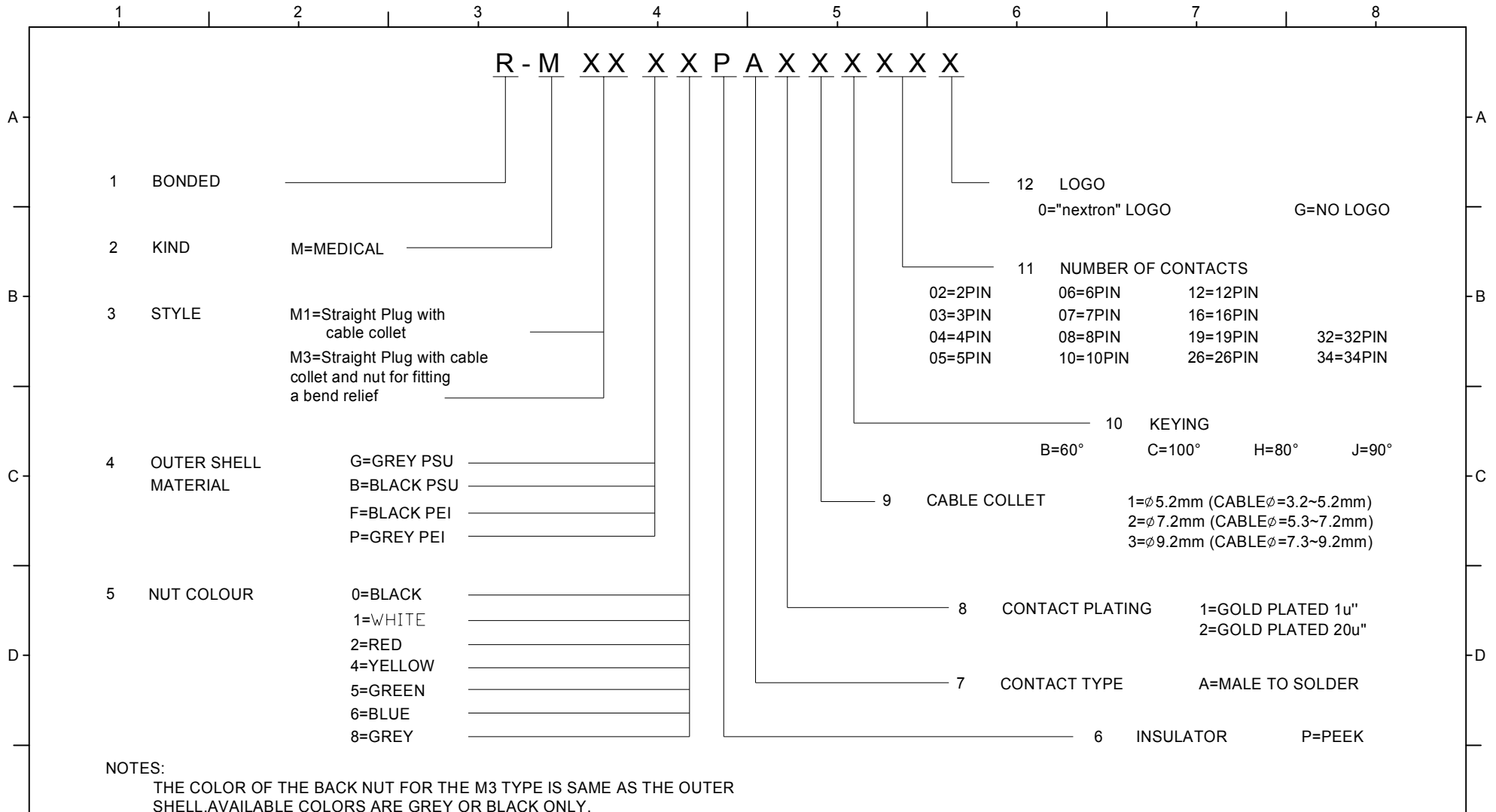


REV.	DESCRIPTION	DATE
X5	UPDATE FRAME	10/28'19

UNITS: ■ mm □ inch	SIZE A3	NAME: STRAIGHT PLUG	 NEXTRONICS ENGINEERING CORP.								
GENERAL TOLERANCE: (UNLESS SPECIFIED)		PART NO: R-MM1XXPAXXXXXX	TITLE: CUSTOMER DWG.								
	mm	inch	APPD: Alex梁良駒	2019/10/30	DWG NO: 010-0000-C42						
4 PLACE	± **	±. **	CHKD: Ken張永	2019/10/30							
3 PLACE	± **	±. **	DRAW: Ellen孫郁婷	2019/10/29	<table border="1"> <tr> <th>SCALE</th> <th>SHEET</th> <th>REV.</th> </tr> <tr> <td>2/1</td> <td>1/4</td> <td>X5</td> </tr> </table>	SCALE	SHEET	REV.	2/1	1/4	X5
SCALE	SHEET	REV.									
2/1	1/4	X5									
2 PLACE	± 0.3	±. **	DESIGN: Cayley梁思雅	2019/10/28							
1 PLACE	± 0.5	±. **									
ANGLES	X° ± 5°										

CONFIDENTIAL: THIS DOCUMENT CONTAINED THE INFORMATION IS PROPRIETARY AND CONFIDENTIAL TO Nextronics Engineering Corp. NO PERSON IS ALLOWED TO USE COPY, PUBLISH OR OTHERWISE DISCLOSE THE INFORMATION TO OTHERS, UNLESS BY THE PRIOR WRITTEN EXPRESS AUTHORIZATION OF Nextronics Engineering Corp. (C)COPYRIGHT- Nextronics Engineering Corp.





NOTES:  
 THE COLOR OF THE BACK NUT FOR THE M3 TYPE IS SAME AS THE OUTER SHELL, AVAILABLE COLORS ARE GREY OR BLACK ONLY.

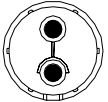

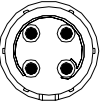
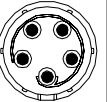
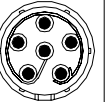
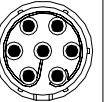
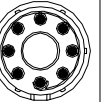
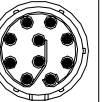
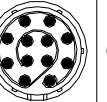
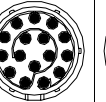



REV.	DESCRIPTION	DATE
X5	UPDATE FRAME	10/28'19


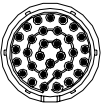
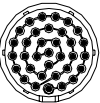
UNITS: ■ mm □ inch	SIZE A3	NAME: STRAIGHT PLUG	 NEXTRONICS ENGINEERING CORP.						
GENERAL TOLERANCE: (UNLESS SPECIFIED)		PART NO: R-MM1XXPAXXXXXX		TITLE: CUSTOMER DWG.					
	mm    inch	APPD: Alex梁良駒    2019/10/30	DWG NO: 010-0000-C42						
4 PLACE    ± **    ± **		CHKD: Ken張永    2019/10/30	<table border="1"> <tr> <td>SCALE</td> <td>SHEET</td> <td>REV.</td> </tr> <tr> <td>2/1</td> <td>3/4</td> <td>X5</td> </tr> </table>	SCALE	SHEET	REV.	2/1	3/4	X5
SCALE	SHEET	REV.							
2/1	3/4	X5							
3 PLACE    ± **    ± **		DRAW: Ellen孫郁婷    2019/10/29							
2 PLACE    ± 0.3    ± **		DESIGN: Cayley梁思雅    2019/10/28							
1 PLACE    ± 0.5    ± **									
ANGLES    X° ± 5°									

CONFIDENTIAL: THIS DOCUMENT CONTAINED THE INFORMATION IS PROPRIETARY AND CONFIDENTIAL TO Nexttronics Engineering Corp. NO PERSON IS ALLOWED TO USE COPY, PUBLISH OR OTHERWISE DISCLOSE THE INFORMATION TO OTHERS, UNLESS BY THE PRIOR WRITTEN EXPRESS AUTHORIZATION OF Nexttronics Engineering Corp. (C)COPYRIGHT- Nexttronics Engineering Corp.

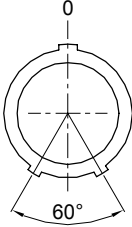
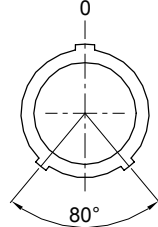
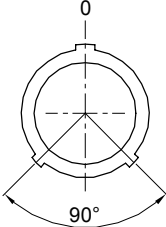
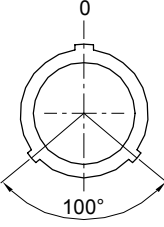
INSERT DATA SHEET

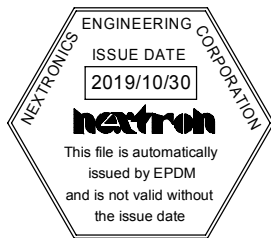
NUMBER OF CONTACTS	2	3	4	5	6	7	8	10	12	16	19
VIEW FROM TERMINATION SIDE											
CONTACT Ø(mm)	2.0	1.6	1.3	1.3	1.3	1.3	0.9	0.9	0.7	0.7	0.7
SOLDER BUCKET Ø(mm)	1.8	1.4	1.0	1.0	1.0	1.0	0.8	0.8	0.8	0.8	0.8
RATED CURRENT(A)	30	17	15	14	12	11	10	8.0	7.0	6.0	5.0

INSERT DATA SHEET


NUMBER OF CONTACTS	26	32	34
VIEW FROM TERMINATION SIDE			
CONTACT Ø(mm)	0.5	0.5	0.5
SOLDER BUCKET Ø(mm)	0.4	0.4	0.4
RATED CURRENT(A)	2.0	1.5	1.5

ALIGNMENT KEY

KEYING (PLUG FRONT VIEW)				
	REFERENCE	B	H	J



X5	UPDATE FRAME	10/28'19
REV.	DESCRIPTION	DATE

UNITS: ■ mm □ inch	SIZE A3	NAME: STRAIGHT PLUG	 NEXTRONICS ENGINEERING CORP.							
GENERAL TOLERANCE: (UNLESS SPECIFIED)		PART NO: R-MM1XXPAXXXXXX	TITLE: CUSTOMER DWG.							
4 PLACE ± **	± **. **	APPD: Alex梁良駒 2019/10/30	DWG NO: 010-0000-C42							
3 PLACE ± **	± **. **	CHKD: Ken張永 2019/10/30	<table border="1"> <tr> <td>SCALE</td> <td>SHEET</td> <td>REV.</td> </tr> <tr> <td>2/1</td> <td>4/4</td> <td>X5</td> </tr> </table>		SCALE	SHEET	REV.	2/1	4/4	X5
SCALE	SHEET	REV.								
2/1	4/4	X5								
2 PLACE ± 0.3	± **. **	DRAW: Ellen孫郁婷 2019/10/29								
1 PLACE ± 0.5	± **. **	DESIGN: Cayley梁思雅 2019/10/28								

CONFIDENTIAL: THIS DOCUMENT CONTAINED THE INFORMATION IS PROPRIETARY AND CONFIDENTIAL TO Nextronics Engineering Corp. NO PERSON IS ALLOWED TO USE COPY, PUBLISH OR OTHERWISE DISCLOSE THE INFORMATION TO OTHERS, UNLESS BY THE PRIOR WRITTEN EXPRESS AUTHORIZATION OF Nextronics Engineering Corp. (C)COPYRIGHT- Nextronics Engineering Corp.