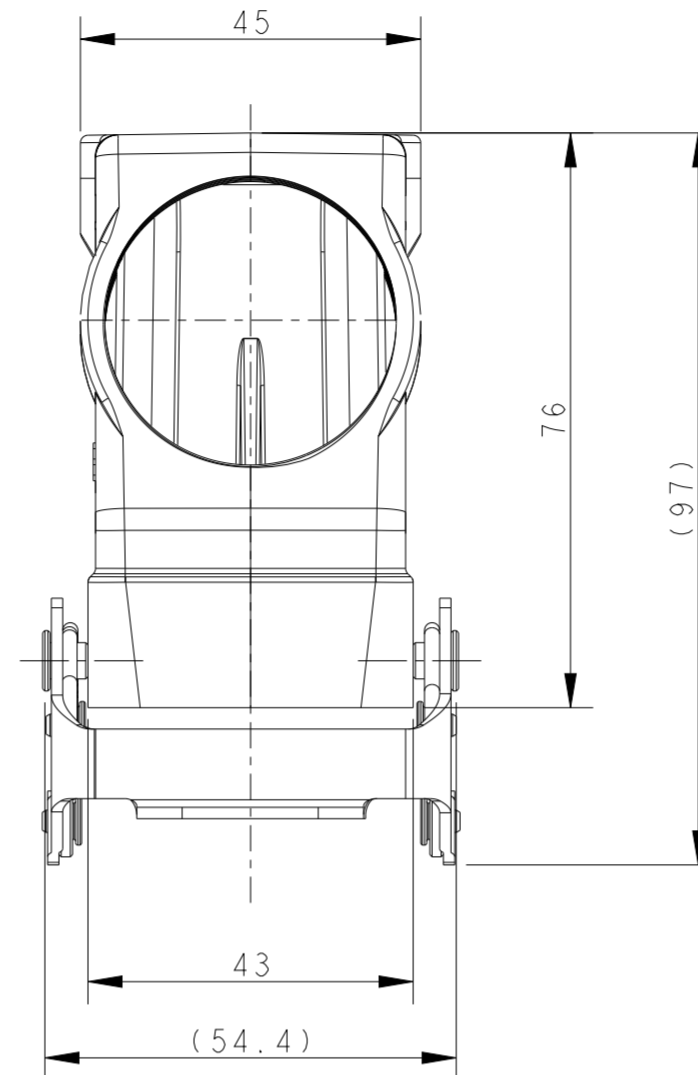
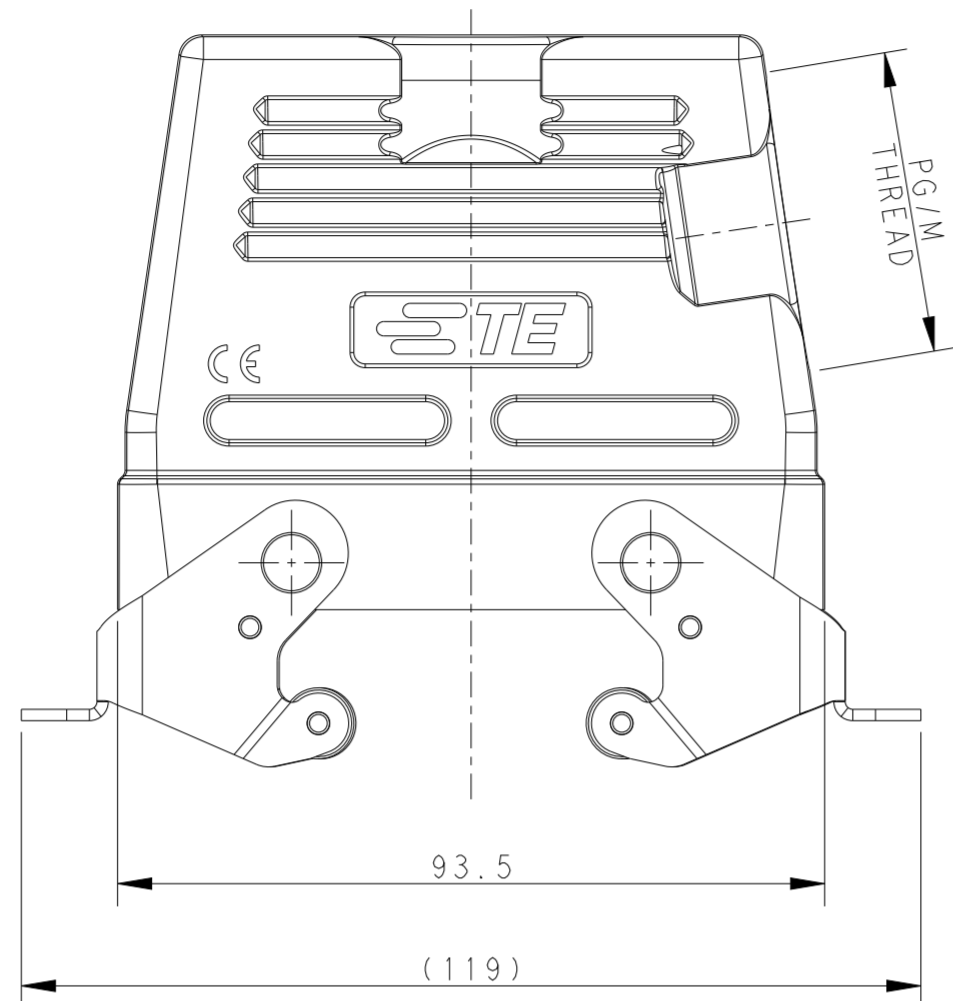
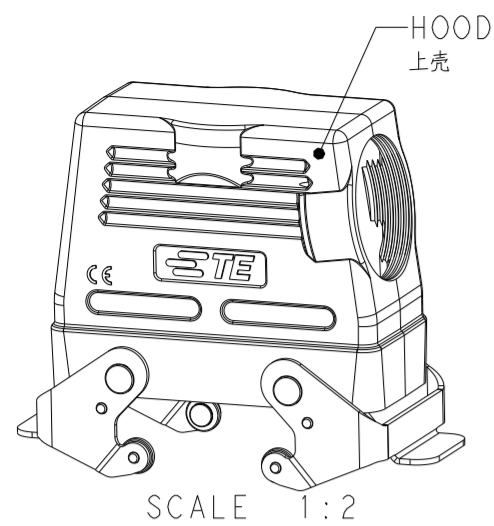


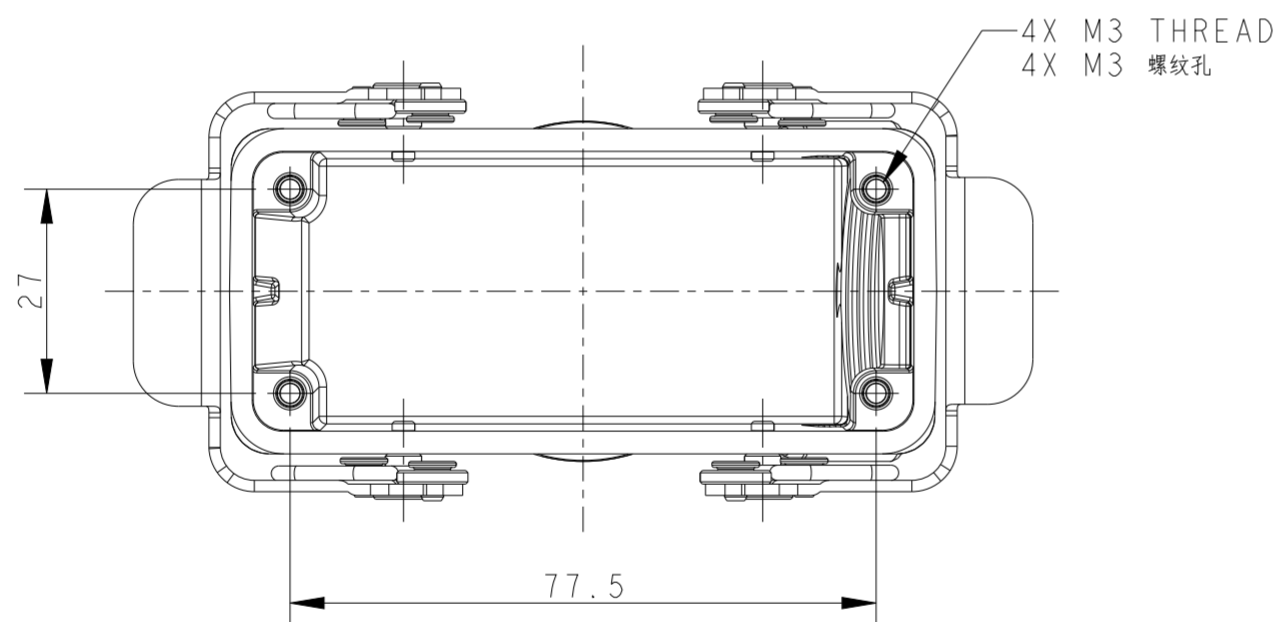
THIS DRAWING IS UNPUBLISHED. RELEASED FOR PUBLICATION 20
 © COPYRIGHT 20 BY - ALL RIGHTS RESERVED.

REVISIONS					
P	LTR	DESCRIPTION	DATE	DWN	APVD
A2		ECR-16-010326	07JUL2016	DW	DW
A3		ECR-16-018349	30DEC2016	DW	CW
B		ECR-20-014388	09DEC2020	WOR	CW
B1		ECR-21-105138	30JUN2021	WOR	CW



NOTES:
 1. TECHNICAL CHARACTERISTICS:
 HOOD MATERIAL: DIE CAST ALUMINIUM ALLOY
 HOOD SURFACE: CONDUCTIVE PAINTING
 HOOD SURFACE COLOR: TRANSPARENCY
 HOOD RESISTANCE: ≤10 mΩ
 DEGREE OF PROTECTION: IP65 (MATED)

注释:
 1. 技术参数:
 上壳材料: 铝合金
 上壳表面处理: 导电油漆
 上壳表面处理颜色: 透明
 上壳电阻: ≤10 mΩ
 防护等级: IP65(配合)



T1270165121-000	HI6B-TSBHS-EMC-PG21	HI6B EMC HOOD, SIDE ENTRY PG21, STAINLESS STEEL DOUBLE LOCKING, HIGH CONSTRUCTION HI6B屏蔽上壳, 侧出PG21, 不锈钢双扣, 高结构	PG21
T1270165129-000	HI6B-TSBHS-EMC-PG29	HI6B EMC HOOD, SIDE ENTRY PG29, STAINLESS STEEL DOUBLE LOCKING, HIGH CONSTRUCTION HI6B屏蔽上壳, 侧出PG29, 不锈钢双扣, 高结构	PG29
T1270165125-000	HI6B-TSBHS-EMC-M25	HI6B EMC HOOD, SIDE ENTRY M25, STAINLESS STEEL DOUBLE LOCKING, HIGH CONSTRUCTION HI6B屏蔽上壳, 侧出M25, 不锈钢双扣, 高结构	M25
T1270165132-000	HI6B-TSBHS-EMC-M32	HI6B EMC HOOD, SIDE ENTRY M32, STAINLESS STEEL DOUBLE LOCKING, HIGH CONSTRUCTION HI6B屏蔽上壳, 侧出M32, 不锈钢双扣, 高结构	M32
T1270165140-000	HI6B-TSBHS-EMC-M40	HI6B EMC HOOD, SIDE ENTRY M40, STAINLESS STEEL DOUBLE LOCKING, HIGH CONSTRUCTION HI6B屏蔽上壳, 侧出M40, 不锈钢双扣, 高结构	M40
PART NUMBER 零件料号		PART DESCRIPTION 零件描述	PG/M THREAD PG/M 螺纹孔

THIS DRAWING IS A CONTROLLED DOCUMENT.		DWN DAVID WANG 10JUL2014	TE Connectivity	
		CHK CHRIS WANG 10JUL2014		
		APVD XIANG XU 10JUL2014	NAME HI6B-TSBHS-EMC-PG/M	
DIMENSIONS: mm		TOLERANCES UNLESS OTHERWISE SPECIFIED:	PRODUCT SPEC 108-137016	
		0 PLC ±-	APPLICATION SPEC 114-137016	
		1 PLC ±-	SIZE A2	
		2 PLC ±-	CAGE CODE 00779	
		3 PLC ±-	DRAWING NO T12701651XX000	
		4 PLC ±-	RESTRICTED TO	
		ANGLES ±-	SCALE 1:1	
		FINISH -	SHEET 1 OF 1	
		-	REV B1	
MATERIAL			CUSTOMER DRAWING	