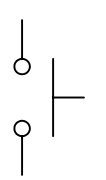
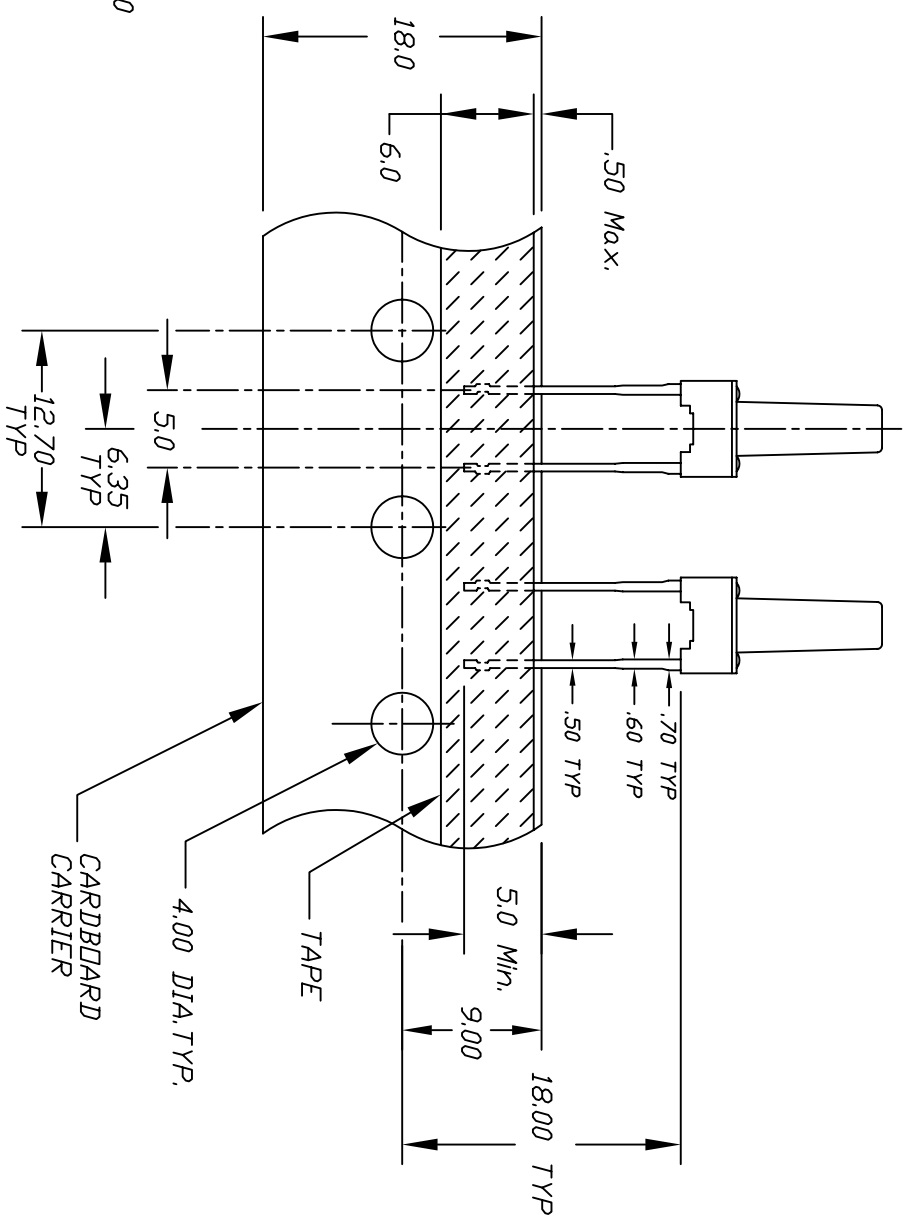
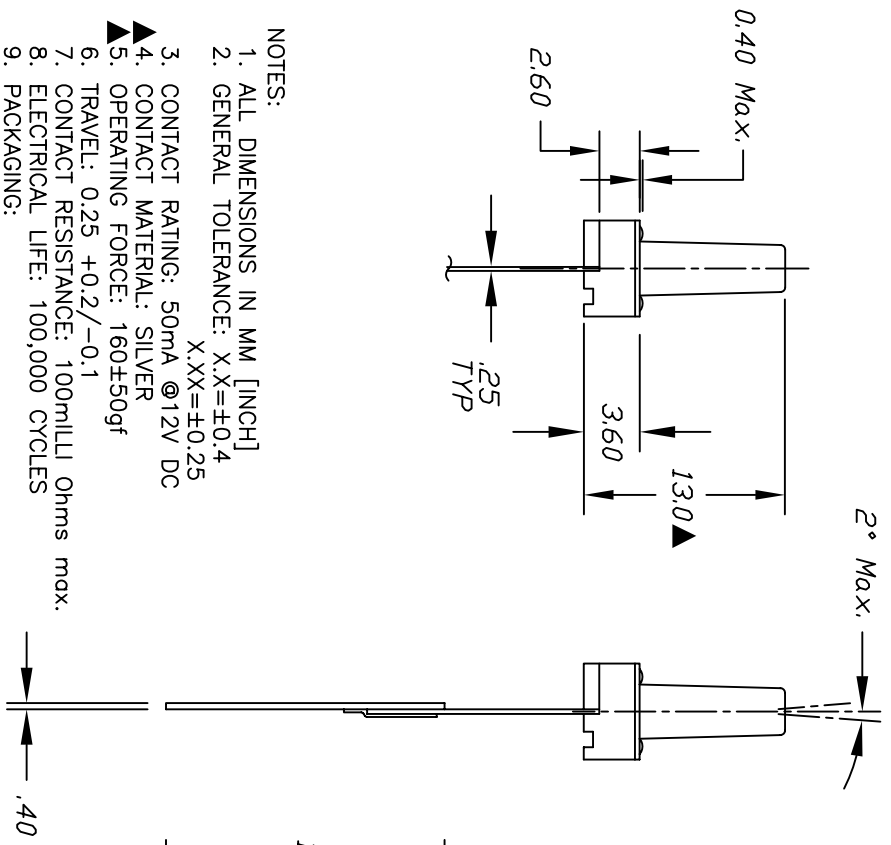


RECOMMEND P.C.B. HOLES



CIRCUIT: SPST

CONTACT CONFIGURATION



- NOTES:
1. ALL DIMENSIONS IN MM [INCH]
  2. GENERAL TOLERANCE: X.X=±0.4  
X.XX=±0.25
  3. CONTACT RATING: 50mA @12V DC
  4. CONTACT MATERIAL: SILVER
  5. OPERATING FORCE: 160±50gf
  6. TRAVEL: 0.25 +0.2/-0.1
  7. CONTACT RESISTANCE: 100mOhms max.
  8. ELECTRICAL LIFE: 100,000 CYCLES
  9. PACKAGING:  
CARRIER IS FOLDED EVERY 25 PITCHES  
(24) SWITCHES PER FOLD  
(1,000) SWITCHES PER BOX
  10. 2002/95/EC (ROHS) COMPLIANT
  11. ▲ DENOTES MAJOR DIMENSION.

B	16894	UPDATE NOTES, .30 TD .25	1/19/2007	TN
A	PCR	RELEASED FOR PRODUCTION		
REV.	PCR	DESCRIPTION	DATE	CHKD

TOLERANCES	
0.0	±0.4
0.00	±0.25

TITLE		SCALE	DATE	DR	DWG	REV
E-SWITCH		2:1	1/19/2007	TN	P010565	B
TL59DF160Q						

THE INFORMATION CONTAINED IN THIS DOCUMENT IS PROPRIETARY TO E-SWITCH AND IS NOT TO BE COPIED OR TRANSFERRED