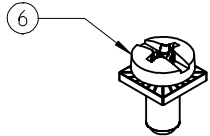
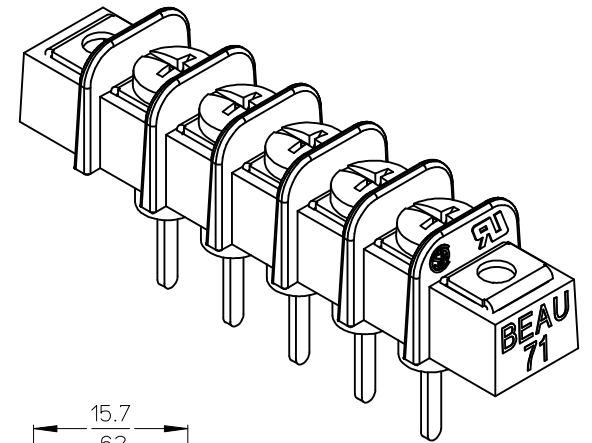
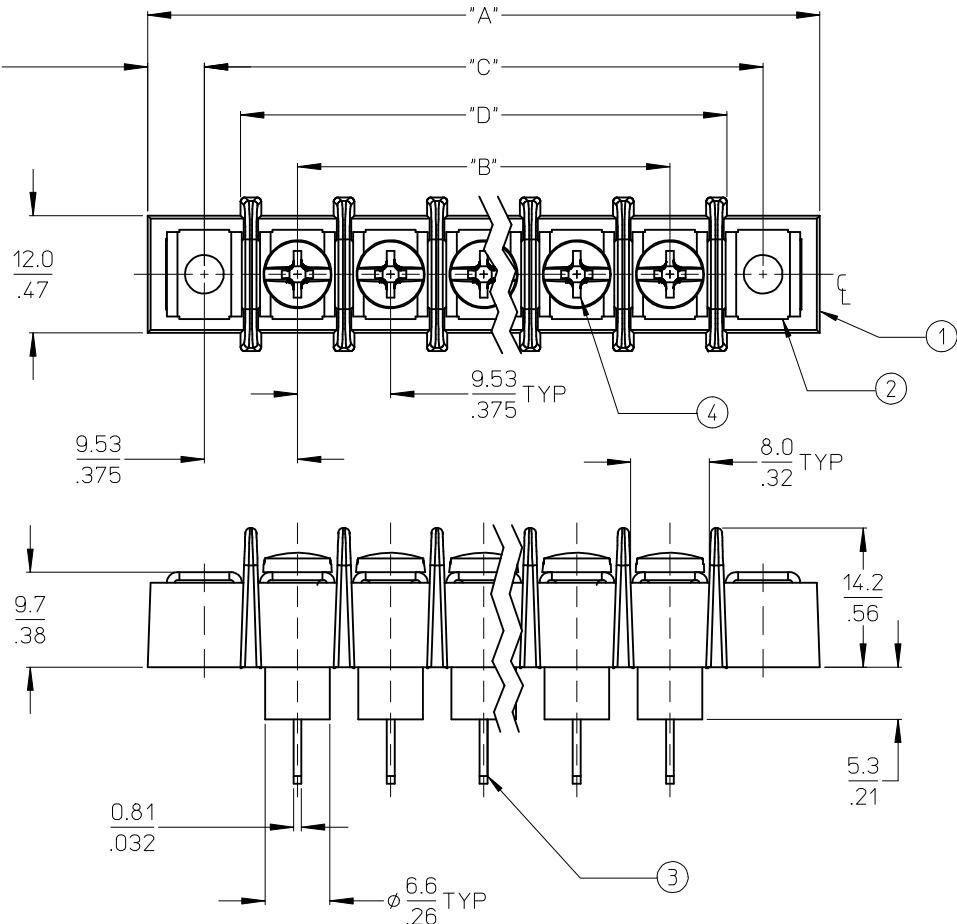


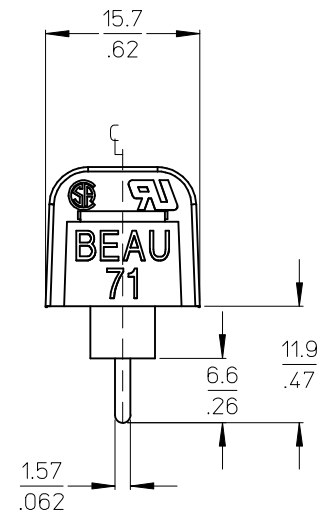
REF. -49 OPT. SCREW  
(WHERE APPLICABLE)



REF. -50 OPT. SCREW  
(WHERE APPLICABLE)



5 CIRCUIT SHOWN



- NOTES:
1. MATERIAL: SEE TABLE.
  2. FINISHES: SEE TABLE.
  3. PRODUCT SPECIFICATION: NOT REQUIRED.
  4. "XX" REFERS TO THE QUANTITY OF CIRCUITS.
  5. ROHS COMPLIANT.

6	XX	SCREW #6-32X.250 PAN PHSL (-50 OPT)	STEEL	ZN, CLEAR CHROMATE
5	XX	SCREW #6-32X.250 BHD PHSL (-49 OPT)	BRASS	NICKEL PLATE
4	XX	SCREW #6-32X.250 BHD PHSL (STD OPT)	STEEL	ZN, CLEAR CHROMATE
3	XX	TERM WW 6C	BRASS	TIN PLATE
2	2	PLATE, MTG.	BRASS	NICKEL PLATE
1	1	INSULATOR, SINGLE ROW, INSUL. BASE	POLYESTER (PBT)	BLACK
ITEM	QTY.	DESCRIPTION	MATERIAL	FINISH

INITIAL RELEASE  
EC NO: WNA2009-0404  
DRAWN: ENC INAS 2009/01/15  
CHKD: CYORK 2009/01/15  
APPR: JMACNEIL 2009/01/16

QUALITY SYMBOLS  
▽=0  
▽=0

GENERAL TOLERANCES (UNLESS SPECIFIED)

	mm	INCH
4 PLACES	± .005	± .0005
3 PLACES	± .013	± .001
2 PLACES	± 0.3	± .012
1 PLACE	± 0.3	± .012

ANGULAR ± 2°

DRAFT WHERE APPLICABLE  
MUST REMAIN  
WITHIN DIMENSIONS

DIMENSION STYLE  
MM/IN

DRAWN BY DATE  
AH/DALGO 2007/02/28

CHECKED BY DATE  
JENCINAS 2007/02/28

APPROVED BY DATE  
JMACNEIL 2007/02/28

MATERIAL NO.

SCALE  
2:1

DESIGN UNITS  
INCH

THIRD ANGLE PROJECTION

TITLE  
9.53MM/.375 INCH SR,  
LOW PROFILE BTS  
INSULATED PC

MOLEX INCORPORATED

DOCUMENT NO.  
SD-38710-006

SHEET NO.  
1 OF 2

THIS DRAWING CONTAINS INFORMATION THAT IS PROPRIETARY TO MOLEX INCORPORATED AND SHOULD NOT BE USED WITHOUT WRITTEN PERMISSION

NO OF CIRCUITS "XX"	DIM "A"		DIM "B"		DIM "C"		DIM "D"		ASSEMBLY	ASSEMBLY	ASSEMBLY
	MM	INCH	MM	INCH	MM	INCH	MM	INCH	MATERIAL NO. STD	MATERIAL NO. -49 OPT	MATERIAL NO. -50 OPT
2	40.1	1.58	9.53	0.375	28.58	1.125	21.1	0.83	387104702	387105002	387105302
3	49.7	1.96	19.05	0.750	38.10	1.500	30.6	1.21	387104703	387105003	387105303
4	59.2	2.33	28.58	1.125	47.63	1.875	40.1	1.58	387104704	387105004	387105304
5	68.7	2.71	38.10	1.500	57.15	2.250	49.7	1.96	387104705	387105005	387105305
6	78.2	3.08	47.63	1.875	66.68	2.625	59.2	2.33	387104706	387105006	387105306
7	87.8	3.46	57.15	2.250	76.20	3.000	68.7	2.71	387104707	387105007	387105307
8	97.3	3.83	66.68	2.625	85.73	3.375	78.2	3.08	387104708	387105008	387105308
9	106.8	4.21	76.20	3.000	95.25	3.750	87.8	3.46	387104709	387105009	387105309
10	116.3	4.58	85.73	3.375	104.78	4.125	97.3	3.83	387104710	387105010	387105310
11	125.9	4.96	95.25	3.750	114.30	4.500	106.8	4.21	387104711	387105011	387105311
12	135.4	5.33	104.78	4.125	123.83	4.875	116.3	4.58	387104712	387105012	387105312
13	144.9	5.71	114.30	4.500	133.35	5.250	125.9	4.96	387104713	387105013	387105313
14	154.4	6.08	123.83	4.875	142.88	5.625	135.4	5.33	387104714	387105014	387105314
15	164.0	6.46	133.35	5.250	152.40	6.000	144.9	5.71	387104715	387105015	387105315
16	173.5	6.83	142.88	5.625	161.93	6.375	154.4	6.08	387104716	387105016	387105316
17	183.0	7.21	152.40	6.000	171.45	6.750	164.0	6.46	387104717	387105017	387105317
18	192.5	7.58	161.93	6.375	180.98	7.125	173.5	6.83	387104718	387105018	387105318
19	202.1	7.96	171.45	6.750	190.50	7.500	183.0	7.21	387104719	387105019	387105319
20	211.6	8.33	180.98	7.125	200.03	7.875	192.5	7.58	387104720	387105020	387105320
21	221.1	8.71	190.50	7.500	209.55	8.250	202.1	7.96	387104721	387105021	387105321
22	230.6	9.08	200.03	7.875	219.08	8.625	211.6	8.33	387104722	387105022	387105322
23	240.2	9.46	209.55	8.250	228.60	9.000	221.1	8.71	387104723	387105023	387105323
24	249.7	9.83	219.08	8.625	238.13	9.375	230.6	9.08	387104724	387105024	387105324
25	259.2	10.21	228.60	9.000	247.65	9.750	240.2	9.46	387104725	387105025	387105325
26	268.7	10.58	238.13	9.375	257.18	10.125	249.7	9.83	387104726	387105026	387105326

SEE SHEET ONE EC NO: WNA2009-0404 DRAWN: JENCINAS 2009/01/15 CHKD: C YORK 2009/01/15 APPR: JMACNEIL 2009/01/16	DESCRIPTION A	QUALITY SYMBOLS ▽=0 ▽=0	GENERAL TOLERANCES (UNLESS SPECIFIED) mm INCH 4 PLACES ± --- ± --- 3 PLACES ± --- ± .005 2 PLACES ± 0.13 ± .01 1 PLACE ± 0.3 ± --- ANGULAR ± 2°	DIMENSION STYLE MM/IN DRAWN BY DATE AHIDALGO 2007/02/28 CHECKED BY DATE JENCINAS 2007/02/28 APPROVED BY DATE JMACNEIL 2007/02/28	SCALE 2:1 DESIGN UNITS INCH THIRD ANGLE PROJECTION	TITLE 9.53MM/.375 INCH SR, LOW PROFILE BTS INSULATED PC	MATERIAL NO. SEE CHART	DOCUMENT NO. SD-38710-006	SHEET NO. 2 OF 2
		DRAFT WHERE APPLICABLE MUST REMAIN WITHIN DIMENSIONS	THIS DRAWING CONTAINS INFORMATION THAT IS PROPRIETARY TO MOLEX INCORPORATED AND SHOULD NOT BE USED WITHOUT WRITTEN PERMISSION						
		MOLEX INCORPORATED							
		MOLEX INCORPORATED							