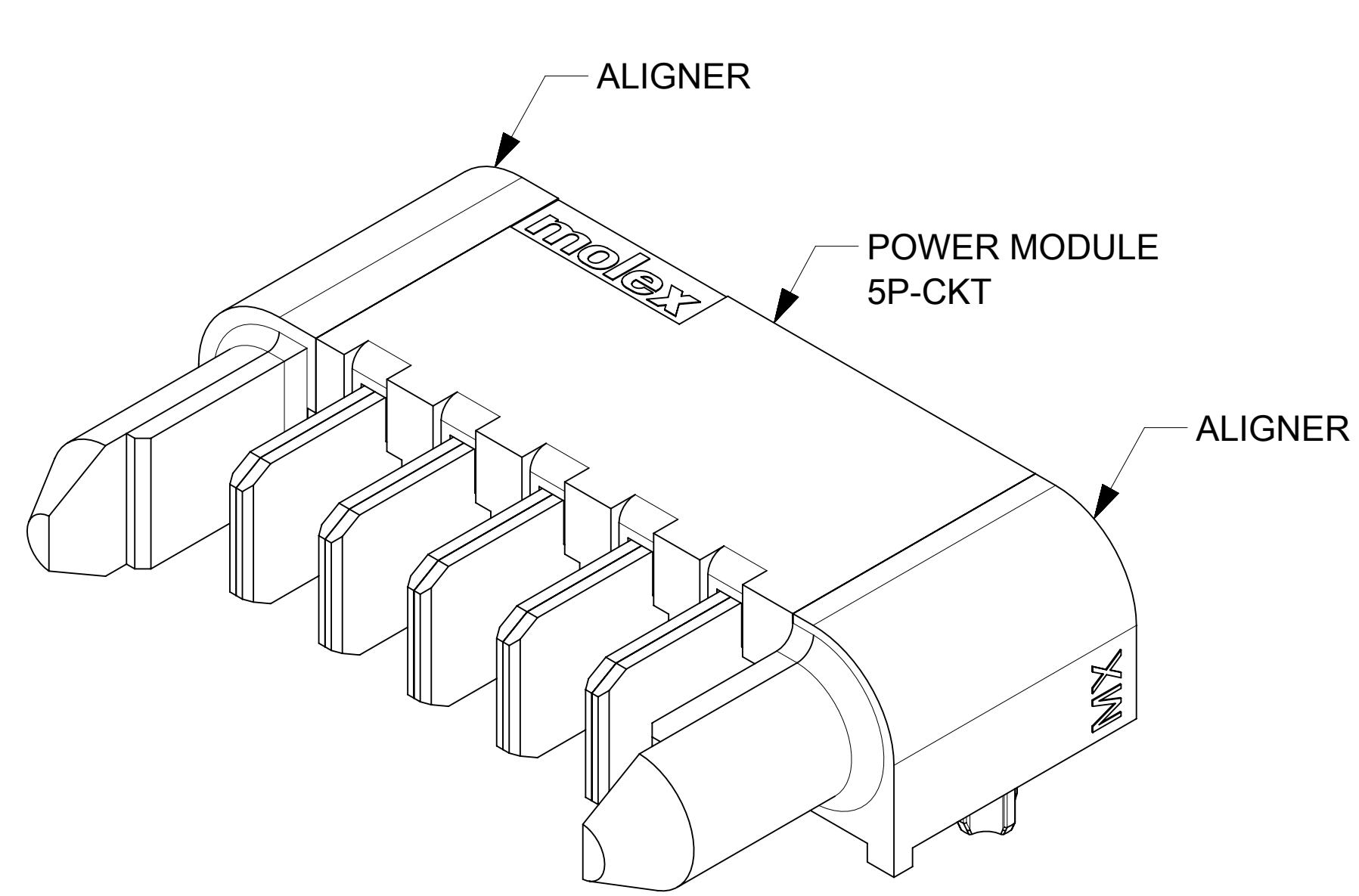


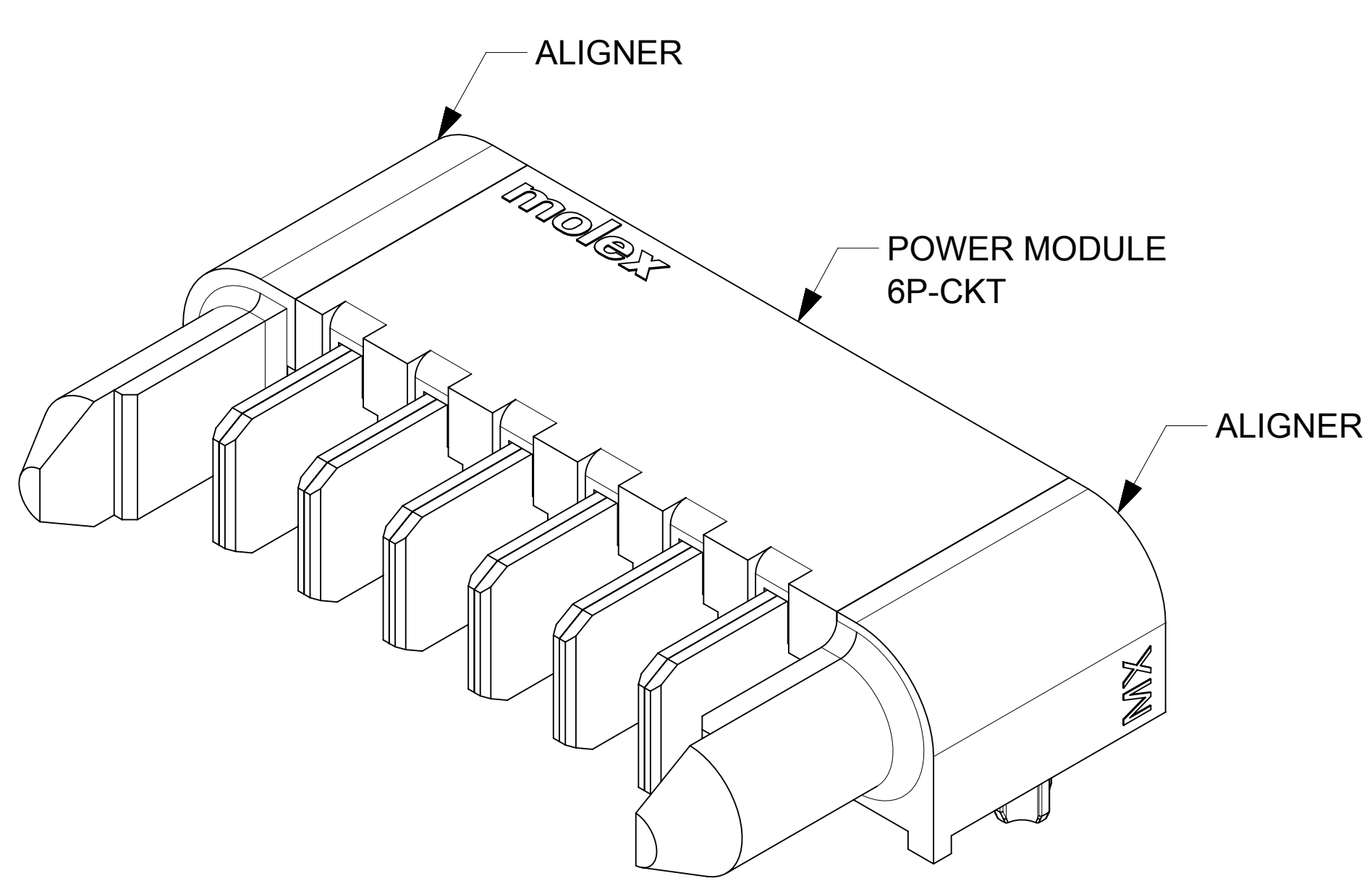
- NOTES:
- MATERIAL:
 - HOUSINGS: LCP UL94, V-0, COLOR : BLACK
 - TERMINALS: HIGH CONDUCTIVITY COPPER ALLOY
 - PLATING: 1.27 MICROMETER (50 MICROINCH) NICKEL OVERALL WITH 2.54 MICROMETER (100 MICROINCH) SELECTIVE TIN ON TAILS AND 0.762 MICROMETER (30 MICROINCH) SELECTIVE GOLD ON CONTACT AREA
 - PACKAGING: ASSEMBLIES TO BE TRAY PACKED PER PACKAGING SPEC: 464371001-PK
 - PLATED THRU HOLE SIZE, REFER TO PS-46436-100 FOR DETAILS
 - PRODUCT SPEC: PS-46436-100
 - PRODUCT TO MEET RoHS REQUIREMENTS
 - ASSEMBLY MATES TO MOLEX RECEPTACLE ASSEMBLY P/N 46562-**** AND 46436-**** (SEE TABLE IN SHEET 2)
 - TAIL DESIGN: COMPLIANT PINS
 - POWER CONTACTS ARE LUBRICATED.
 - APPLICATION SPEC: AS-46436-100.
 - MOLEX LOGO TO BE LOCATED APPROXIMATELY AS SHOWN.

THIS DRAWING CONTAINS INFORMATION THAT IS PROPRIETARY TO MOLEX ELECTRONIC TECHNOLOGIES, LLC AND SHOULD NOT BE USED WITHOUT WRITTEN PERMISSION									
DIMENSION UNITS	SCALE	CURRENT REV DESC: ADDED ISOMETRIC VIEWS							
mm	4:1								
GENERAL TOLERANCES (UNLESS SPECIFIED)									
ANGULAR TOL	± 0.5°								
4 PLACES	±	EC NO: 689821							
3 PLACES	±	DRWN: HARSHG		2021/12/13					
2 PLACES	± 0.13	CHK'D: GJEEVANSURES		2021/12/22					
1 PLACE	± 0.25	APPR: HTHYAGARAJ		2022/02/14					
0 PLACES	±	INITIAL REVISION:							
DRAFT WHERE APPLICABLE MUST REMAIN WITHIN DIMENSIONS		DRWING		SERIES					
		D-SIZE		46437					
		MATERIAL NUMBER		CUSTOMER					
		SEE TABLE		GENERAL MARKET					
		DOCUMENT NUMBER		DOC TYPE		DOC PART		REVISION	
		464379310		PSD		000		A1	
		SHEET NUMBER		1 OF 3					

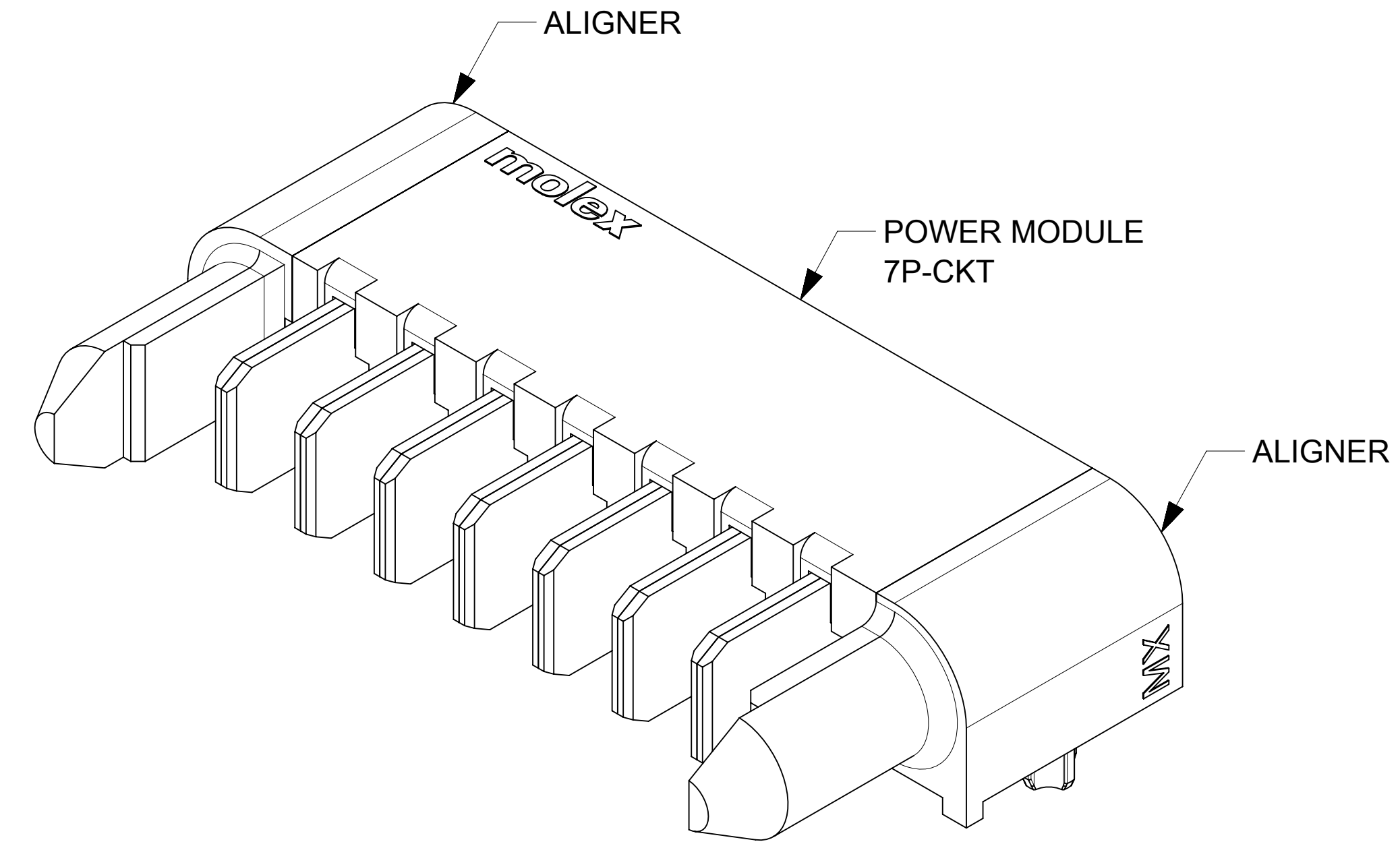
RECOMMENDED PCB LAYOUT AND KEEP-OUT ZONE FOR G-(1P TO 10P)-G



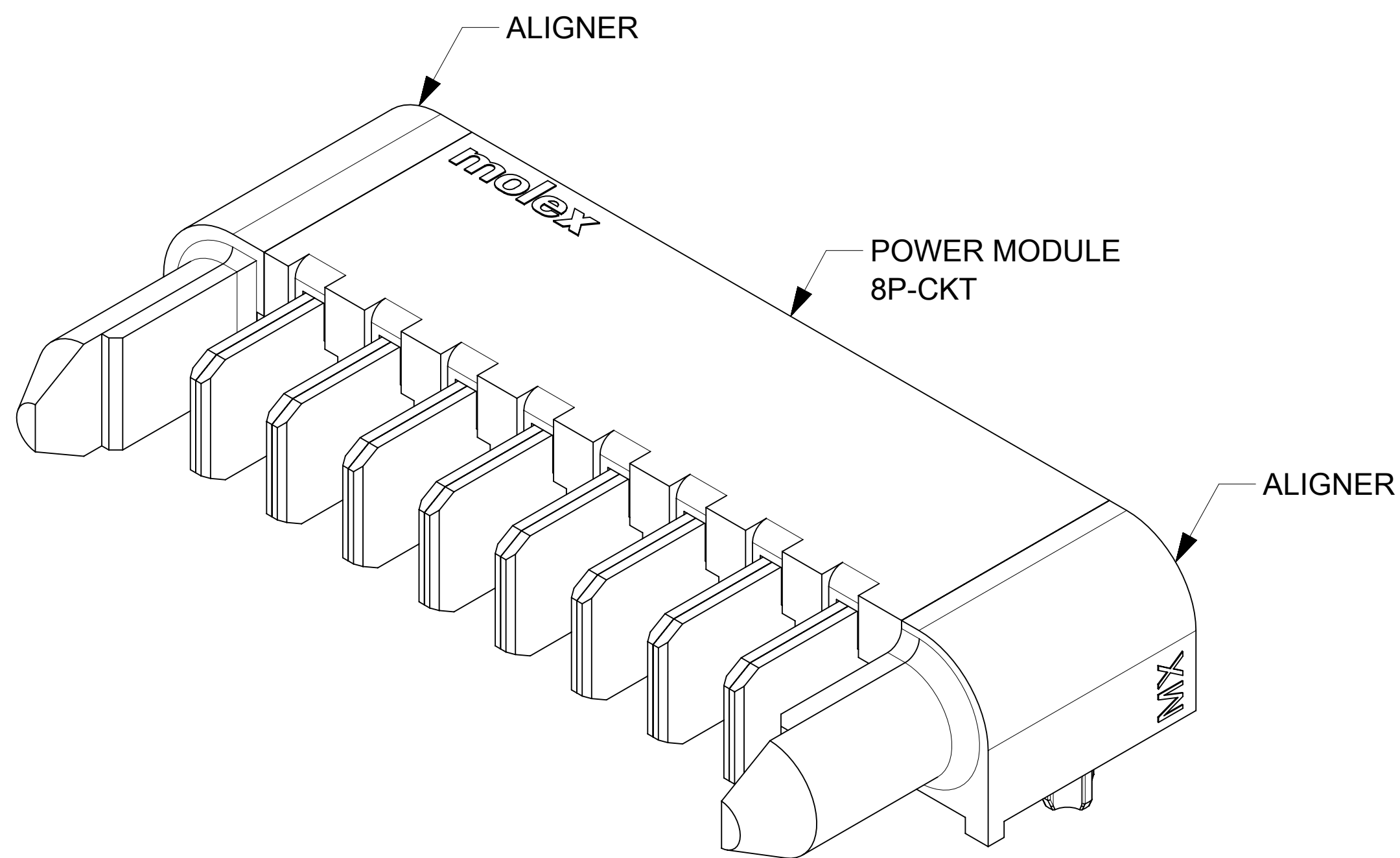
P/N : 46437-9305 (G-5P-G)



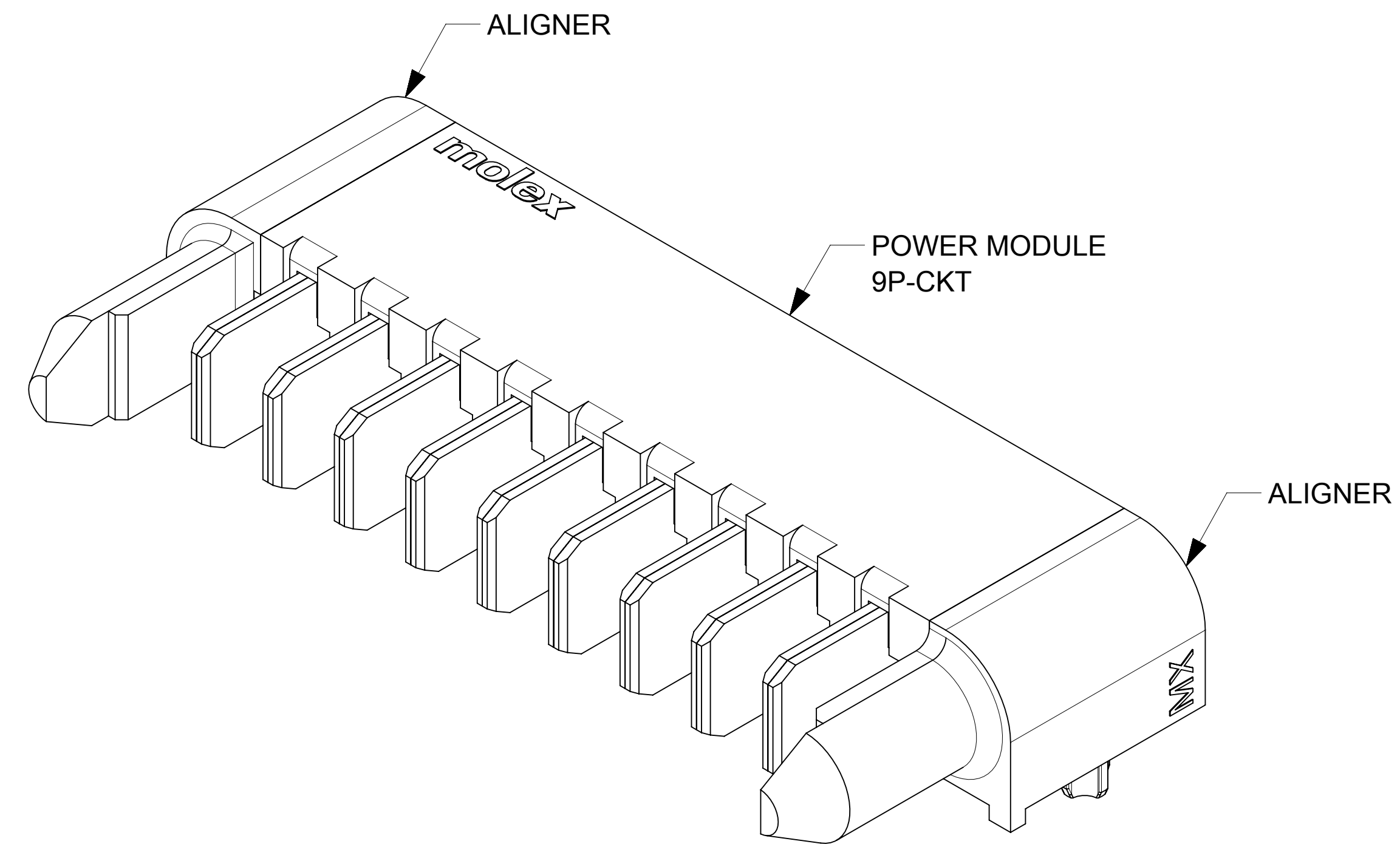
P/N : 46437-9306 (G-6P-G)



P/N : 46437-9307 (G-7P-G)



P/N : 46437-9308 (G-8P-G)



P/N : 46437-9309 (G-9P-G)

THIS DRAWING CONTAINS INFORMATION THAT IS PROPRIETARY TO MOLEX ELECTRONIC TECHNOLOGIES, LLC AND SHOULD NOT BE USED WITHOUT WRITTEN PERMISSION														
DIMENSION UNITS		SCALE		CURRENT REV DESC: ADDED ISOMETRIC VIEWS										
mm		4:1												
GENERAL TOLERANCES (UNLESS SPECIFIED)														
ANGULAR TOL ± 0.5°														
4 PLACES ±				EC NO: 689821										
3 PLACES ±				DRWN: HARSHG		2021/12/13								
2 PLACES ± 0.13				CHK'D: GJEEVANSURES		2021/12/22								
1 PLACE ± 0.25				APPR: HTHYAGARAJ		2022/02/14								
0 PLACES ±				INITIAL REVISION:										
DRAFT WHERE APPLICABLE				DRWN: KSUTAR		2021/08/11								
MUST REMAIN WITHIN DIMENSIONS				APPR: HTHYAGARAJ		2021/10/21								
THIRD ANGLE PROJECTION		DRAWING		SERIES										
		D-SIZE		46437										
MATERIAL NUMBER				CUSTOMER										
464379310				GENERAL MARKET										
DOCUMENT NUMBER		DOC TYPE		DOC PART		REVISION								
464379310		PSD		000		A1								
<table border="1"> <tr> <td>DOCUMENT STATUS</td> <td>P1</td> <td>RELEASE DATE</td> <td>2022/02/14</td> <td>09:02:02</td> </tr> </table>										DOCUMENT STATUS	P1	RELEASE DATE	2022/02/14	09:02:02
DOCUMENT STATUS	P1	RELEASE DATE	2022/02/14	09:02:02										

molex

G-*P-G
R/A PLUG ASSY - TEN60 POWER FAMILY

PRODUCT CUSTOMER DRAWING

464379310 PSD 000 A1

SEE TABLE GENERAL MARKET 3 OF 3