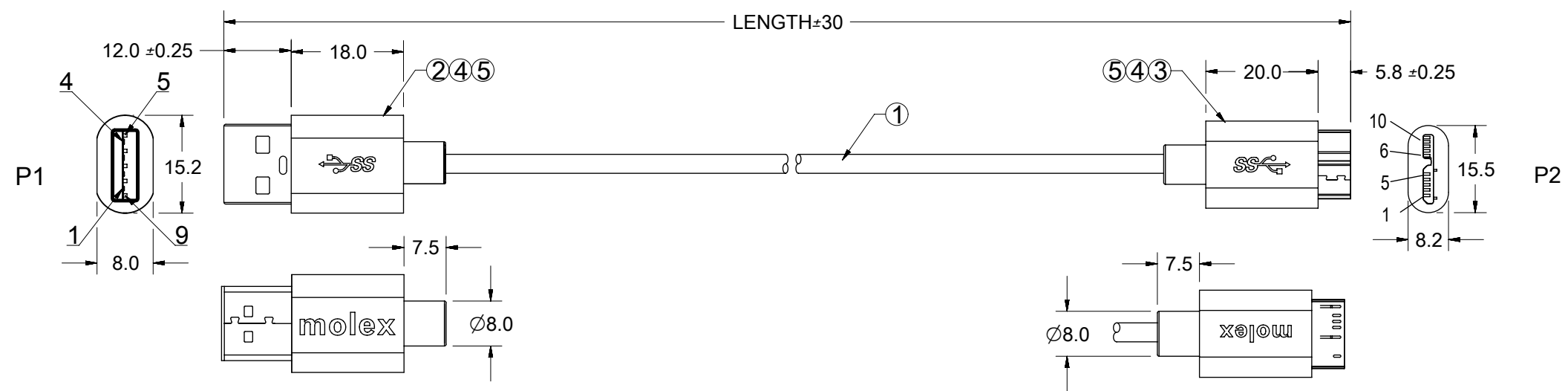


REVISIONS				
EC NO	DATE	REV	DESCRIPTION	CHANGER
CY19-5238	2019/4/8	C	CHANGE CABLE OD FROM 4.5 TO 5.5	CISSY
CY19-5490	2019/6/17	D	DELETE NOTE 3.3	CISSY
CY19-5566	2019/7/13	E	ADD PART NO.	CISSY



PART NO.	LENGTH	DESCRIPTION	CABLE OD
687890041	L=1000MM	USB3.0 A to USB3.0 MicroB L=1M	30+30+24,OD5.5MM
687890042	L=1500MM	USB3.0 A to USB3.0 MicroB L=1.5M	28+28+22,OD5.5MM
687890043	L=2000MM	USB3.0 A to USB3.0 MicroB L=2M	28+28+22,OD5.5MM
687890045	L=500MM	USB3.0A TO USB3.0 MICRO B L=0.5M	30+30+24,OD5.5MM

WIRING CHART			
P1	SIGNAL NAME	WIRE COLOR	P2
1	VBUS	RED	1
2	D-	WHITE	2
3	D+	GREEN	3
4	GND	BLACK	5
5	STD_SSRX-	BLUE	6
6	STD_SSRX+	YELLOW	7
7	GND_DRAIN	GND_DRAIN	8
8	STD_SSTX-	PURPLE	9
9	STD_SSTX+	ORANGE	10
SHELL	SHIELD	BRAID	SHELL

ITEM	DESCRIPTION	QTY'
5	OUTMOLDED PVC BLACK	A/R
4	INNER MOLDED LDPE	A/R
3	USB 3.0MIRCO B TYPE PLUG, CONTACTS: GOLD 1u" PLATED,SHELL: NICKEL PLATED,	1
2	USB3.0 A TYPE PLUG, CONTACTS: GOLD 1u" PLATED,SHELL: NICKEL PLATED,	1
1	USB3.0 CABLE JACKET BLACK	1

NOTE:

- OVERMOLDING SPECIFICATION:
 - INNER MOLDING: PE RESIN
 - OUTER MOLDING: PVC RESIN
- APPLICATION CONDITION
 - WORKING TEMPERATURE: 0°--- +50°
 - STORAGE TEMPERATURE: -20°--- +60°
- ELECTRICAL PERFORMACNE
 - CURRENT RATING:1.8A FOR POWER WIRE/ 0.25A FOR SIGNAL WIRE
 - VOLTAGE RATING:30V AC
- THIS PRODUCT MUST MEET THE EU RoHS CHEMICAL SUBSTANCES SPECIFICATION FOR PRODUCTS (2011/65/EU).

SYMBOLS DIMENSION UNITS: mm SCALE: 1:1 GENERAL TOLERANCES (UNLESS SPECIFIED) ANGULAR TOL: ± ° 4 PLACES: ± 3 PLACES: ± 2 PLACES: ± 0.25 1 PLACE: ± 0.5 0 PLACES: ± DRAFT WHERE APPLICABLE MUST REMAIN WITHIN DIMENSIONS THIRD ANGLE PROJECTION DRAWING SERIES: A4-SIZE 201241	THIS DRAWING CONTAINS INFORMATION THAT IS PROPRIETARY TO MOLEX ELECTRONIC TECHNOLOGIES, LLC AND SHOULD NOT BE USED WITHOUT WRITTEN PERMISSION CURRENT REV DESC: EC NO: 620785 DRWN: ZZXIAN 2019/07/08 CHK'D: CWANG49 2019/07/17 APPR: LHLIU 2019/07/17 INITIAL REVISION: DRWN: ZZXIAN 2018/08/16 APPR: LHLIU 2018/09/14		
	USB3.0 A TO USB3.0 MICRO B PRODUCT CUSTOMER DRAWING		DOCUMENT NUMBER: 2012410606 DOC TYPE: PSD DOC PART: 000 REVISION: E

DOCUMENT STATUS	P1	RELEASE DATE	2019/07/17	03:12:25
-----------------	----	--------------	------------	----------