

NOTES :

1- MATERIAL:

-HOUSING: LCP FIBER GLASS FILLED UL 94-V0 COLOR BLACK.
 -TERMINAL: PHOSPHOR BRONZE

PLATING :

BASE FINISH: NICKEL
 CONTACT SURFACE FINISH:
 GOLD,
 OR
 GOLD FLASH OVER PALLADIUM NICKEL.

EXCEEDS PRODUCT REQUIREMENTS BASED ON PS-85506-001

2- JACK FOR MATING WITH IEC 60603-7 AND TIA-1096-A PLUGS (90075 MOLEX SERIES).

3- PRODUCT SPECIFICATION PS-85506-001

4- MANUFACTURING I.D. CAN BE MG, MXF OR MXI.

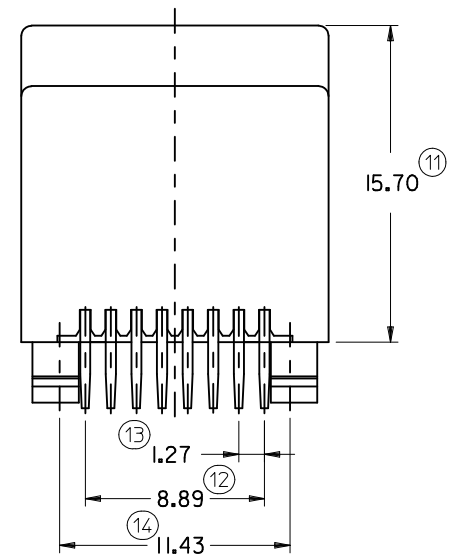
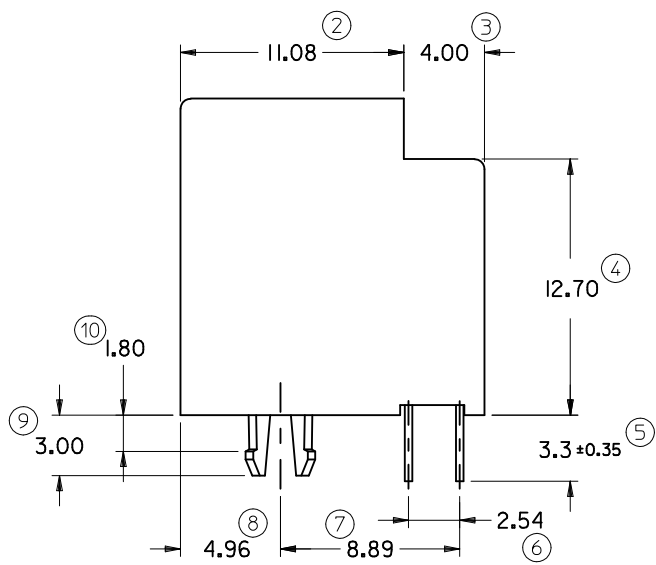
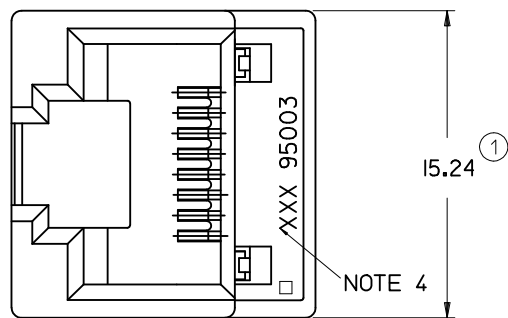
5- PACKAGING SPECIFICATION PK-95003 SHEET 1: (TRAY PACKAGING).

6- EXCEEDS CATEGORY 5E PERFORMANCE.

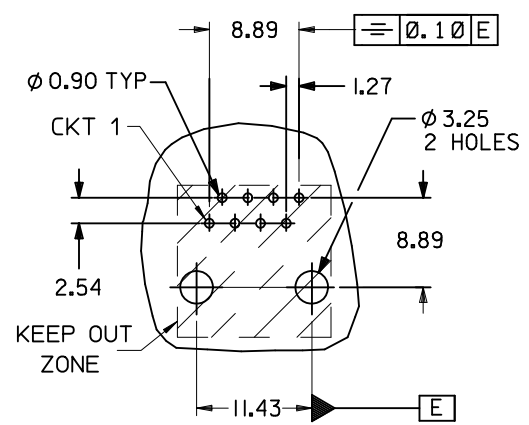
7- APPLICATION SPECIFICATION: AS-85513-001

LAST INSPECTION NUMBER: 14

PART No.
85511-5001



P.C.B. MOUNTING PATTERN
(see from component side)
SCALE 2:1



ALL DIMENSIONS REF DIMENSIONS

REMOVED PLATING OPTION EC NO: IPG2012-0699 DRW:DBYRMS 2012/04/03 CHKD:MSHAHAN 2012/04/17 APPR:EFOLAN 2012/06/28	QUALITY SYMBOLS	GENERAL TOLERANCES (UNLESS SPECIFIED)	DIMENSION STYLE	SCALE	DESIGN UNITS	THIRD ANGLE PROJECTION	
	▽=0 ∠=0	mm INCH	MM ONLY	4:1	METRIC		
		4 PLACES ± --- ± --- 3 PLACES ± --- ± --- 2 PLACES ± 0.15 ± --- 1 PLACE ± 0.25 ± ---	DRAWN BY DATE HB 99/08/18	TITLE HIGH SPEED MODULAR JACK TOP ENTRY LOW PROFILE THROUGH HOLE 8 CKTS			
		ANGULAR ± 1/2°	CHECKED BY DATE ER 99/08/18	MOLEX INCORPORATED			
		DRAFT WHERE APPLICABLE MUST REMAIN WITHIN DIMENSIONS	MATERIAL NO.	DOCUMENT NO.	SHEET NO.		
			SEE CHART	SD-85511-501	1 OF 1		
			THIS DRAWING CONTAINS INFORMATION THAT IS PROPRIETARY TO MOLEX INCORPORATED AND SHOULD NOT BE USED WITHOUT WRITTEN PERMISSION				