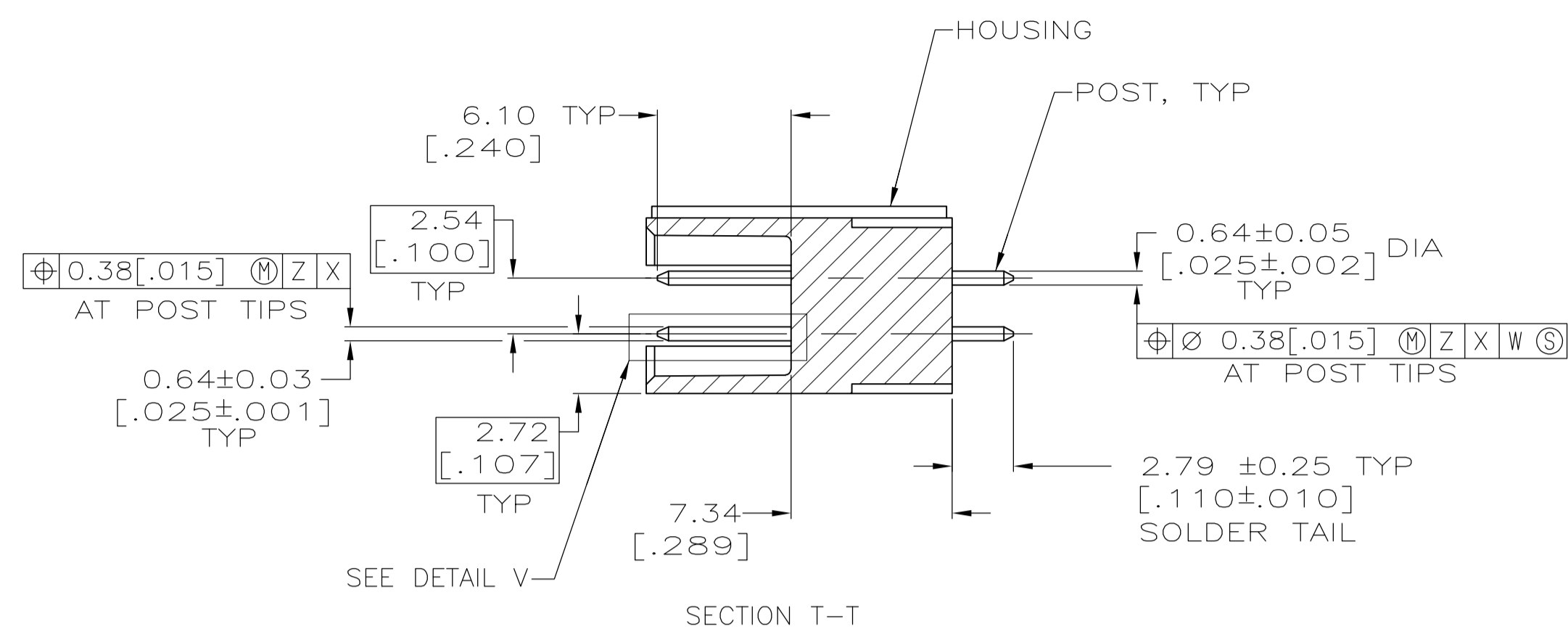
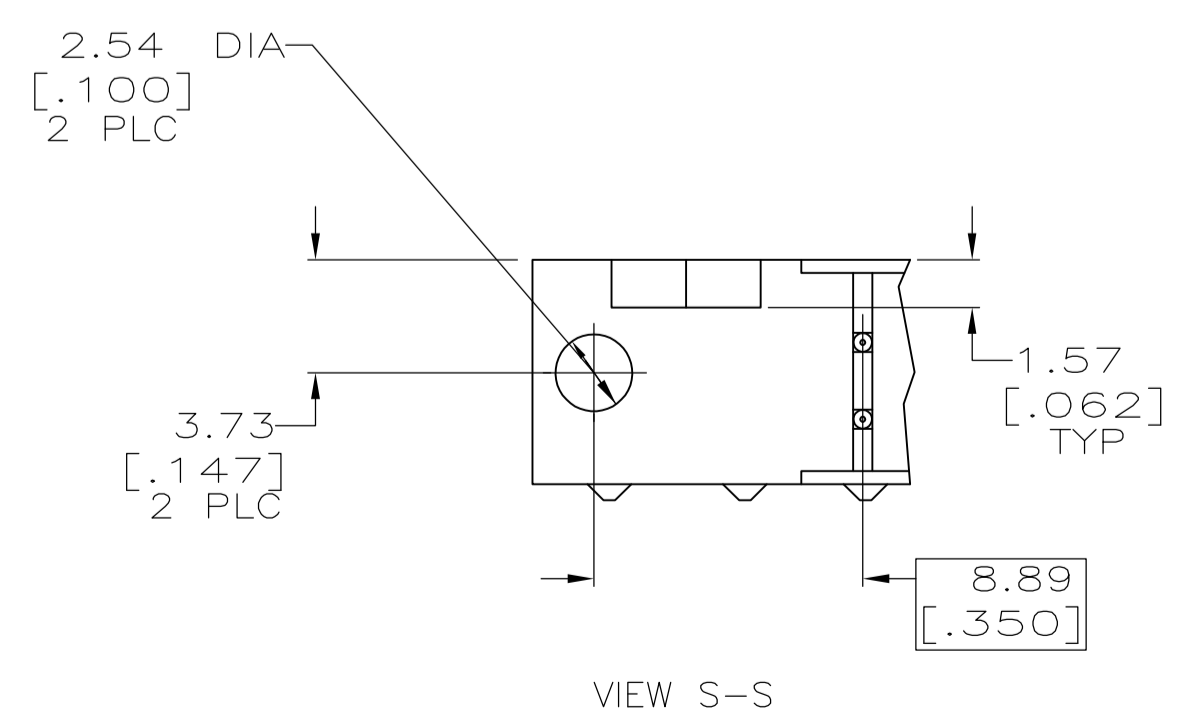
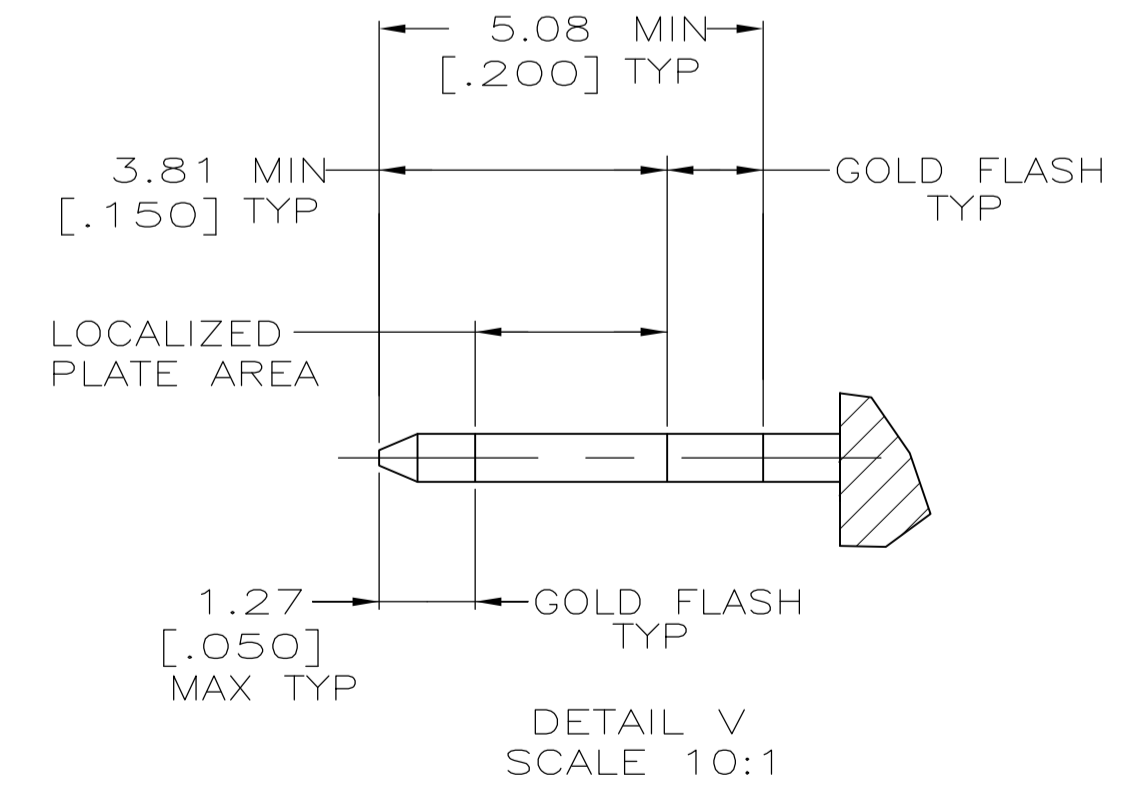
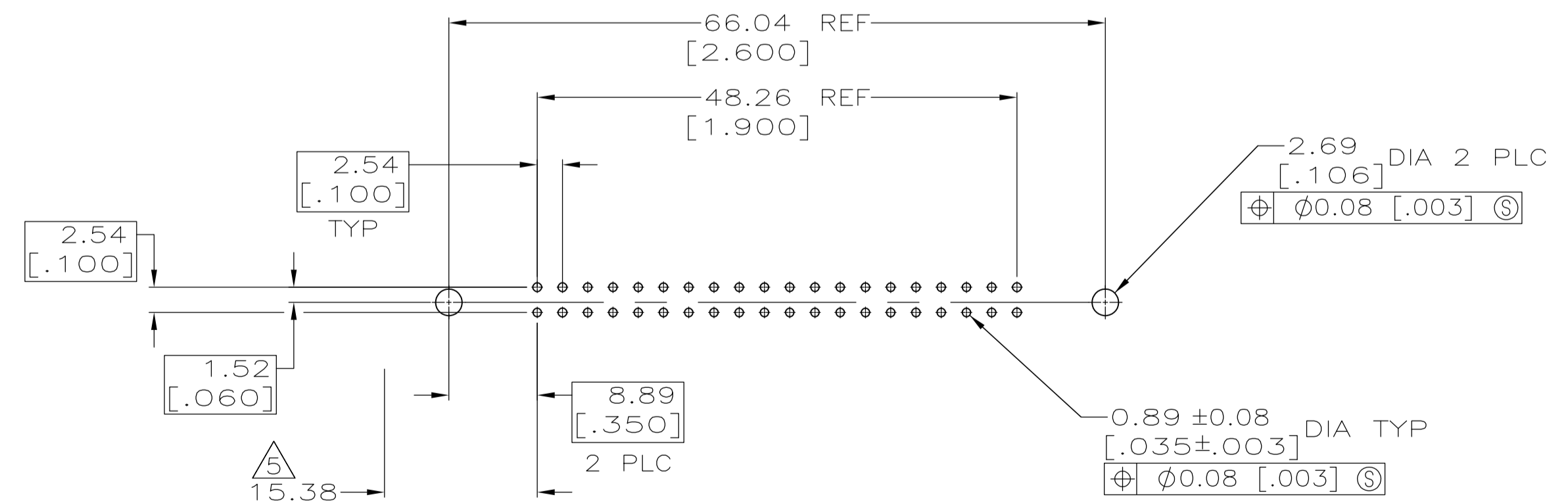
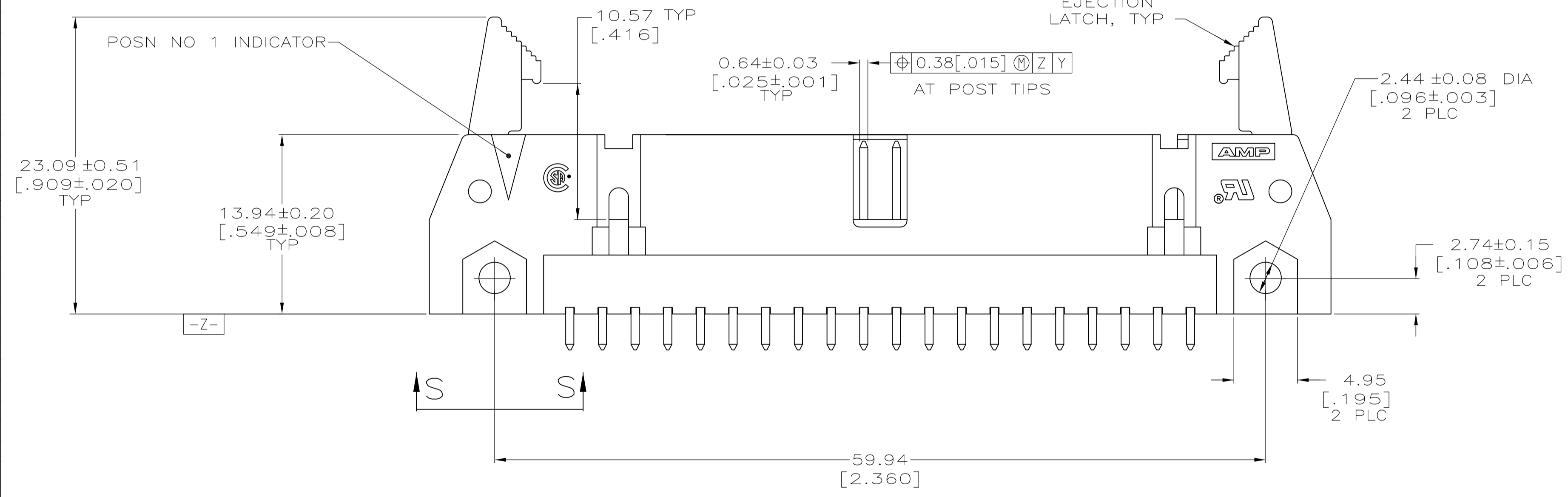


EJECTION LATCHES OMITTED IN THIS VIEW FOR CLARITY



- 1 MOLDED PARTS: GLASS FILLED NYLON OR POLYESTER, 94V-0 RATED, BLACK. POSTS: PHOSPHOR BRONZE OR BRASS.
- 2 POSTS: GOLD FLASH OVER PALLADIUM-NICKEL PLATE, 0.38µm [.000015] MIN TOTAL ON THE LOCALIZED PLATE AREA, 2.54µm [.000100] MIN TIN-LEAD PLATE ON THE SOLDER-TAIL, 1.27µm [.000050] MIN NICKEL UNDERPLATE ON THE ENTIRE POST. OR 0.38µm [.000015] MIN GOLD PLATE ON THE LOCALIZED PLATE AREA, 2.54µm [.000100] MIN TIN-LEAD PLATE ON THE SOLDER-TAIL, 1.27µm [.000050] MIN NICKEL UNDERPLATE ON THE ENTIRE POST.
- 3 COORDINATE DIMENSION APPLIES FROM BASIC LOCATION.
- 4. RECOMMENDED PRINTED CIRCUIT BOARD THICKNESS IS 1.57 [.062].
- 5. DISTANCE REQUIRED BY EJECTION LATCHES IN THE OPEN POSITION.
- 6. POST 40 OMITTED.



40	111187-9
NO OF POSN	PART NUMBER

THIS DRAWING IS A CONTROLLED DOCUMENT.		DIN M. MORRIS 070CT98		Tyco Electronics Corporation	
DIMENSIONS: mm [INCHES]		CHK: C. REIFSNYDER 070CT98		Harrisburg, PA 17105-3608	
TOLERANCES UNLESS OTHERWISE SPECIFIED:		APVD: -		NAME: -	
0 PLC	± -	PRODUCT SPEC		HEADER ASSY, UNIVERSAL, AMP-LATCH	
1 PLC	± -	APPLICATION SPEC		108-40018	
2 PLC	± 0.13[.005]	SIZE		A1	
3 PLC	± -	CAGE CODE		00779	
4 PLC	± -	DRAWING NO		111187	
ANGLES	± -	WEIGHT		-	
MATERIAL	1	CUSTOMER DRAWING		SCALE 4:1 SHEET 1 OF 1 REV F	