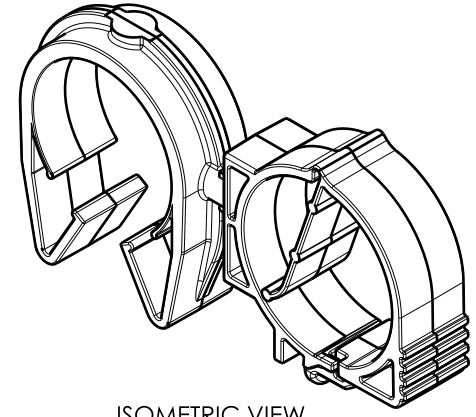
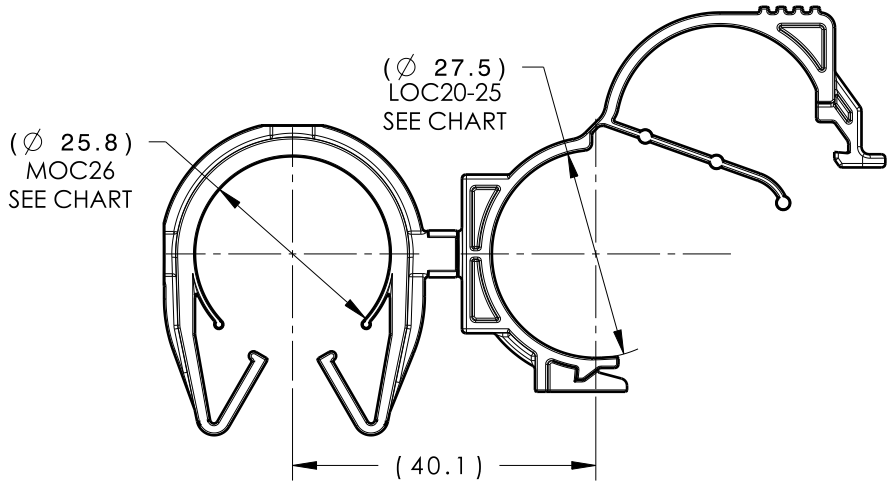
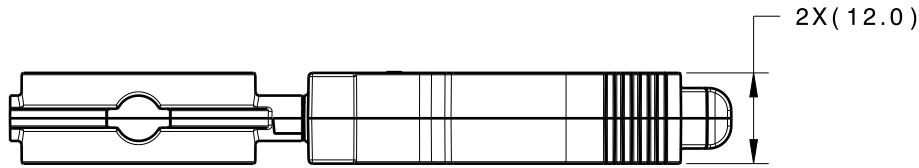
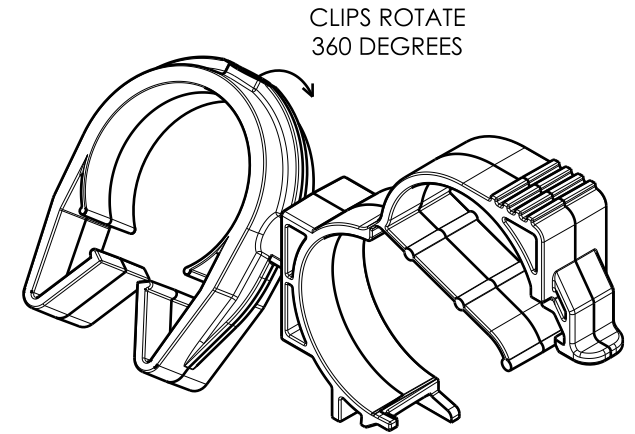


Revision Level			Revision Record	Changed	Date	Approved	Date
Drawing	State	Part					
02.1	Design Release	-	SEE ECN# 014926	EJH	2/19/19	TAT	2/20/19



ISOMETRIC VIEW CLOSED



CLIPS ROTATE 360 DEGREES

ISOMETRIC VIEW OPEN

TYPE	MOC26F
HARNESS	23.0MM-28.5MM
HOSE	23.0MM-28.5MM
HARD PIPE/TUBE	25.9MM-29.0MM

\*RECOMMENDED SIZES MAY DIFFER DEPENDING ON THE APPLICATION , PRODUCT REQUIREMENTS AND MATERIALS USED

\*\*PATENT PENDING 29/582,271

02.1

02.1

02.1

GLOBAL PART DESCRIPTION	MOC26**			LOC20-25		
	DRAWING	MATERIAL	COLOR	DRAWING	MATERIAL	COLOR
MOC26LOC20-25-PA66HIRHSUV-BK	16-0325-000-CSU	PA66HIRHSUV	BLACK	12-0631-051-CSU	PA66HIRHSUV	BLACK

Material  
SEE CHART  
COLOR: SEE CHART

Units millimeters  
Tolerance defined on each dimension

The copyright of this drawing is reserved by HellermannTyton. It is issued on condition that it is not reproduced, copied or disclosed to a third party, either wholly or in part, without the consent of HellermannTyton.

Drawn TAT 5/15/17  
Approved EJH 5/15/17  
**HellermannTyton**  
North America  
Email: corp@htamericas.com  
Web: www.hellermann.tyton.com

Article/Type-No MOC26LOC20-25  
Title 26MM MOC COUPLED TO 20-25MM LOC  
Drawing-No PRODUCTION : Phase  
**16-0327-264-CSU**

Scale 1:1  
Project Number 16-0327  
Format AH  
Sheet 1/1