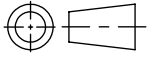
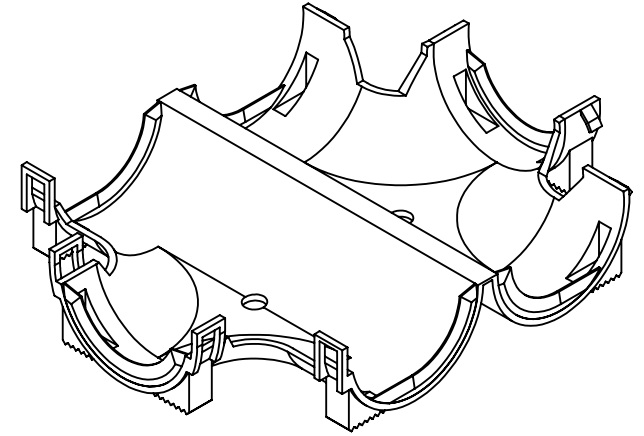
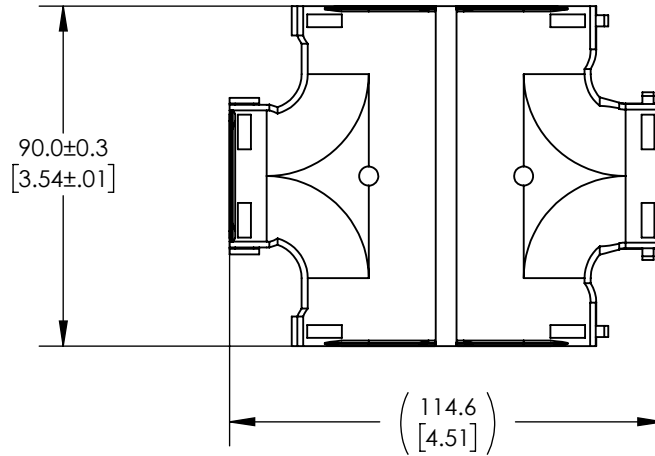


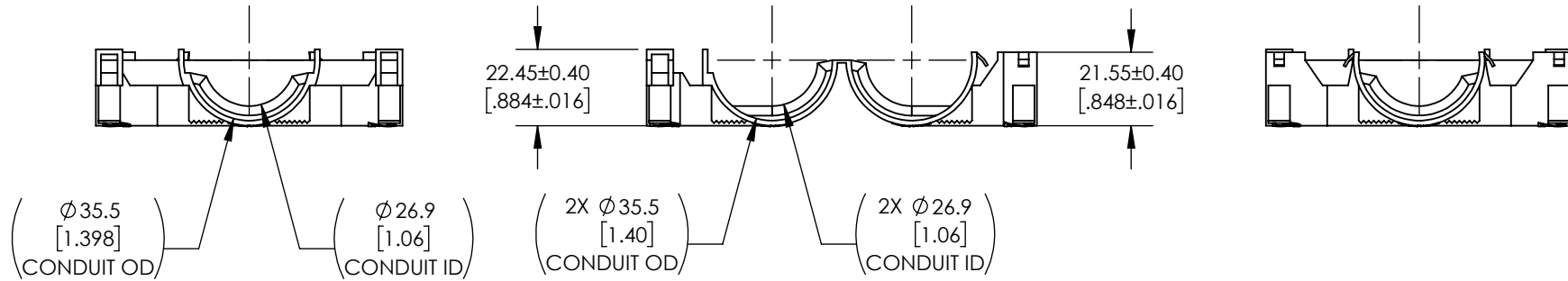
SW



Revision level			Revision Record	Changed	Date	Approved	Date
Drawing	State	Part					
00.2	Design Release	-	SEE ECN# 014605	CTF	08/28/2018	KAC	08/28/2018



ISOMETRIC VIEW
SCALE 1 : 1.5



GLOBAL PART DESCRIPTION	SUPERCEDES DCS PART NUMBER	FOR CONDUIT ID
CTHC-T101010-PP-BK	12052471	25.0 [0.98]

Material
PP IM BLK PER DCS
M2037001

Units: **millimeters**
Dimension without tolerances details to:
.xxx = ±.013
.xx = ±.13
.x = ±.3
None = ±.8
∠ = ±0.5°
Dimension Formatted mm/[in]

The copyright of this drawing is reserved by HellermannTyton. It is issued on condition that it is not reproduced, copied, or disclosed to a third party, either wholly or in part, without the consent of HellermannTyton.

Drawn	CTF	08/28/2018
Approved	KAC	08/28/2018
HellermannTyton		
North America Email: corp@htamericas.com Web: www.hellermann.tyton.com		

Article/Type-No	CTHC-T101010
Title	LOOM TUBING T FITTING
Drawing-No	PRODUCTION : Phase 18-2011-001-CSU

Scale	1:2
Project Number	PRP 18-2011
Format	AH
Sheet	1/1