

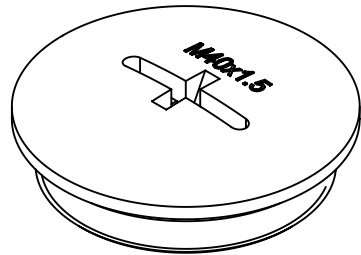
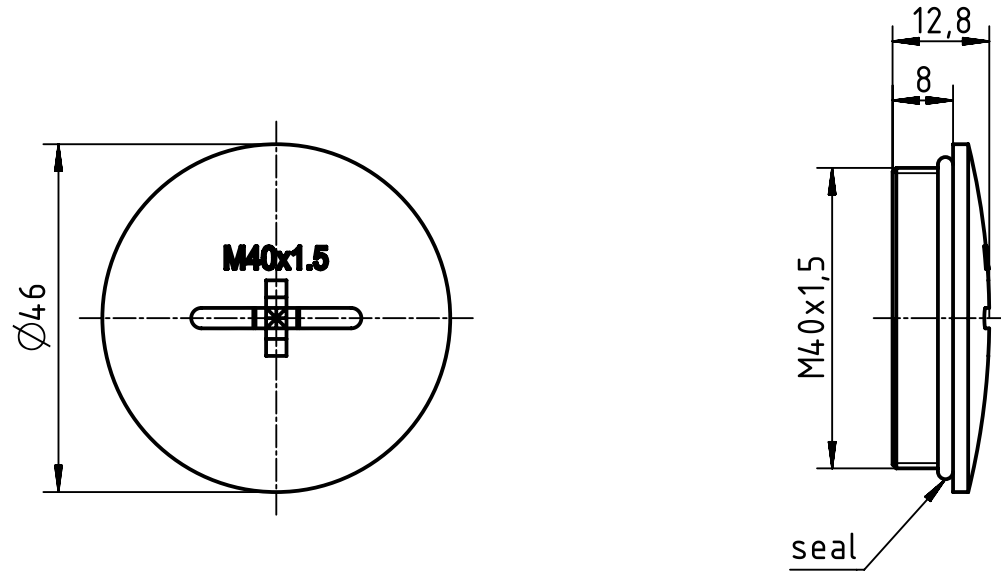
1 2 3 4 5 6

A

B

C

D



	All Dimensions in mm Original Size DIN A4		Scale 1:1	Free size tol.		Ref.		
						Sub.		
	All rights reserved		Created by FINKEV	Inspected by RIEPE	Standardisation RUETERA	Date 2017-05-16	State Final Release	
	Department EL PD - DE		Title Blanking piece M40x1.5 plastic + sealing				Doc-Key / ECM-Nr. 100195740/UGD/002/B 500000119285	
HARTING Electric GmbH & Co. KG D-32339 Espelkamp			Type TB	Number 19 00 000 5173			Rev. B	Page 1/1