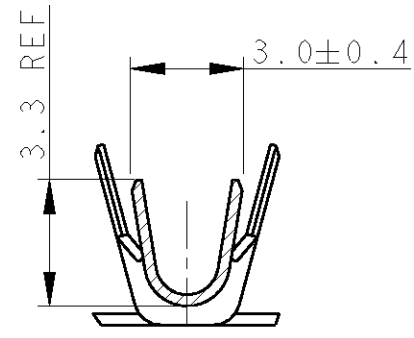
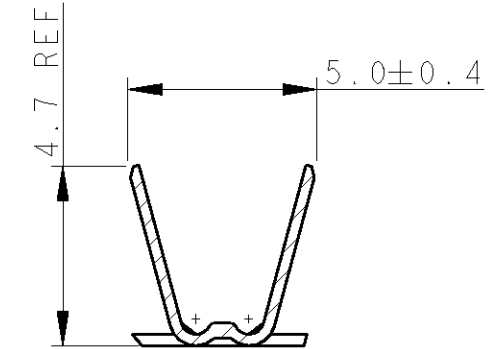


THIS DRAWING IS A CONTROLLED DOCUMENT. DWG NO C345261

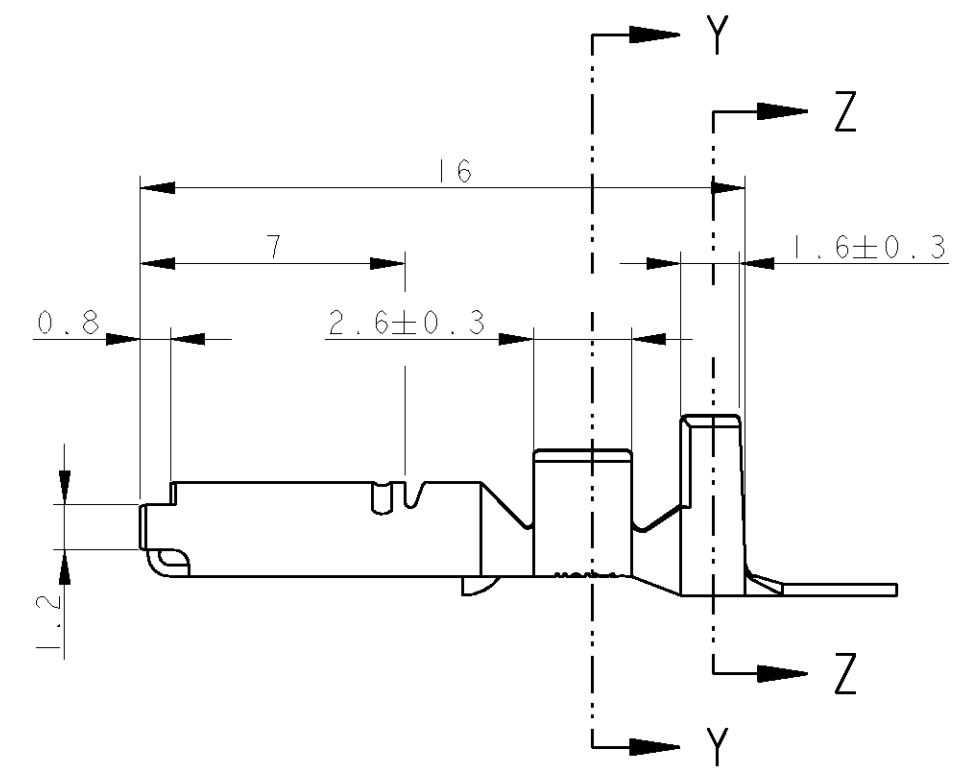
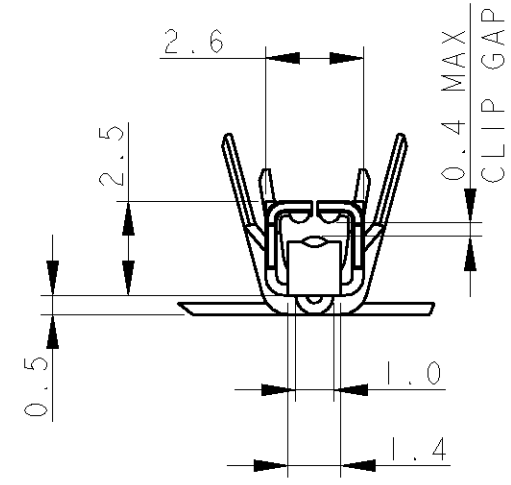
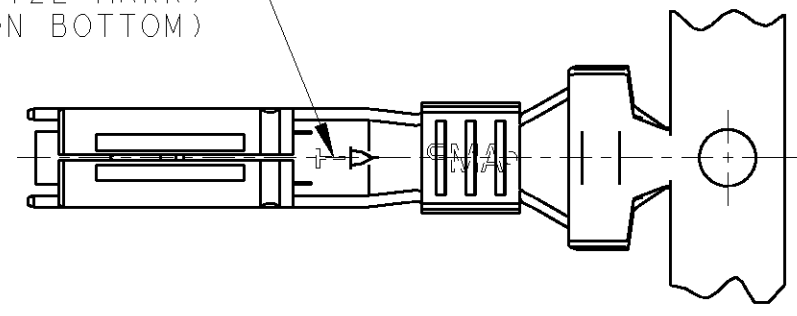


SECTION Y - Y



SECTION Z - Z

WIRE RANGE ID MARK
("T" SIZE MARK)
(STAMPED ON BOTTOM)



NOTES:

1. WIRE DETAILS: 2mm, 2.4-2.7 INSULATION DIA.
2. SIMILAR TO PART NUMBER 175190

LOC	B	EB00-0283-02	02/08/02	MJG	BB		
	A	EB00-0191-02	1-7-02	-	-	APPL FEED	TRIMMING BURR
	O	RELEASE FRO PRODUCTION, ECN C6261	27-8-92	-	-	WDW	IDW
DIST	I	-	16-10-91	MM	-	REELING	107-
E	P	LTR	REVISION RECORD	DATE	DWN	APVD	SPLICE
							115-1018

PRE-TIN FINISH	BRASS MATERIAL	345261-1 PART NO
WIRE RANGE 2	DIMENSIONS: mm DIMENSIONS APPLY BEFORE PLATING TOLERANCES UNLESS OTHERWISE SPECIFIED:	tyco Electronics Tyco Electronics UK Ltd, Barton Tors, Bideford, Devon, EX39 4HE. NAME: - .070 SERIES RECEPTACLE CONTACT
INSUL RANGE 2.4-2.7	2 PLC ± 0.5 3 PLC ± 0.5 ANGLES ± 1 CHK 02AUG2002 M. GREENER	
SURF AREA	DWN 31JUL2002 D. ROUSE APVD 02AUG2002 B. BAKER	SCALE: 5:1 SIZE: A3 DRAWING NO: C345261 REV: B