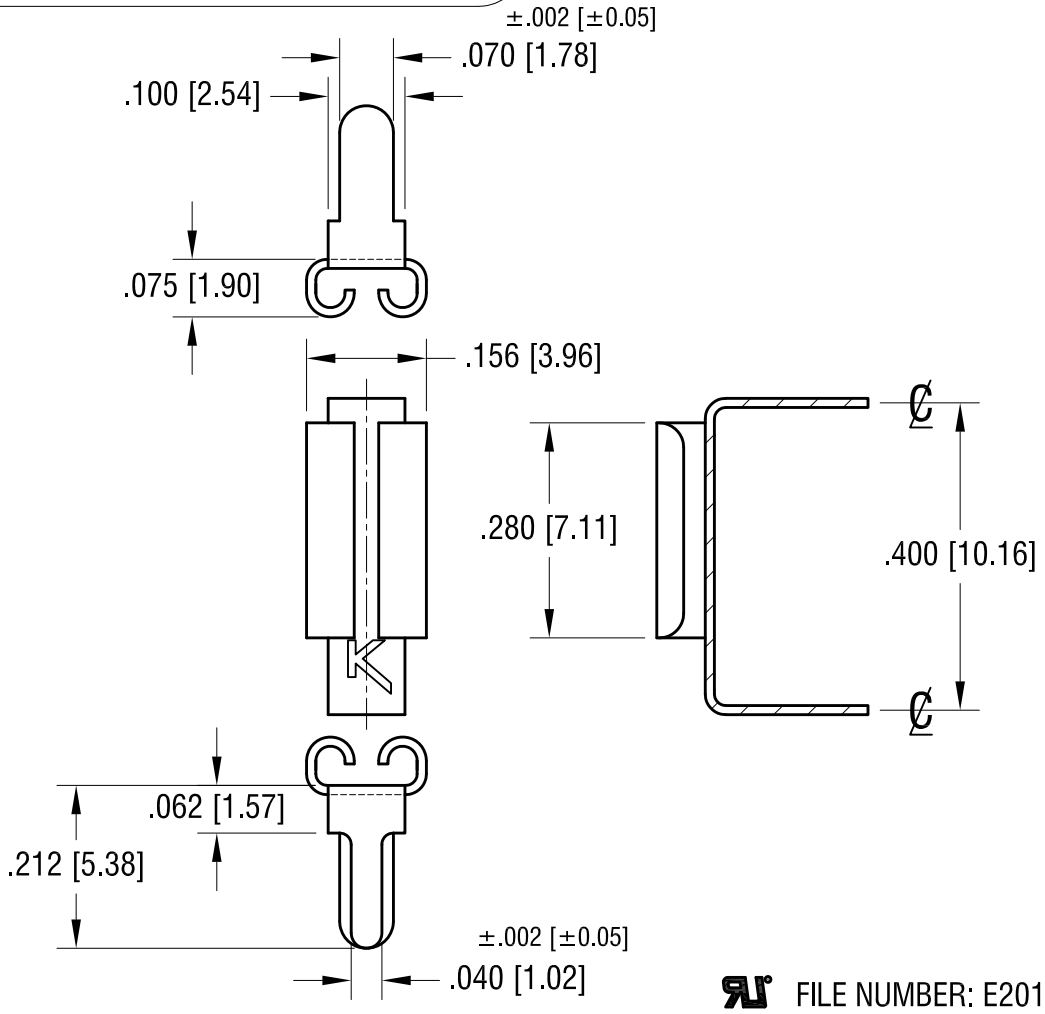
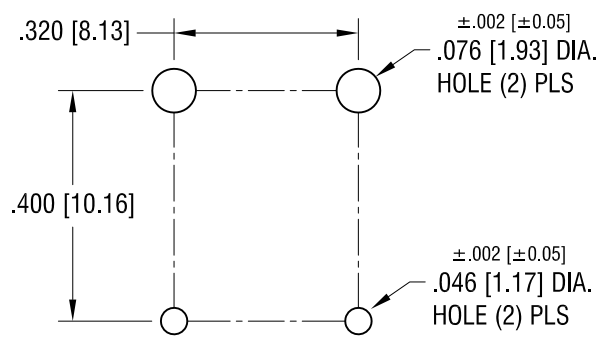


THIS DOCUMENT IS THE PROPERTY OF KEYSTONE ELECTRONICS CORP. AND SHALL NOT BE REPRODUCED, DISTRIBUTED OR USED AS A BASIS FOR MANUFACTURE WITHOUT PRIOR WRITTEN PERMISSION FROM KEYSTONE ELECTRONICS CORP.

ACTUAL SIZE



MOUNTING DETAIL



RI FILE NUMBER: E201546

9.10.12	CHANGE AS PER ECN 12-134	D
11.12.09	CHANGE AS PER ECN 09-167	C
10.18.05	CHANGE AS PER ECN 05-076	B
DATE	DESCRIPTION	REV.

KEYSTONE ELECTRONICS CORP.			
www.keyelco.com • NEW HYDE PARK, NY 11040 • Tel (516) 328-7500			
PART NAME .110 x .032 PC QUICK-FIT CONNECTOR			
MATERIAL .012 [0.30] TH'K BRASS			
FINISH AS NOTED		DRN BY BOONE	DATE 12.01.64
		APP'D MR	SCALE 4X
TOLERANCES	INCH [MM]	CODE	DWG NO.
DECIMAL	± .005 [± 0.13]	C	3549
ANGULAR	± 1°		
UNLESS OTHERWISE SPECIFIED			