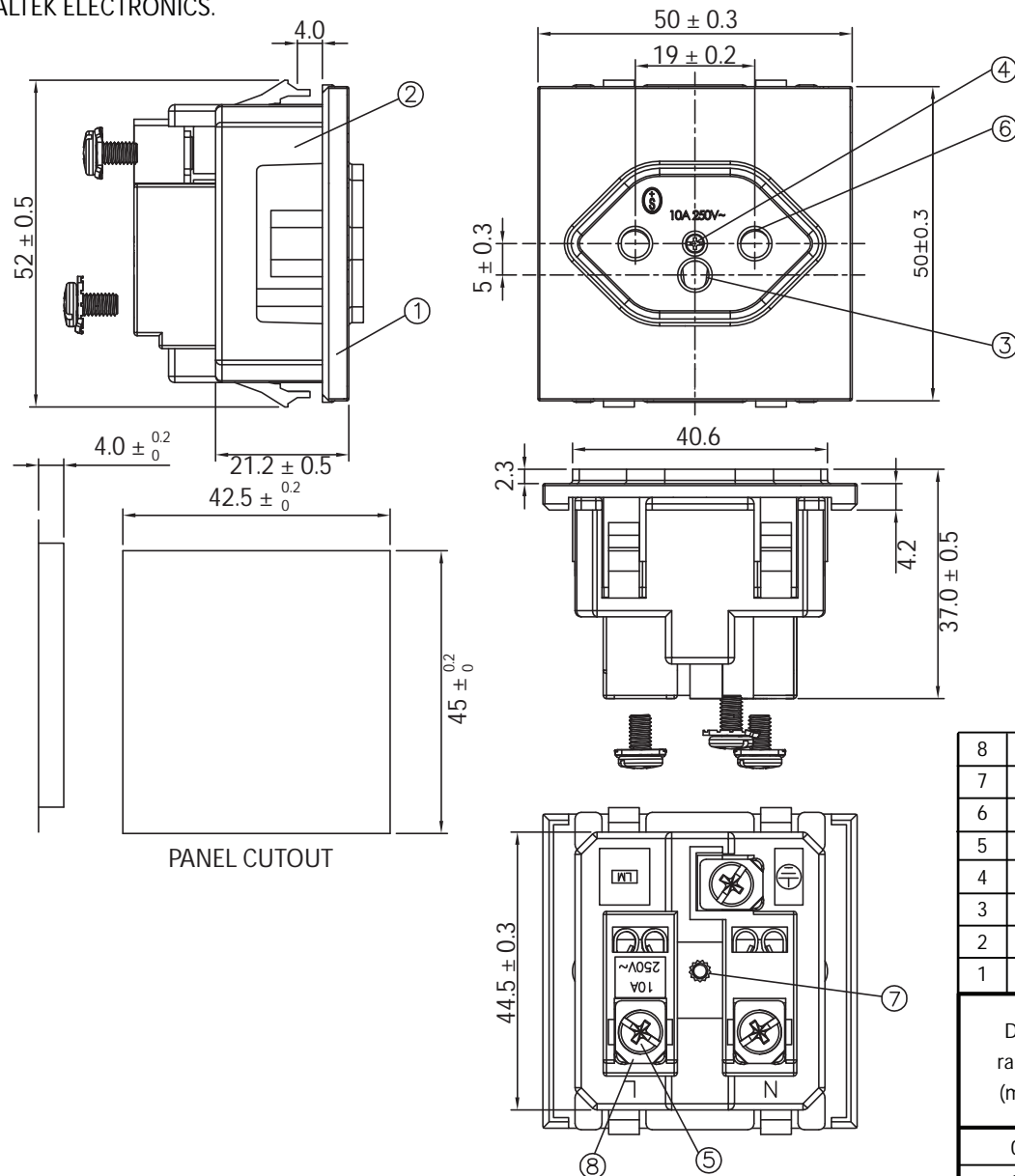


THESE DRAWINGS ARE THE PROPERTY OF QUALTEK ELECTRONICS AND NOT TO BE REPRODUCED FOR OR COMMUNICATED TO A THIRD PARTY WITHOUT THE EXPRESS WRITTEN PERMISSION OF AN OFFICER OF QUALTEK ELECTRONICS.

REVISION			
REV.	DESCRIPTION	DATE	APPROVED



NOTES:

RATING: 10A 250V AC
 APPROVALS: SEV
 PANEL THICKNESS: 4.0mm
 RoHS COMPLIANT

CONTROLLED

8	Washer Steel Nickel Plated	3
7	Nut M2*P0.4	1
6	Shutter Insulator PC	1
5	Screw M3.5*0.6m/m	3
4	Screw M2*P0.4	1
3	Grounding PIN Brass	1
2	Body NYLON Black Color	1
1	Cover PC White Color	1

Dim range (mm)		Tolerance +/- (mm)	Qualtek Electronics Corp. PPC DIVISION		
0-1		0.15	Part Number: 741W-D/02 RoHS Compliant		
1-6		0.20	Description: SWITZERLAND AC RECEPTACLE		
6-18		0.30	UNIT: mm		
18-50		0.50	Drawn / Date	Checked / Date	Approved / Date
50-120		0.70	R.Nuti 10-03-19	10-03-19	LY / 10-03-19
120-250		0.90			
250-500		1.20			