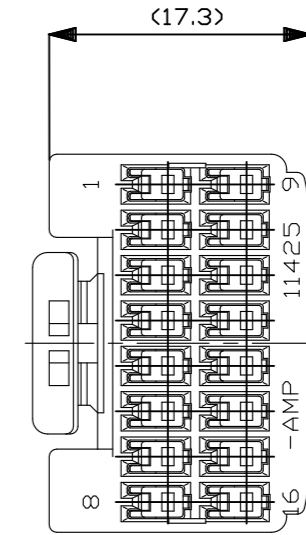
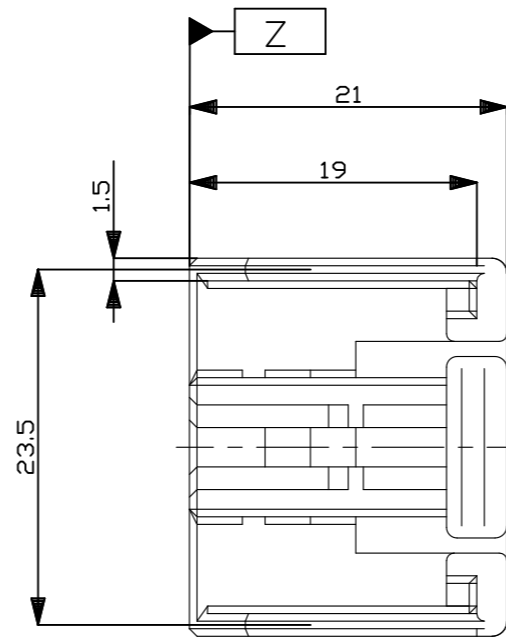
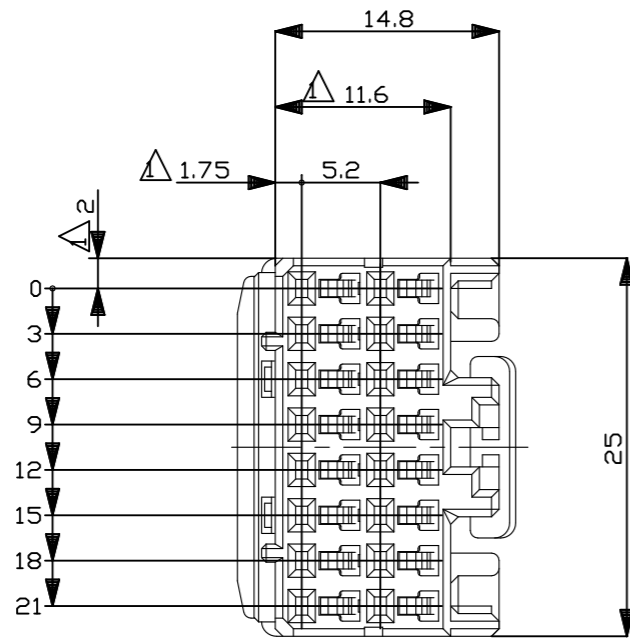


P	LTR	DESCRIPTION	DATE	DWN	APVD
	A1	REVISED PER ECR-23-165252	02FEB2023	RK	MT

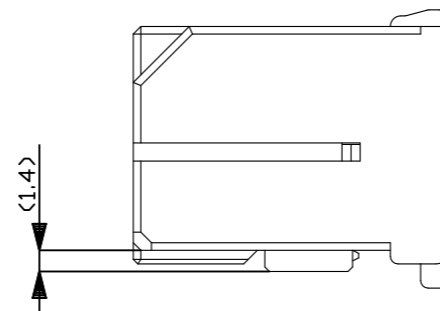


NOTES;

- 1. MUST BE KEPT BETWEEN [Z] AND 2mm.
- 2. THE MATING CAP HOUSING PART NUMBER;176242
- 3. APPLIED CONTACT PART NUMBER .040;175265,175266
- 4. APPLICABLE PRODUCT SPEC;108-5342
- 5. RETAINER COLOR;ALL WHITE

注;

- 1. [Z] 面より2mmの範囲で測定
- 2. 嵌合相手ハウジング型番: 176242
- 3. 内装するリセプタクル型番 .040端子: 175265,175266
- 4. 適用製品規格番号: 108-5342
- 5. リテーナは全て白色



OBSOLETE	灰<DARK GRAY>	917983-6
OBSOLETE	青<BLUE>	917983-5
OBSOLETE	黒<BLACK>	917983-2
	白<WHITE>	917983-1
	色<COLOR>	型番<P/N>

THIS DRAWING IS A CONTROLLED DOCUMENT.		DWN T.SHINOHARA 5/22'95	TE Connectivity .040/.070 HYBRID I/O CONN. MK-II 16Pos. PLUG HOUSING (OUT RIB)					
DIMENSIONS: mm		CHK D.MATSUURA 5/19'95				NAME		
TOLERANCES UNLESS OTHERWISE SPECIFIED:		APVD A.TOMITA 5/22'95				PRODUCT SPEC		
0 PLC ± - 1 PLC ± - 2 PLC ± - 3 PLC ± - 4 PLC ± - ANGLES ± -		APPLICATION SPEC						
MATERIAL PBT		FINISH SEE TABLE		WEIGHT -	SIZE A3	CAGE CODE 00779	DRAWING NO C-917983	RESTRICTED TO -
CUSTOMER DRAWING				SCALE 2:1	SHEET 1 OF 1	REV A1		

一般公差 (GENERAL TOLERANCE)	
10以下	±0.2
10~30	±0.25
30~100	±0.3
角度	±3°