

Evaluating the ADRF6720-27 Wideband Quadrature Modulator with Integrated Fractional-N PLL and VCOs

FEATURES

Full featured evaluation board for the [ADRF6720-27](#)

On-board USB for SPI control

3.3 V operation

C# software interface for serial port control

EVALUATION KIT CONTENTS

[ADRF6720-27-EVALZ](#) evaluation board

USB cable

ADDITIONAL EQUIPMENT NEEDED

Analog signal sources and signal analyzer

Power supplies (5 V/1 A)

PC running Windows 98, Windows 2000, Windows ME,

Windows XP, Windows Vista, or Windows 7

USB 2.0 port, recommended (USB 1.1 compatible)

SOFTWARE NEEDED

[ADRF6720-27](#) evaluation software (available for download from the [ADRF6720-27-EVALZ](#) product page)

GENERAL DESCRIPTION

The [ADRF6720-27](#) is a wideband quadrature modulator with an integrated synthesizer ideally suited for 3G and 4G communication systems. The [ADRF6720-27](#) consists of a high linearity broadband modulator, an integrated fractional-N

phase-locked loop (PLL), and four low phase noise multicore voltage controlled oscillators (VCOs).

The [ADRF6720-27](#) local oscillator (LO) signal can be generated internally via the on-chip integer-N and fractional-N synthesizers, or externally via a high frequency, low phase noise LO signal. The internal integrated synthesizer enables LO coverage from 356.25 MHz to 2855 MHz using the multicore VCOs. In the case of internal LO generation or external LO input, quadrature signals are generated with a divide by 2 phase splitter. When the [ADRF6720-27](#) is operated with an external $1 \times$ LO input, a polyphase filter generates the quadrature inputs to the mixer.

The [ADRF6720-27](#) offers digital programmability for carrier feedthrough optimization, sideband suppression, HD3/IP3 optimization, and high-side or low-side LO injection.

The [ADRF6720-27](#) is fabricated using an advanced silicon-germanium BiCMOS process. It is available in a 40-lead, RoHS-compliant, 6 mm \times 6 mm LFCSP package with an exposed pad. The [ADRF6720-27-EVALZ](#) evaluation board provides all of the support circuitry required to operate the [ADRF6720-27](#) in its various configurations, as well as the application software used to interface with the device.

Full specifications on the [ADRF6720-27](#) are available in the product data sheet, which should be consulted in conjunction with this user guide when using the evaluation board.

EVALUATION BOARD PHOTOGRAPH AND FUNCTIONAL BLOCK DIAGRAM

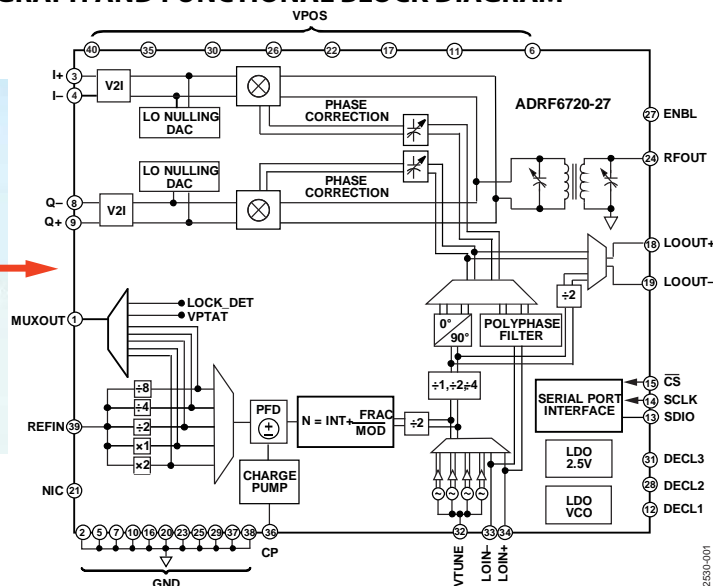
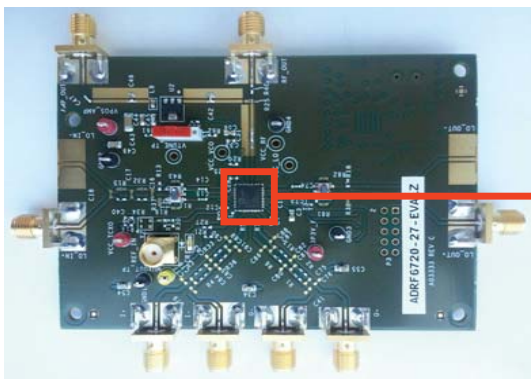


Figure 1.

TABLE OF CONTENTS

Features	1	Baseband Inputs	3
Evaluation Kit Contents.....	1	LO Input/Output	3
Additional Equipment Needed	1	RF (Modulator) Output.....	3
Software Needed.....	1	Evaluation Board Control Software	4
General Description	1	Installing Evaluation Software and Driver	4
Evaluation Board Photograph and Functional Block Diagram.....	1	Using ADRF6720-27 Evaluation Software.....	4
Revision History	2	Evaluation Board Schematics and Artwork.....	8
Evaluation Board Hardware.....	3	Ordering Information.....	11
Introduction	3	Bill of Materials.....	11
Power Supply.....	3		

REVISION HISTORY

10/14—Revision 0: Initial Version

EVALUATION BOARD HARDWARE

INTRODUCTION

The [ADRF6720-27-EVALZ](#) evaluation board provides all of the support circuitry required to operate the [ADRF6720-27](#) in its various modes and configurations. Figure 2 shows the typical measurement setup used to evaluate the performance of the [ADRF6720-27](#).

POWER SUPPLY

The [ADRF6720-27-EVALZ](#) evaluation board requires a 3.3 V power supply. Connect the 3.3 V power terminals as shown in Figure 2.

BASEBAND INPUTS

Drive the baseband inputs (I+, I-, Q+, and Q-) from a differential source. Place a shunt 100 Ω external resistor across the I and Q inputs to match the differential 100 Ω impedance interface. The nominal drive level used in the evaluation of the [ADRF6720-27](#) is 1 V p-p differential (or 500 mV p-p on each pin). All the baseband inputs must be externally dc biased at 2.68 V.

LO INPUT/OUTPUT

The [ADRF6720-27](#) offers two alternatives for generating the differential LO input signal: externally via a high frequency low phase noise LO signal or internally via the on-chip fractional-N

synthesizer. In either case, the differential LO signal can be routed off chip to the LO_OUT+ and LO_OUT- SMA connectors.

For internal LO configuration using the on-chip fractional-N synthesizer, apply a low phase noise reference signal to the REF_IN connector. The PLL reference input supports a wide frequency range because the divide or multiplication blocks can be used to increase or decrease the reference frequency to the desired value before it is passed to the phase frequency detector (PFD). The integrated synthesizer enables continuous LO coverage from 356.25 MHz to 2855 MHz.

For optimum performance using an external LO source, drive the LO inputs LO_IN- and LO_IN+ differentially. The [ADRF6720-27-EVALZ](#) evaluation board integrates footprints for both the Mini-Circuits TC1-1-43A+ balun and the Johanson 2500BL14M050T to satisfy the wide input frequency range of the external LO inputs. The inputs must be ac-coupled, unless an ac-coupled balun or transformer is used to generate the differential LO. The input impedance of the differential LO signals is 50 Ω.

RF (MODULATOR) OUTPUT

The RF output is available at the RF_OUT SMA connector, which can drive a 50 Ω load.

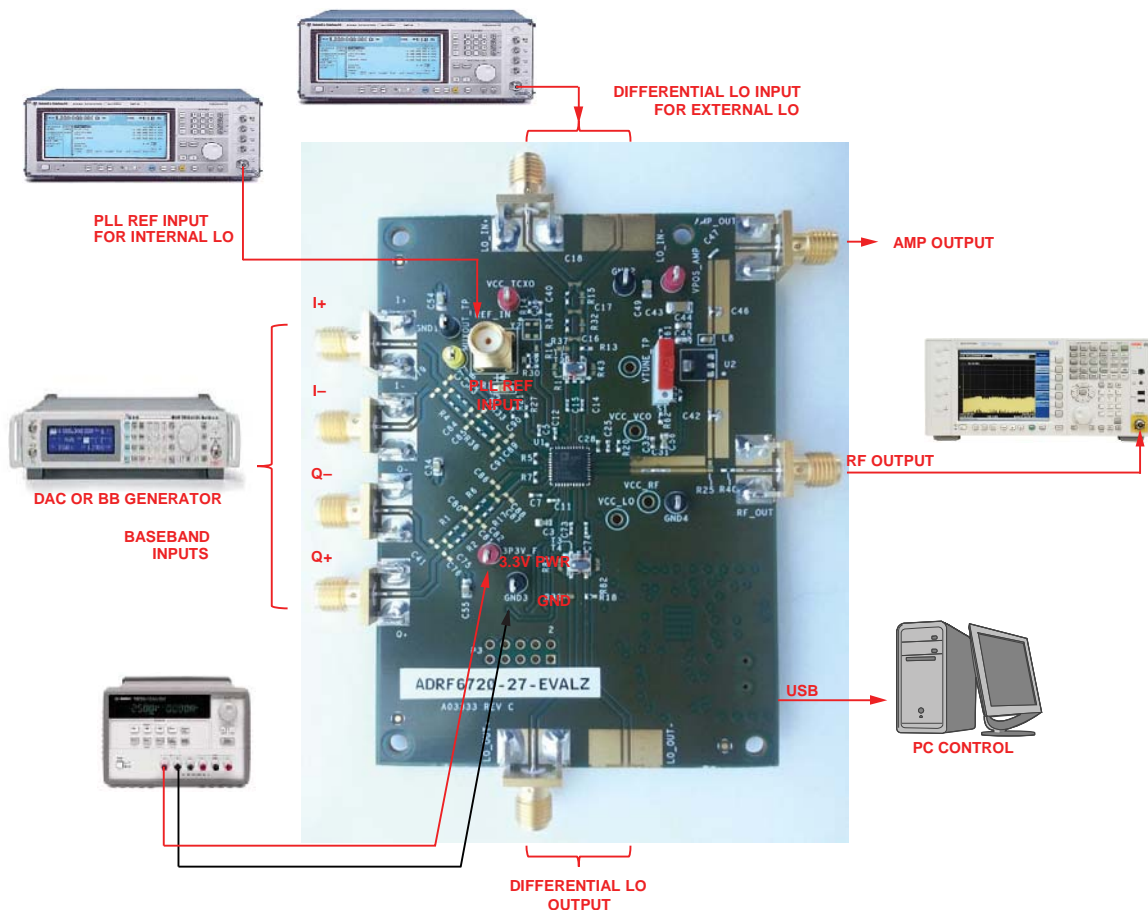


Figure 2. [ADRF6720-27](#) Typical Measurement Setup

EVALUATION BOARD CONTROL SOFTWARE

The [ADRF6720-27-EVALZ](#) evaluation board is configured with a USB friendly interface to allow programmability of the [ADRF6720-27](#) registers.

INSTALLING EVALUATION SOFTWARE AND DRIVER

The following instructions describe how to install the [ADRF6720-27](#) control software, as well as the Cypress generic USB driver, onto a Windows® PC running either a 32-bit or 64-bit operating system. Install the necessary software before plugging the USB cable to the PC. (The following instructions are specific for Windows XP, Windows Vista, and Windows 7. However, the software is also compatible with Windows 98, Windows 2000, and Windows ME.)

1. Double-click the [ADRF6720-27_Control_SW_Rev0_0_3.zip](#) file to extract the file.
2. Run the [ADRF6720-27_Rev0_0_3_install.exe](#) file from the extracted [.zip](#) file. An icon should appear on your desktop with the Analog Devices, Inc., logo titled [ADRF6720-27_Rev0_0_3](#).
3. When the installer is finished, install the USB driver. Plug the RFG USB adapter into the PC using a USB cable.
4. In Windows XP, right click **My Computer** and go to **Properties > Device Manager**. Then click the **Hardware** tab and **Device Manager**.
In Windows Vista, right-click **My Computer** and click **Device Manager**.
In Windows 7, click **Device Manager**.
5. In **Device Manager**, click the last category, **Universal Serial Bus Controllers**, and look for an entry that either has a yellow flag on it (for unknown device) or is labeled **ADF4xxx USB Driver** (if you have installed the previous ADRF6x0x or Analog Devices Limerick PLL software). Right-click this device and click **update driver**. Browse to select where to extract the [ADRF6720-27_Control_SW_Rev0_0_3.zip](#) file. Click **Next** to complete the driver installation.
In Windows 7, install the USB signed driver. Run [ADI_RFG_Drivers_Win7.exe](#) in the attached [.zip](#) file. Windows 7 then recognizes the Cypress USB driver as a signed driver.

USING ADRF6720-27 EVALUATION SOFTWARE

The [ADRF6720-27](#) evaluation software offers a block diagram view of how the registers affect the major functional blocks of the [ADRF6720-27](#). Figure 3 shows the main window of the evaluation software. Table 1 shows the functionality of the software main window.

Before reading or writing to the registers, validate the USB connection by reading the USB indicators at the lower left corner of the software. The **DUT to GUI** button reads the register values from the device and updates the user interface. An automatic write to the chip is initiated every time a register value is changed from the user interface.

The PLL synthesizer blocks provide behind the scenes calculations; the user only needs to specify the PLL reference and desired LO frequency, and the software calculates and sets the INT, FRAC, and MOD values accordingly. The green boxes require user input while the yellow boxes are read only.

The **Engineering** tab, shown in Figure 4, allows specific reads and writes to the individual registers. The address and data fields must be input in decimal format.

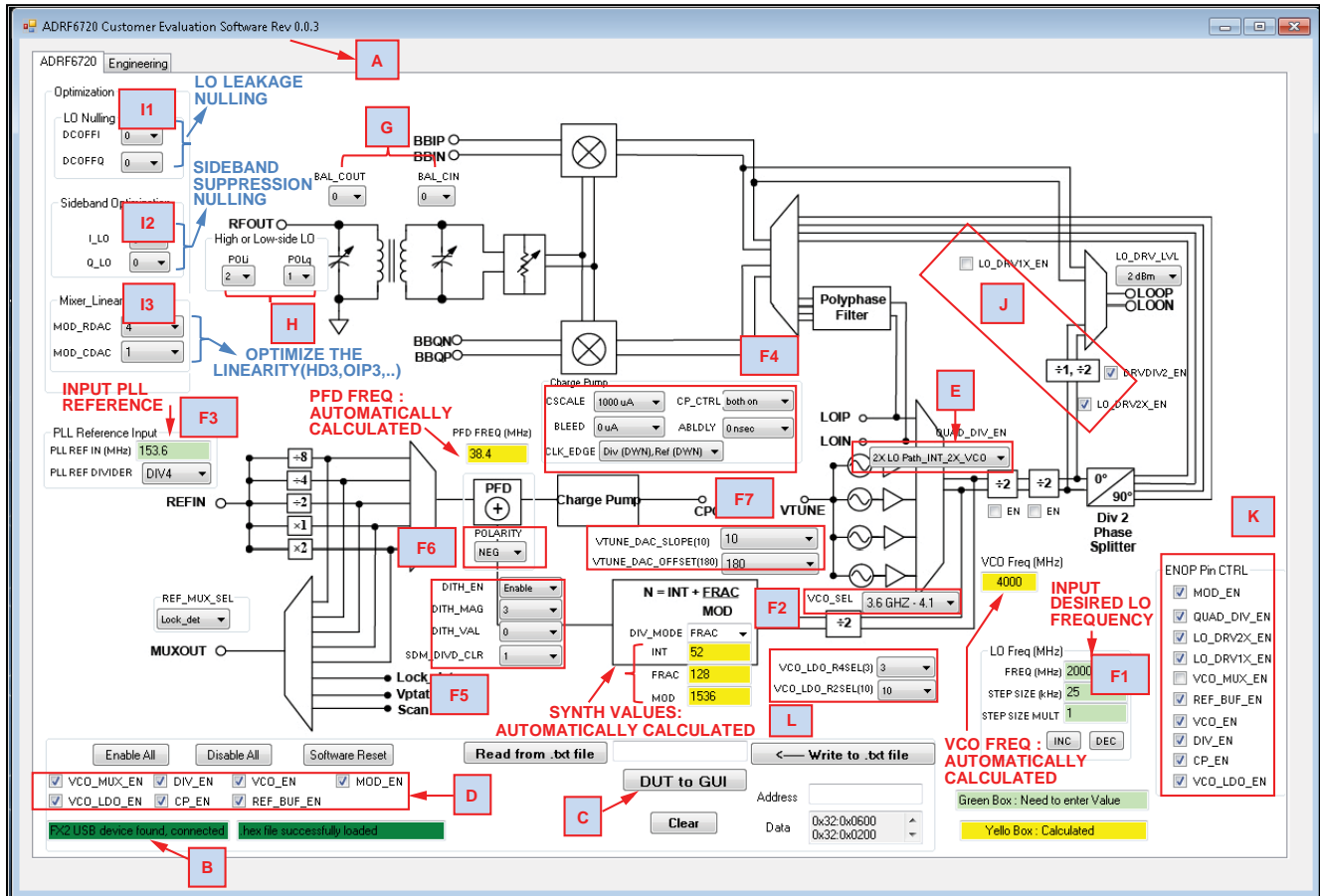


Figure 3. Main Window of the ADRF6720-27 Evaluation Software

Table 1. Evaluation Software Main Window Functionality

Label	Function
A	Shows the software version.
B	Shows FX2 USB device found, connected when the USB driver is installed and the USB block works correctly.
C	DUT to GUI button.
D	Set automatically according to Label E selection. External LO: check MOD_EN and uncheck VCO_LDO_EN , CP_EN , REF_BUF_EN , and VCO_EN . The user can choose to enable all. Internal LO: click Enable All to enable all blocks related to the internal LO.
E	Sets LO path. External LO: select 1XLO Path_EXT_1X_LO for Polyphase Filter Path in quadrature LO generation; select 2XLO Path_EXT_2X_LO with 2x External LO for Div 2 Phase Splitter Path in quadrature LO generation. Internal LO: select 2XLO Path_INT_2X_VCO for Div 2 Phase Splitter Path in quadrature LO generation; select 1XLO Path_INT_1X_VCO for Polyphase Filter Path in quadrature LO generation.
F1 to F7	Internal LO related. F1: sets frequency and step size; press the Enter key to update. F2: VCO_SEL and VCO frequency (VCO Freq (MHz)) are set automatically by setting F1. The VCO frequency is 2x the LO frequency. F3: sets the PLL reference input and divider; ensures PFD frequency at the 11.4 MHz to 40 MHz (can be locked above 40 MHz). F4: used to optimize internal LO but not usually necessary to tune. F5: used to optimize spur performance. F6: select POLARITY as NEG . F7: fine tune control of the VTUNE temperature profile. Set VTUNE_DAC_SLOPE to 10 and VTUNE_DAC_OFFSET to 180.
G	Set tunable balun over a frequency band (see Table 2).
H	Set POLi and POLq to control setting for desired signal at upper side or lower side to LO. POLi = POLq : low-side LO injection when Q leads I. POLi ≠ POLq : high-side LO injection when Q leads I.

Label	Function
I1 to I3	LO leakage, sideband suppression, linearity optimization. I1: DCOFFI , DCOFFQ : control setting for LO leakage nulling. I2: I_LO , Q_LO : control setting for sideband suppression nulling. I3: MOD_RDAC , MOD_CDAC : optimize the linearity (harmonics, IMD) performance.
J	Selects LO output path. LO_DRV1X_EN : enables the 1 × LO output path (after the quadrature divider) and enables LO output driver. LO_DRV2X_EN : enables the 2 × LO output path (before the quadrature divider) and enables LO output driver. DRVDIV2_EN : selects either 2× or 1× the frequency of the LO on the 2 × LO output path.
K	ENOP Pin Ctrl : enable/disable individual blocks.
L	Programmable resistors for VCO LDO; set VCO_LDO_R4SEL(3) to 3 and VCO_LDO_R2SEL(10) to 10.

Table 2. Balun Settings

BAL_CIN	BAL_COUT	Frequency Range (MHz)
0	0	$f_{RF} > 1730$
1	0	$1550 < f_{RF} < 1730$
2	0	$1380 < f_{RF} < 1550$
3	0	$1250 < f_{RF} < 1380$
4	0	$1170 < f_{RF} < 1250$
8	0	$1100 < f_{RF} < 1170$
9	0	$1020 < f_{RF} < 1100$
10	0	$970 < f_{RF} < 1020$
11	0	$930 < f_{RF} < 970$
12	0	$890 < f_{RF} < 930$
13	0	$840 < f_{RF} < 890$
14	0	$820 < f_{RF} < 840$
15	0	$780 < f_{RF} < 820$
15	3	$730 < f_{RF} < 780$
15	8	$680 < f_{RF} < 730$
15	11	$630 < f_{RF} < 680$
15	15	$f_{RF} < 630$

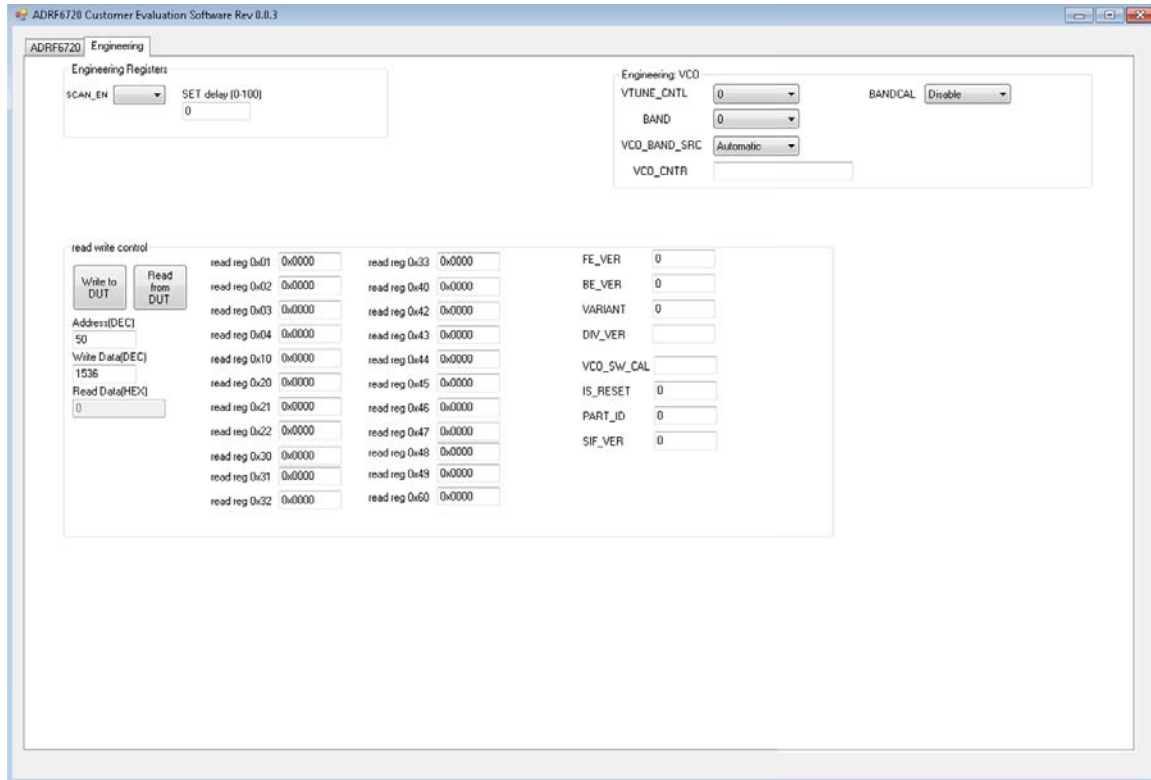


Figure 4. **Engineering** Tab of the [ADRF6720-27](#) Evaluation Software

12530-004

EVALUATION BOARD SCHEMATICS AND ARTWORK

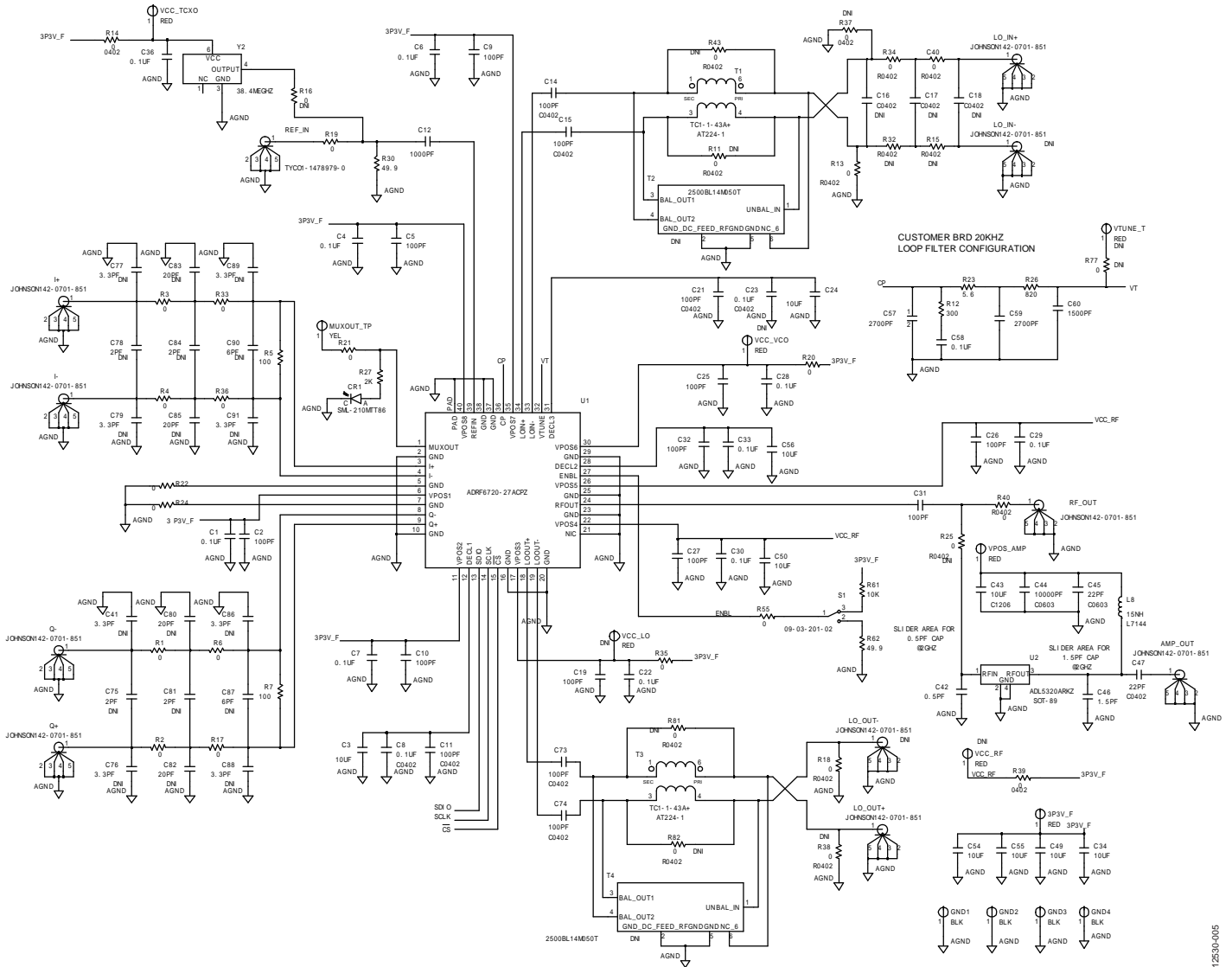


Figure 5. ADRF6720-27-EVALZ Evaluation Board Schematic

12830-005

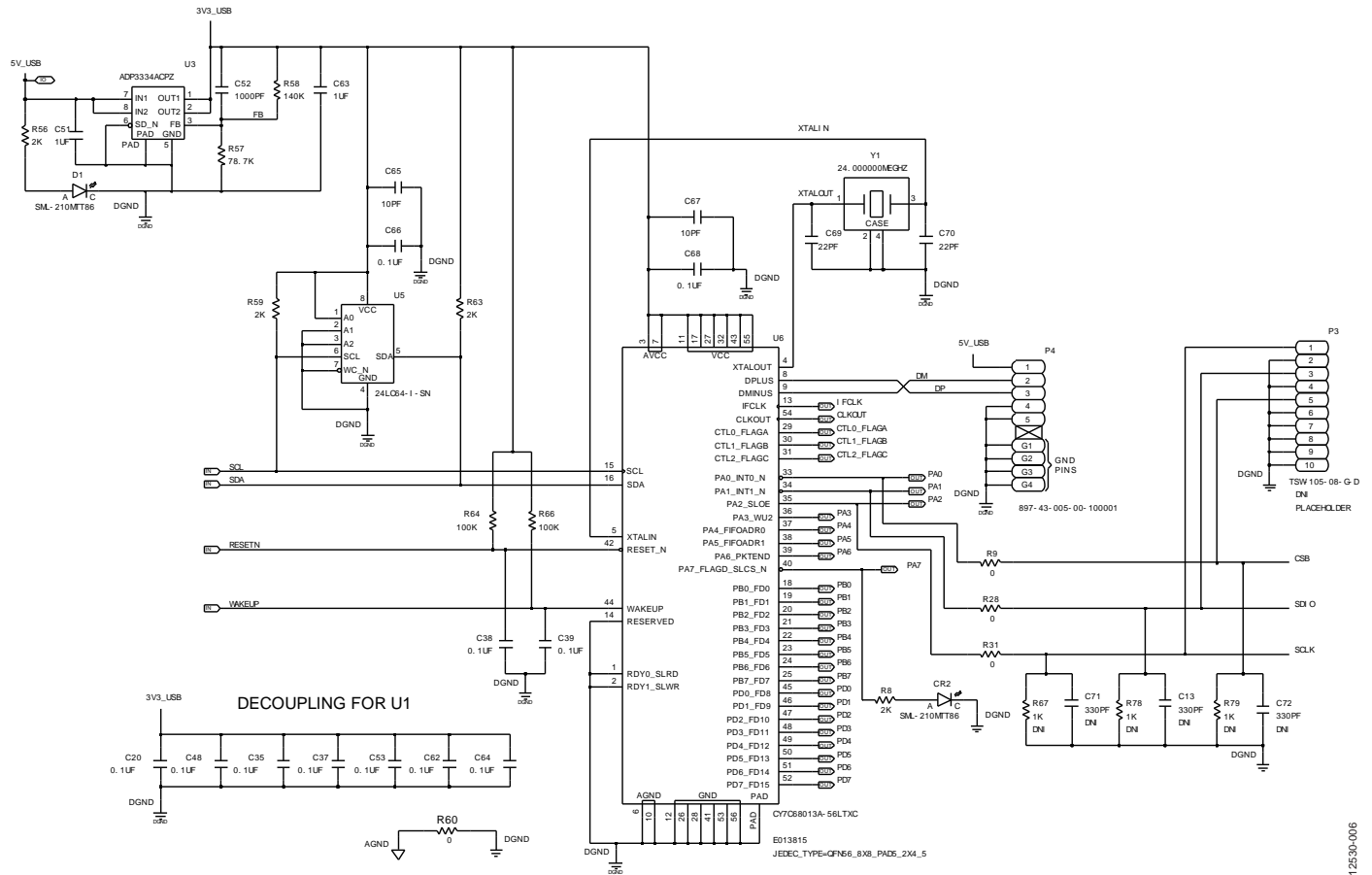
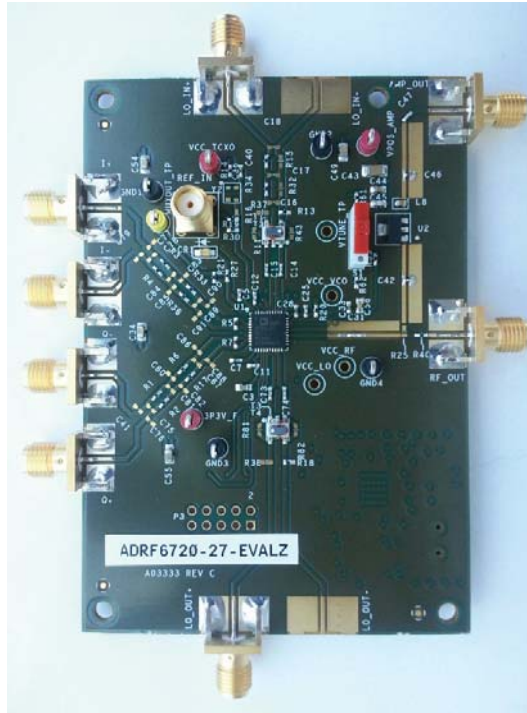


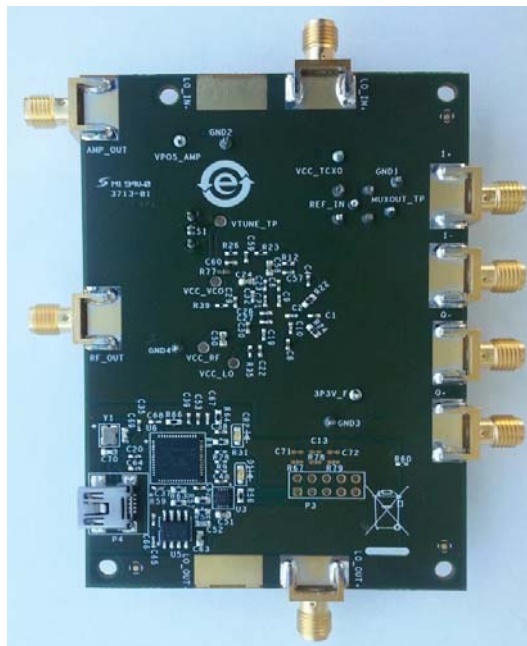
Figure 6. USB Interface Circuitry on the ADRF6720-27-EVALZ Evaluation Board

1.2E30-0016



12530-007

Figure 7. ADRF6720-27-EVALZ Evaluation Board Top



12530-008

Figure 8. ADRF6720-27-EVALZ Evaluation Board Bottom

ORDERING INFORMATION

BILL OF MATERIALS

Table 3.

Qty	Reference Designator	Description	Manufacturer	Part Number
1	Not applicable	PCB (see Table 4)	Analog Devices Supplied	08-20_a03333c
3	3P3V_F, VCC_TCXO, VPOS_AMP	Connector PCB test point red	Components Corporation	TP-104-01-02
4	GND1 to GND4	Connector PCB test point black	Components Corporation	TP-104-01-00
1	MUXOUT_TP	Connector PCB test point yellow	Components Corporation	TP-104-01-04
1	P4	Connector PCB RECEPT mini-USB Type B SMT	Mill-Max	897-43-005-00-100001
8	I+, I-, Q+, Q-, LO_IN+, RF_OUT, AMP_OUT, LO_OUT+	Connector PCB COAX SMA end launch	Johnson	142-0701-851
1	REF_IN	Connector PCB SMA ST	Tyco	1-1478979-0
23	C1, C4, C6 to C8, C20, C22, C23, C28 to C30, C33, C35 to C39, C48, C53, C62, C64, C66, C68	Cap cer X7R C0402, 10%, 16 V, 0.1 μ F	Murata	GRM155R71C104KA88D
16	C2, C5, C9 to C11, C14, C15, C19, C21, C25 to C27, C31, C32, C73, C74	Cap chip mono cer C0G C0402, 5%, 50 V, 100 pF	Murata	GRM1555C1H101JD01D
1	C12	Cap cer C0G C0402, 5%, 50 V, 1000 pF	Murata	GRM1555C1H102JA01
4	C3, C24, C50, C56	Cap cer X5R C0603, 20%, 6.3 V, 10 μ F	Murata	GRM188R60J106ME47D
4	C34, C49, C54, C55	Cap cer monolithic X5R, C0805, 10%, 16 V, 10 μ F	Murata	GRM21BR61C106KE15L
1	C42	Cap cer C0G, C0402, \pm 0.5 pF, 25 V, 0.5 pF	Kemet	C0402C508D3GACTU
1	C43	Cap cer monolithic X5R, C1206, 10%, 25 V, 10 μ F	Murata	GRM31CR61E106KA12L
1	C44	Cap monolithic cer X7R, C0603, 10%, 25 V, 10000 pF	Murata	GRM188R71E103KA01D
3	C45, C69, C70	Cap cer NP0, C0603, 5%, 50 V, 22 pF	Phycomp (Yageo)	CC0603JRNP09BN220
1	C46	Cap cer C0402, 0.25PF, 50 V, 1.5 pF	Phycomp (Yageo)	0402CG159C9B200
1	C47	Cap cer C0402, 5%, 50 V, 22 pF	Phycomp (Yageo)	0402CG220J9B200
2	C51, C63	Cap mono cer X5R, C0603, 10%, 25 V, 1 μ F	Murata	GRM188R61E105KA12D
1	C52	Cap cer C0G, C0603, 5%, 100 V, 1000 pF	TDK	C1608C0G2A102J
2	C57, C59	Cap cer X7R, C0402, 5%, 50 V, 2700 pF	Murata	GRM155R71H272JA01
1	C58	Cap cer X7R, C0603, 5%, 50 V, 0.1 μ F	Murata	GRM188R71H104JA93D
1	C60	Cap cer X7R, C0402, 5%, 50 V, 1500 pF	Murata	GRM155R71H152JA01
2	C65, C67	Cap cer multilayer NP0, C0402, 5%, 50 V, 10 pF	Phycomp (Yageo)	CC0402JRNP09BN100
1	L8	Chip inductor L7144, 5%, 15 nH	Coilcraft	0603CS-15NXJLU
24	R1 to R4, R6, R9, C40, R13, R14, R17 to R21, R28, R31, R33 to R36, R39, R40, R55, R60	Res film SMD R0402, 5%, 1/16 W, 0 Ω	Panasonic	ERJ-2GEOR00X
1	R12	Res film SMD R0402, 5%, 1/16 W, 300 Ω	Panasonic	ERJ-2GEJ301X
2	R22, R24	Res film SMD R0603, 1%, 1/16 W, 0 Ω	Multicomp	MC0603WG00000T5E-TC
1	R23	Res thick film chip, R0402, 5%, 1/10 W, 5.6 Ω	Panasonic	ERJ-2GEJ5R6X
1	R26	Res film SMD R0402, 5%, 1/16 W, 820 Ω	Panasonic	ERJ-2GEJ821X
1	R27	Res chip SMD R0402, 5%, 1/16 W, 2 k Ω	Yageo	RC0402JR-072KL
1	R30	Res ultra-PREC ultra-reliability MF chip, R0402, 0.1%, 1/16 W, 49.9 Ω	Susumu	RG1005P-49R9-B-T5
2	R5, R7	Res prec thick film chip R0402, 1%, 1/10 W, 100 Ω	Panasonic	ERJ-2RKF101X
4	R8, R56, R59, R63	Res film SMD R0603, 1%, 1/10 W, 2 k Ω	Yageo-Phycomp	9C06031A2001FKHFT
1	R57	Res prec thick film chip R0603, 1%, 50 V, 1/10 W, 78.7 k Ω	Panasonic	ERJ-3EKF7872V
1	R58	Res prec thick film chip R0603, 1%, 50 V, 1/10 W, 140 k Ω	Panasonic	ERJ-3EKF1403V
1	R61	Res prec thick film chip R0402, 1%, 1/16 W, 10 k Ω	Panasonic	ERJ-2RKF1002X
1	R62	Res prec thick film chip R0402, 1%, 1/16 W, 49.9 Ω	Panasonic	ERJ-2RKF49R9X
2	R64, R66	Res PREC thick film chip R0603, 1%, 50 V, 1/10 W, 100 k Ω	Panasonic	ERJ-3EKF1003V
1	S1	SW PCB mount slide, SWSECMMA0903201	SECMA	09-03-201-02

Qty	Reference Designator	Description	Manufacturer	Part Number
3	D1, CR1, CR2	LED 570 NM WTR clr LED0805 SMD (green)	ROHM	SML-210MTT86
2	T1, T3	XFMR RF SMT AT224-1	Mini-Circuits	TC1-1-43A+
1	U1	IC wideband quadrature modulator, QFN40_6X6_PAD4_6X4_6	Analog Devices, Inc.	ADRF6720-27ACPZ
1	U2	IC 400 MHz to 2700 MHz RF driver amplifier, SOT-89, 5 V	Analog Devices, Inc.	ADL5320ARKZ
1	U3	IC high accuracy, low I _o , adjustable LDO, QFN8_3X3_PAD1_75X1_45	Analog Devices, Inc.	ADP3334ACPZ
1	U5	IC 64 kbit EEPROM, SO8	Microchip	24LC64-I-SN
1	U6	IC HS USB peripheral, 3 V to 3.6 V, QFN56_8X8_PAD5_2X4_5	Cypress Semiconductor	CY7C68013A-56LTXC
1	Y1	IC crystal SMD XTALNX3225 24.000000 MHz	NDK	NX3225SA-24.000000MHZ
1	Y2	IC crystal OSC prelim, 3.3 V YSML98W79H35_B 38.4 MHz	Rakon	509540

The components listed in Table 4 are part of the printed circuit board (PCB) or must not be installed.

Table 4. ADRF6720-27-EVALZ Evaluation Board Bill of Materials—Do Not Install

Qty	Reference Designator	Description	Manufacturer	Part No.
3	C13, C71, C72	Cap cer X7R C0402, 10%, 50 V, 330 pF	Murata	GRM155R71H331KA01D
3	C16 to C18	Do not install (TBD_C0402) TBD0402	Not applicable	TBD0402
8	C41, C76, C77, C79, C86, C88, C89, C91	Cap cer C0G SMD C0402, ±0.25 pF, 50 V, 3.3 pF	Murata	GJM1555C1H3R3CB01D
4	C75, C78, C81, C84	Cap cer C0G SMD C0402, ±0.25 pF, 50 V, 2 pF	Murata	GJM1555C1H2R0CB01D
4	C80, C82, C83, C85	Cap mono cer C0G C0402, 5%, 50 V, 20 pF	Murata	GRM1555C1H200JZ01D
2	C87, C90	Cap chip mono cer C0G C0402, ±0.1 pF, 50 V, 6 pF	Murata	GRM1555C1H6R0BZ01
2	LO_IN-, LO_OUT-	Connector PCB coax SMA end launch	Johnson	142-0701-851
1	P3	Connector PCB HDR ST 10P	Samtec	TSW-105-08-G-D
11	R11, R15, R16, R25, R32, R37, R38, R43, R77, R81, R82	Res film SMD R0402, 5%, 1/16 W, 0 Ω	Panasonic	ERJ-2GE0R00X
3	R67, R78, R79	Res prec thick film chip R0402, 1%, 1/10 W, 1 kΩ	Panasonic	ERJ-2RKF1001X
2	T2, T4	XFMR 2.5 GHz balun, T0603-6P	Johanson Technology	2500BL14M050T
4	VCC_LO, VCC_RF, VCC_VCO, VTUNE_TP	Connector PCB test point red	Components Corporation	TP-104-01-02



ESD Caution

ESD (electrostatic discharge) sensitive device. Charged devices and circuit boards can discharge without detection. Although this product features patented or proprietary protection circuitry, damage may occur on devices subjected to high energy ESD. Therefore, proper ESD precautions should be taken to avoid performance degradation or loss of functionality.

Legal Terms and Conditions

By using the evaluation board discussed herein (together with any tools, components documentation or support materials, the "Evaluation Board"), you are agreeing to be bound by the terms and conditions set forth below ("Agreement") unless you have purchased the Evaluation Board, in which case the Analog Devices Standard Terms and Conditions of Sale shall govern. Do not use the Evaluation Board until you have read and agreed to the Agreement. Your use of the Evaluation Board shall signify your acceptance of the Agreement. This Agreement is made by and between you ("Customer") and Analog Devices, Inc. ("ADI"), with its principal place of business at One Technology Way, Norwood, MA 02062, USA. Subject to the terms and conditions of the Agreement, ADI hereby grants to Customer a free, limited, personal, temporary, non-exclusive, non-sublicensable, non-transferable license to use the Evaluation Board FOR EVALUATION PURPOSES ONLY. Customer understands and agrees that the Evaluation Board is provided for the sole and exclusive purpose referenced above, and agrees not to use the Evaluation Board for any other purpose. Furthermore, the license granted is expressly made subject to the following additional limitations: Customer shall not (i) rent, lease, display, sell, transfer, assign, sublicense, or distribute the Evaluation Board; and (ii) permit any Third Party to access the Evaluation Board. As used herein, the term "Third Party" includes any entity other than ADI, Customer, their employees, affiliates and in-house consultants. The Evaluation Board is NOT sold to Customer; all rights not expressly granted herein, including ownership of the Evaluation Board, are reserved by ADI. CONFIDENTIALITY. This Agreement and the Evaluation Board shall all be considered the confidential and proprietary information of ADI. Customer may not disclose or transfer any portion of the Evaluation Board to any other party for any reason. Upon discontinuation of use of the Evaluation Board or termination of this Agreement, Customer agrees to promptly return the Evaluation Board to ADI. ADDITIONAL RESTRICTIONS. Customer may not disassemble, decompile or reverse engineer chips on the Evaluation Board. Customer shall inform ADI of any occurred damages or any modifications or alterations it makes to the Evaluation Board, including but not limited to soldering or any other activity that affects the material content of the Evaluation Board. Modifications to the Evaluation Board must comply with applicable law, including but not limited to the RoHS Directive. TERMINATION. ADI may terminate this Agreement at any time upon giving written notice to Customer. Customer agrees to return to ADI the Evaluation Board at that time. LIMITATION OF LIABILITY. THE EVALUATION BOARD PROVIDED HEREUNDER IS PROVIDED "AS IS" AND ADI MAKES NO WARRANTIES OR REPRESENTATIONS OF ANY KIND WITH RESPECT TO IT. ADI SPECIFICALLY DISCLAIMS ANY REPRESENTATIONS, ENDORSEMENTS, GUARANTEES, OR WARRANTIES, EXPRESS OR IMPLIED, RELATED TO THE EVALUATION BOARD INCLUDING, BUT NOT LIMITED TO, THE IMPLIED WARRANTY OF MERCHANTABILITY, TITLE, FITNESS FOR A PARTICULAR PURPOSE OR NON-INFRINGEMENT OF INTELLECTUAL PROPERTY RIGHTS. IN NO EVENT WILL ADI AND ITS LICENSORS BE LIABLE FOR ANY INCIDENTAL, SPECIAL, INDIRECT, OR CONSEQUENTIAL DAMAGES RESULTING FROM CUSTOMER'S POSSESSION OR USE OF THE EVALUATION BOARD, INCLUDING BUT NOT LIMITED TO LOST PROFITS, DELAY COSTS, LABOR COSTS OR LOSS OF GOODWILL. ADI'S TOTAL LIABILITY FROM ANY AND ALL CAUSES SHALL BE LIMITED TO THE AMOUNT OF ONE HUNDRED US DOLLARS (\$100.00). EXPORT. Customer agrees that it will not directly or indirectly export the Evaluation Board to another country, and that it will comply with all applicable United States federal laws and regulations relating to exports. GOVERNING LAW. This Agreement shall be governed by and construed in accordance with the substantive laws of the Commonwealth of Massachusetts (excluding conflict of law rules). Any legal action regarding this Agreement will be heard in the state or federal courts having jurisdiction in Suffolk County, Massachusetts, and Customer hereby submits to the personal jurisdiction and venue of such courts. The United Nations Convention on Contracts for the International Sale of Goods shall not apply to this Agreement and is expressly disclaimed.