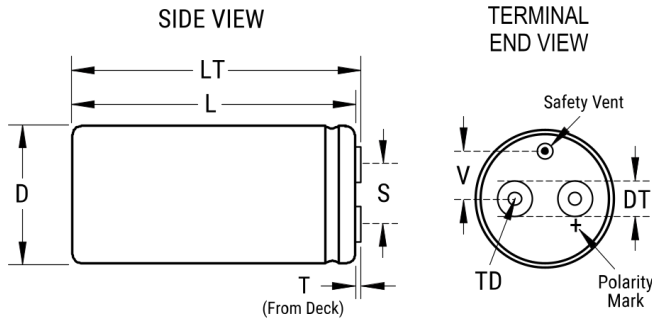


ALS70H363QW200

Aliases (A390UU363M200H)

ALS70, Aluminum Electrolytic, 36,000 uF, 20%, 200 VDC, -40/+85°C



General Information

Series	ALS70
Dielectric	Aluminum Electrolytic
Description	Screw Terminal, Aluminum Electrolytic
RoHS	Yes
AEC-Q200	No
Halogen Free	Yes
Component Weight	1500 g
Notes	Dimensions D And L Include Sleevings. MS (MxH) = M12x16. Mounting Clamp (Sold Separately): V90N
Shelf Life	156 Weeks

Specifications

Capacitance	36,000 uF
Capacitance Tolerance	20%
Voltage DC	200 VDC, 230 VDC (Surge)
Temperature Range	-40/+85°C
Rated Temperature	85°C
Life	20000 Hrs (Rated Voltage And Ripple Current At 85C), 40000 Hrs (Rated Voltage At 85C)
Resistance	13 mOhms (100Hz 20C), 11 mOhms (10kHz 20C)
Ripple Current	29.3 Amps (100Hz 85C), 34.8 Amps (10kHz 85C)
Leakage Current	6000 uA

Click [here](#) for the 3D model.

Dimensions

D	90mm +/-1mm
L	169mm +/-2mm
T	7.1mm +/-0.5mm
S	31.8mm +/-0.5mm
DT	8mm +/-0.5mm
LT	Available On Request
TD	10mm MIN
V	25mm NOM

Packaging Specifications

Sleevings	Yes
Packaging	Tray

Statements of suitability for certain applications are based on our knowledge of typical operating conditions for such applications, but are not intended to constitute - and we specifically disclaim - any warranty concerning suitability for a specific customer application or use. This information is intended for use only by customers who have the requisite experience and capability to determine the correct products for their application. Any technical advice inferred from this information or otherwise provided by us with reference to the use of our products is given gratis, and we assume no obligation or liability for the advice given or results obtained.