

## Product Change Notification

(Notification - P1811059-DIGI)

(BL201802958)

November 20, 2018

**To:** *Our Valued Digi-Key Electronics Customer*

**Overview:** The purpose of this notification is to communicate a product change of select Renesas Electronics America, Inc. (REA) devices. These devices have suggested replacements.

This notification announces a change to the packing form for MP-3A Thyristors and Triacs. Devices will no longer be available in Tube packing, and will only be available in Tape & Reel packing (see the Appendix for details).

The booking part number will change. There is no change to electrical specifications or product reliability.

**Affected Products:** A review of our records indicates the list of products below may affect your company.

Booking Part Number	Replacement Part Number	Booking Part Number	Replacement Part Number
BCR2AS-12A#B00	BCR2AS-12A-T13#B00	BCR5AS-12B#B01	BCR5AS-12B-T13#B01
BCR2AS-14A#B00	BCR2AS-14A-T13#B00	BCR5AS-14A#B00	BCR5AS-14A-T13#B00
BCR3AS-12A#B00	BCR3AS-12A-T13#B00	BCR5AS-14LJ#B00	BCR5AS14LJ-T13#B00
BCR3AS-14B#B00	BCR3AS-14B-T13#B00	BCR8AS-14LJ#B01	BCR8AS14LJ-T13#B01
BCR4AS-16LH#B00	BCR4AS-16LHT13#B00	CR3AS-8B#B00	CR3AS-8B-T13#B00
BCR4AS-16LH#B01	BCR4AS16LH1T13#B00	CR5AS-12A#B01	CR5AS-12A-T13#B01
BCR4AS-16LH-1#B00	BCR4AS16LH1T13#B00	CRD5AS-12B#B00	CRD5AS-12B-T13#B00
BCR5AS-12A#B00	BCR5AS-12A-T13#B00		

Part numbers given in this list are for active part numbers in REA database at the time of this notification.

**Key Dates:**

Final last time buy (LTB) orders of original part number placed to REA or to a franchised REA distributor.	<b>Dec. 15<sup>th</sup>, 2019</b>
Planned date for last time shipment (LTS) from REA.	<b>Jun. 15<sup>th</sup>, 2020</b>

**Response:**

Please place last time buy (LTB) orders in a timely manner prior to the key dates listed to avoid product availability issues. If you anticipate volumes beyond your regular rate, please contact your REA sales representative with a forecast of your requirements. Shipments between the LTB and LTS dates are Non-Cancelable and Non-Returnable (NCNR).

You are encouraged to convert to the suggested replacement device as soon as possible.

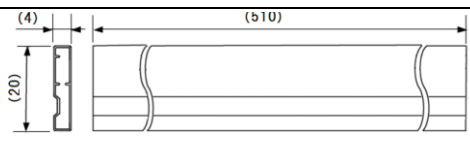
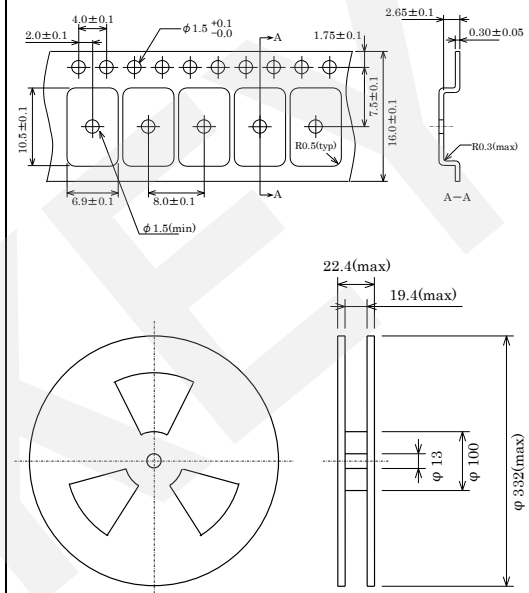
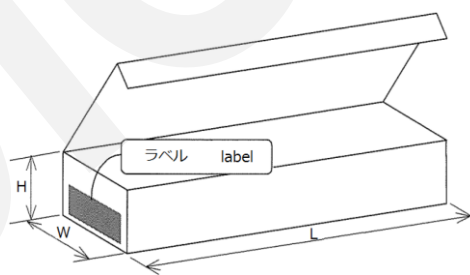
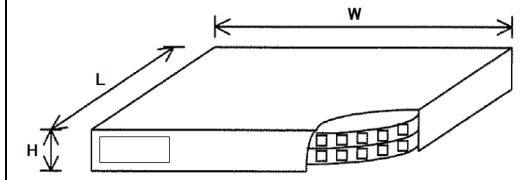
Please contact your REA sales representative for any questions or comments.

Thank you for your attention.

Sincerely,

Renesas Electronics America, Inc.

**Appendix: Change Details**

Items		Current	Changed		
Package Name		No change (MP-3A)			
Renesas PKG Code		No change (PRSS0004ZG-A)			
Production Site	Wafer Fab	No change (Renesas Semiconductor Manufacturing Co., Ltd. (Japan))			
	Assembly & Test	No change (GEM Electronics Co., Ltd. (China))			
Die		No change			
Rating & Characteristics		No change			
Reliability		No change			
Packing		Tube	Tape & Reel		
Dimensions (mm)					
Qty.		Max. 75 pcs. / tube	3,000 pcs. / reel		
Materials		Tube	Rigid PVC (antistatic)		
				Carrier tape	Polystyrene (antistatic)
				Cover tape	Polyester (antistatic)
Inner box					
				Reel	Polystyrene (antistatic)
				Box size	590(L) × 150 (W) × 76(H) (mm)
Qty. / box		MAX. 60 tube / box	MAX. 2 reel / box		