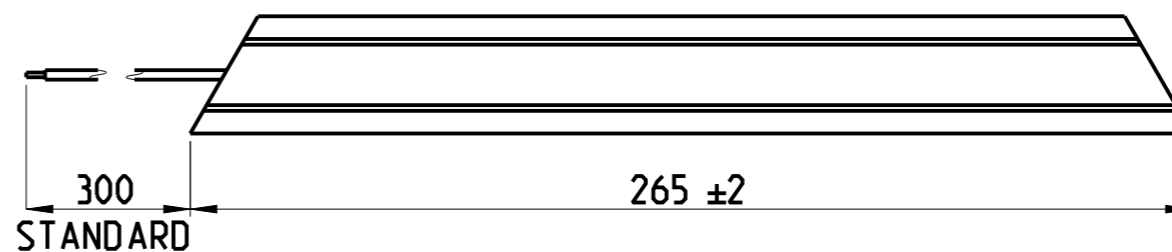
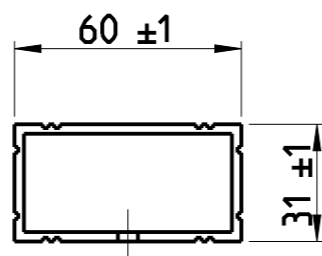
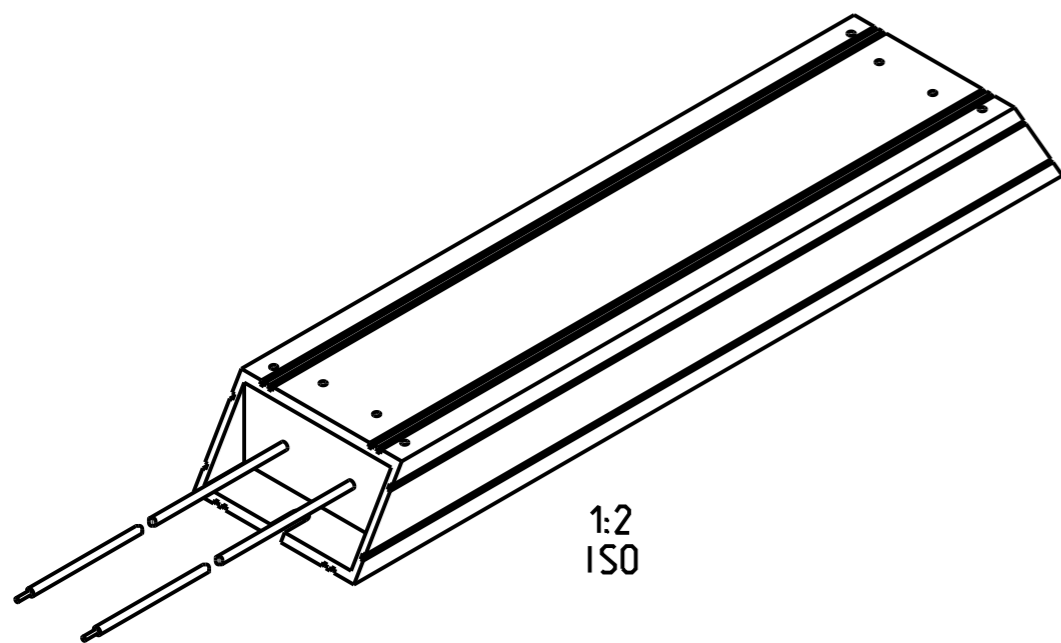
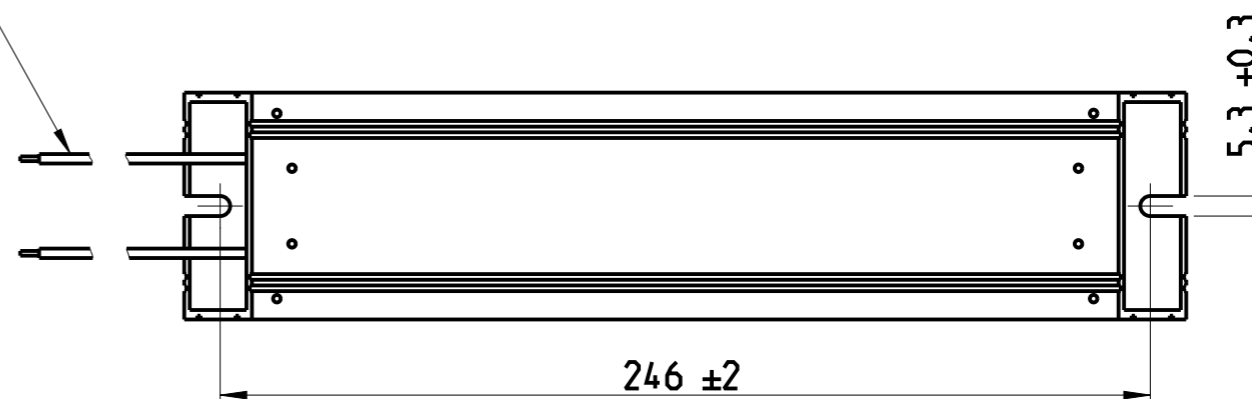


REVISIONS

P	LTR	DESCRIPTION	DATE	DWN	APVD
A		INITIAL RELEASE	06FEB2021	SR	AP



PTFE INSULATED CABLE




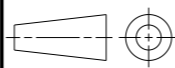
THIS DRAWING IS A CONTROLLED DOCUMENT.		DWN SUPREETH R 06FEB2021		
		CHK A. PILE 06FEB2021		
		APVD A. PILE 06FEB2021	NAME Aluminium Housed Breaking Resistor Type HCH265	
DIMENSIONS: mm		PRODUCT SPEC -	RESTRICTED TO -	
TOLERANCES UNLESS OTHERWISE SPECIFIED:		APPLICATION SPEC -		
0 PLC ±		WEIGHT -	SIZE A3	CAGE CODE 00779
1 PLC ±			DRAWING NO C-2176465	
2 PLC ±				
3 PLC ±				
4 PLC ±				
ANGLES ±				
MATERIAL -			SCALE 1:2	SHEET 1 OF 2
FINISH -			REV A	
		CUSTOMER DRAWING		

REVISIONS

P	LTR	DESCRIPTION	DATE	DWN	APVD
-		SEE SHEET 1	-	-	-

SCHEDULE

TCPN	PRODUCT NUMBER	MATERIAL DESCRIPTION	LEAD LENGTH
2176465-1	HCH265J10RJ	HCH265 400W 10R 5% LEAD	300mm
2176465-2	HCH265J22RJ	HCH265 400W 22R 5% LEAD	300mm
2176465-3	HCH265J33RJ	HCH265 400W 33R 5% LEAD	300mm
2176465-4	HCH265J47RJ	HCH265 400W 47R 5% LEAD	300mm
2176465-5	HCH265J68RJ	HCH265 400W 68R 5% LEAD	300mm
2176465-6	HCH265J82RJ	HCH265 400W 82R 5% LEAD	300mm
2176465-7	HCH265J100RJ	HCH265 400W 100R 5% LEAD	300mm
2176465-8	HCH265J220RJ	HCH265 400W 220R 5% LEAD	300mm

THIS DRAWING IS A CONTROLLED DOCUMENT.		DWN SUPREETH R	06FEB2021	 TE Connectivity	
DIMENSIONS: mm		CHK A. PILE	06FEB2021		
		APVD A. PILE	06FEB2021	NAME Aluminium Housed Breaking Resistor Type HCH265	
TOLERANCES UNLESS OTHERWISE SPECIFIED:		PRODUCT SPEC		RESTRICTED TO	
0 PLC ±		-		-	
1 PLC ±		-		-	
2 PLC ±		-		-	
3 PLC ±		-		-	
4 PLC ±		-		-	
ANGLES ±		-		-	
MATERIAL		APPLICATION SPEC		SIZE	CAGE CODE
-		-		A3	00779
FINISH		WEIGHT		DRAWING NO	
-		-		C-2176465	
		CUSTOMER DRAWING		SCALE	SHEET
				1:1	2 OF 2
				REV	A