



# LIGHTHAWK® DUAL TECHNOLOGY WALL SWITCH SENSOR

WALL SWITCH OCCUPANCY SENSORS

## FEATURES

- Digital dual technology: Ultrasonic and Passive Infrared
- IntelliDAPT® self-adaptive technology; no manual adjustment required
- Single and dual relay models for on/off switching
- Occupancy (auto-ON) and Vacancy (manual-ON) operating modes
- 1,000 square-foot, 180° coverage area
- RhinoTuff lens
- 120/277VAC, 347VAC and 24VDC models
- Zero Arc Point Switching



## RELATED PRODUCTS

- [Occupancy Sensor Accessories](#)
- [LightHAWK Dimming Dual Tech](#)
- [LightHAWK Dimming PIR](#)
- [LightHAWK PIR](#)
- [LightHAWK US](#)
- [LightHAWK Night Light](#)

## SPECIFICATIONS

### CONSTRUCTION

- Casing - high - impact injection - molded plastic (UL-94-5V Impact-resistance lens)
- Color-coded leads are 6" (152.4mm) long
- Wrap around galvanized steel mounting strap
- 2.9 oz. (82.21g)
- White; Ivory; Light Almond; Gray; Black
- Dual-element pyrometer and 12-element cylindrical RhinoTuff lens

### MOUNTING

- Single-gang NEMA-style switch box (standard switch box)
- Decorator-style wall plate sold separately

### ELECTRICAL

- 40kHz output
- Natural light override range: 10-500 foot-candles
- 120/277VAC; 50/60Hz
- 347VAC; 50/60Hz
- 24VDC (requires power pack - sold separately)
- 120VAC: 800W Incandescent/ Electronic Ballast/ LED Driver, 1,000W Magnetic Ballast, 1/6 HP Motor
- 277VAC: 1,800W Magnetic Ballast/ Electronic Ballast/ LED Driver: 1/6 HP Motor

### ELECTRICAL (CONTINUED)

- 347VAC: 1,500W Magnetic Ballast/ Electronic Ballast/ LED Driver: 1/6 HP Motor

### OPERATIONS

- IntelliDAPT
  - Self-adjusting timer
  - Self-adjusting Ultrasonic (US) and passive infrared (PIR) sensitivity
  - Automatic false-on/ false-off corrections
  - No manual adjustments required
- Coverage
  - 1,000 square-foot, 180° coverage area
- Timer Setting
  - Auto mode: 4-30 minutes; self-adjusts based on occupancy
  - Fixed mode: 4, 8, 15, and 30 minutes
  - Test mode: 5 seconds

### OPERATING ENVIRONMENT

- Indoor use only
- Operating temperature: 32° to 104°F (0° to 40°C)
- Relative humidity (non-condensing): 0% to 95%

### CERTIFICATIONS

- UL and cUL listed
- This product qualifies as both (i) a "domestic construction material" per FAR §52.225-9 Buy American-Construction Materials and a "(COTS) item" per FAR §2.101 and (ii) a "designated country construction material" per FAR 52.225-11 Buy American-Construction Materials under Trade Agreements effective 5/27/2020. See [Buy American Solutions](#).
- This product qualifies as "designated country construction material" per FAR 52.225-11 Buy American-Construction Materials under Trade Agreements effective 5/27/2020. See [Buy American Solutions](#).

### WARRANTY

- 5 year warranty
- See [HCS Standard Warranty](#) for additional information



# LIGHTHAWK® DUAL TECHNOLOGY WALL SWITCH SENSOR

WALL SWITCH OCCUPANCY SENSORS

## ORDERING GUIDE

Example: LHMTS1-G-WH-U

CATALOG #

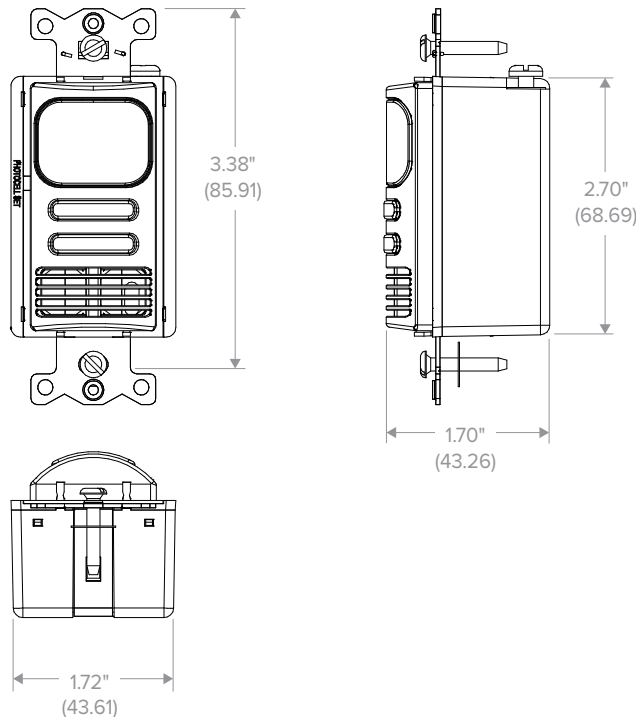
Series		Buttons	Wiring		Color		Mode		BAA/TAA*	
LHMTS	Light-HAWK Dual Technology Single Relay	0 0 <sup>1</sup>	G	Ground (120/277V)	WH	White	Blank	Switchable Vacancy or Occupancy Mode	Blank	Standard Product
LHDCMTD	Light-HAWK Dual Technology Dual Relay	1 1	N	Neutral (120/277V)	IV	Ivory	M	Vacancy Mode Only	U	BAA
LHMTD	Light-HAWK Dual Technology with (2) Low Voltage Outputs (24V Only)	2 2 <sup>2</sup>	24V	Low Voltage <sup>3</sup>	LA	Light Almond				
			G347	Ground (347V)	GY	Gray				
			N347	Neutral (347V)	BK	Black			T	TAA

Notes:

- 1 No button version not available with -M option
- 2 Two button option only available with LHDC model
- 3 Low voltage sensors require a power pack that is sold separately

*Buy American Solutions	
BAA FAR §52.225-9	TAA FAR §52.225-11
LHMTS1-G-WH	LHMTS1-G-WH
	LHMTS1-N-WH
	LHMTS1-24V-WH
	LHDCMTD2-G-WH
	LHMTD2-24V-WH

## DIMENSIONS



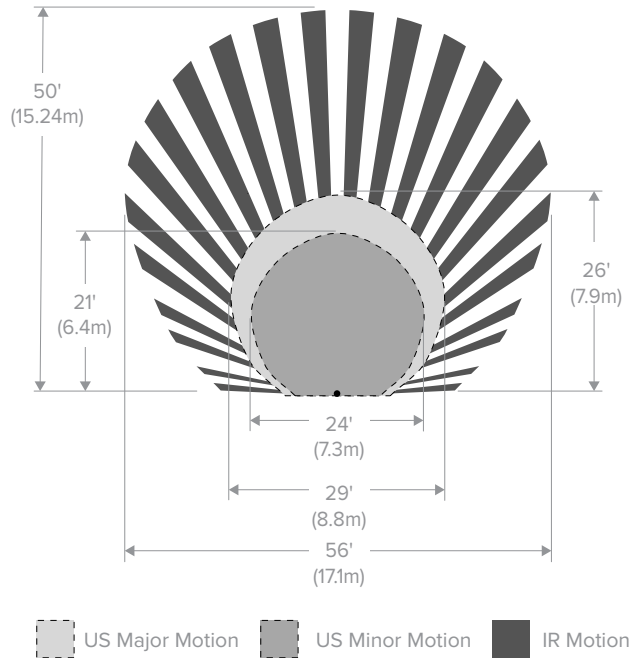


# LIGHTHAWK® DUAL TECHNOLOGY WALL SWITCH SENSOR

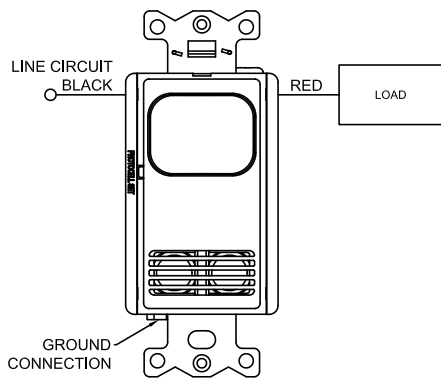
WALL SWITCH OCCUPANCY SENSORS

## ADDITIONAL INFORMATION (CONTINUED)

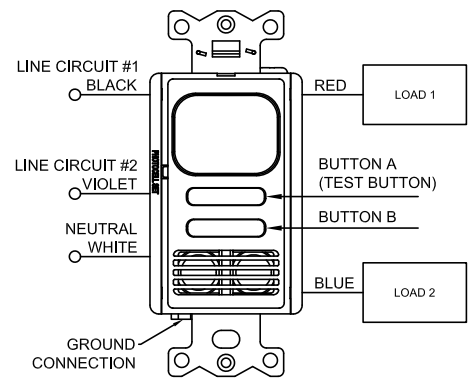
### Coverage Pattern



### Wiring Diagrams



**SINGLE LOAD WIRING**



**DUAL LOAD WIRING**

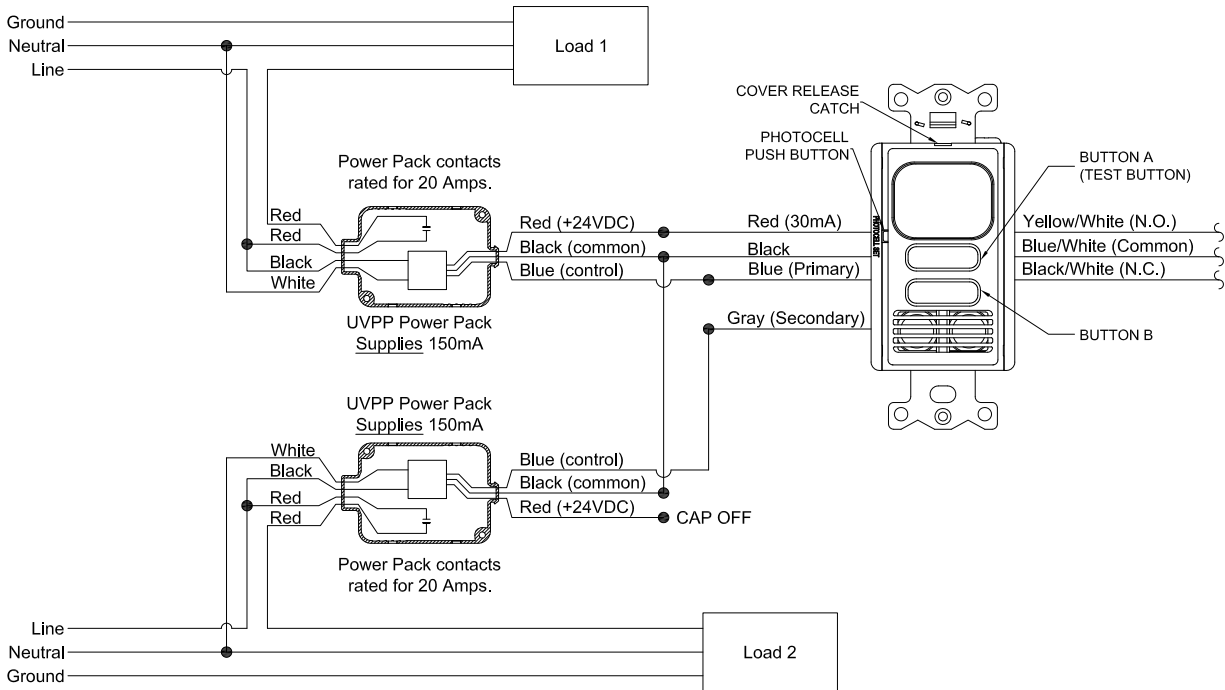


# LIGHTHAWK® DUAL TECHNOLOGY WALL SWITCH SENSOR

WALL SWITCH OCCUPANCY SENSORS

## ADDITIONAL INFORMATION (CONTINUED)

### Wiring Diagrams



Low Voltage Dual Level Control with Two Power Packs