


NO: LC-078
DATE: June 2020

PRODUCT: MS4800S
TYPE: Discontinuation Notice

Discontinuation Notice of Safety Light Curtain MS4800S and accessories

Product Discontinuation	Recommended Replacement
All MS4800 & MS2800 Series	F3SG-4SR & F3SG-2SR Series
Mirrors MIR[...] & F39-MLG[...]	Mirrors F39-SML[...] <i>(To be available in Fall 2020)</i>
 Resource Module RM-2AC-IP MS4800-RM6	N/A N/A
All accessories for MS4800	Equivalent accessories for F3SG

[Final order entry date]

March 31st, 2021

[Date of The Last Shipping]

June 30th, 2021

[Scheduled date of maintenance close]

June 30th, 2023

[Caution on recommended replacement]

The Intelligent Tap device (F39-SGIT-IL3) is required to configure some features via DIP switches, or in combination with the SD Manager 3 configuration tool.

[Difference from discontinued product]

Recommended replacement Model	Body Color	Dimensions	Wire connection	Mounting Dimensions	Characteristics	Operation ratings	Operation methods
F3SG-[]SRA	**	--	--	--	*	*	*
F3SG-[]SRB	**	--	--	--	*	*	*
F39-SML	*	--	-	--	*	*	*



- ** : Compatible
- * : The change is a little/Almost compatible
- : Not compatible
- : No corresponding specification

[Product Discontinuation and recommended replacement]

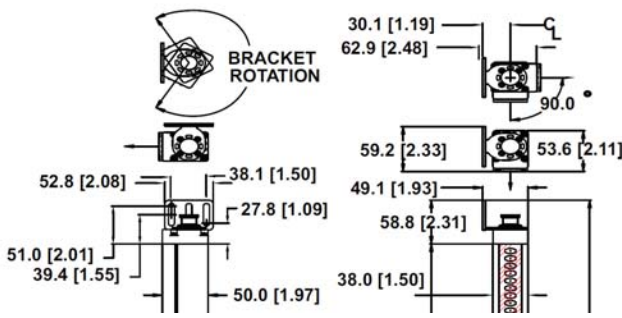
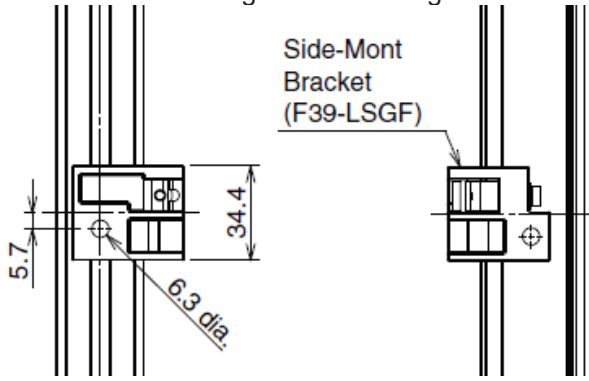
Product discontinuation	Recommended replacement
<i>Safety Light Curtains</i>	
MS4800S-14-[...]	F3SG-4SRA[...]-14
MS4800S-20-[...]	F3SG-4SRA[...]-14
MS4800S-30-[...]	F3SG-4SRA[...]-25
MS4800S-40-[...]	F3SG-4SRA[...]-45
MSF4800[]-14-[...]	F3SG-4SRA[...]-14
MSF4800[]-20-[...]	F3SG-4SRA[...]-14
MSF4800[]-30-[...]	F3SG-4SRA[...]-25
MSF4800[]-40-[...]	F3SG-4SRA[...]-45
MS4800[]-EB-014-[...] (European Models)	F3SG-4SRB[...]-14
MS4800[]-EB-030-[...] (European Models)	F3SG-4SRB[...]-25
MS4800[]-EA-014-[...] (European Models)	F3SG-4SRA[...]-14
MS4800[]-EA-030-[...] (European Models)	F3SG-4SRA[...]-25
MS2800[]-EB-014-[...] (European Models)	F3SG-2SRB[...]-14
MS2800[]-EB-030-[...] (European Models)	F3SG-2SRB[...]-25
MS2800[]-EA-014-[...] (European Models)	F3SG-2SRA[...]-14
MS2800[]-EA-030-[...] (European Models)	F3SG-2SRA[...]-25
MS4800B-20-0680-[...]-4LP (Customer specific models)	F3SG-4SRB0680-14-[...]
<i>Mirrors</i>	
MIRN-[]FG (narrow glass) MIRW-[]FG (wide glass) MIRW-[]SS (wide stainless steel) MIR-[]SS-ESD (narrow stainless) steel F39-MLG[...]	F39-SML-[] (to be available in Fall 2020)
<i>Floor Stands</i>	
MIRS-[]	F39-ST-[] (to be available in Fall 2020)
PA-STAND-[]	F39-ST-[] (to be available in Fall 2020)
MIR45BKT	N/A
<i>Weld Slag Protective Shields</i>	
MS4800WS-[...]	F39-HSG[...]
<i>Enclosures</i>	
MS4800-IP67-[...]	N/A
MS4800-EPKT-[...]	N/A
<i>Resource Module</i>	
RM-2AC-IP	N/A
RM-2AC-IP-CX1	N/A
RM2ACIP-RLY	N/A

Product discontinuation	Recommended replacement
<i>Safety Light Curtains</i>	
MS4800-RM6	N/A (No need for F3SG-4SR)
<i>Other Accessories</i>	
Shock mounting Kits SHMS-18 SHP4-18	N/A
Laser alignment tool 46LA	F39-PTG
MS4800-RM6	N/A
RK-1 RK-2	N/A
All MS4800 Cables and brackets	Check F3SG datasheet for suitable cables and brackets

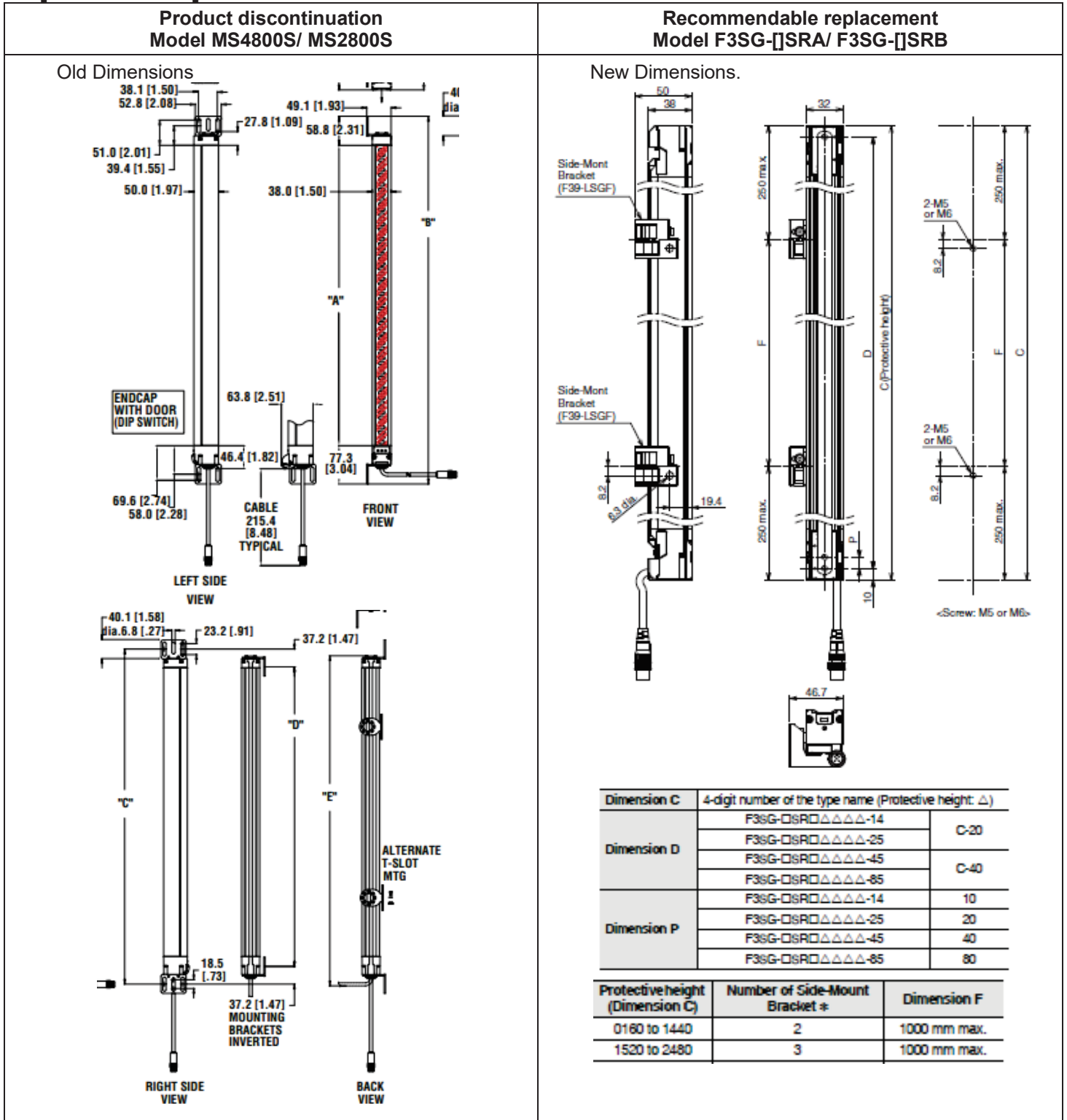
[Body color]

Product discontinuation Model MS4800S & MS2800S	Recommendable replacement Model F3SG-[]SRA & F3SG-[]SRB
<p>Yellow</p> 	<p>Yellow</p> 

[Mounting dimensions]

Product discontinuation Model MS4800S/ MS2800S	Recommendable replacement Model F3SG-[]SRA/ F3SG-[]SRB
<p>Standard mounting: Top & Bottom mounting brackets</p> 	<p>Standard mounting: Side mounting brackets</p> 

[Dimensions]



Product discontinuation Model MS4800S/ MS2800S	Recommendable replacement Model F3SG-[]SRA/ F3SG-[]SRB
<p>How to Calculate System Dimensions:</p> <p>Example: MS4800S-30-0720</p> <p>0720 represents a sensing field of 720 mm</p> <p>Dimension A = sensing field</p> <p>Dimension B = A + 136.0 mm</p> <p>Dimension C = A + 97.3 mm</p> <p>Dimension D = A + 22.9 mm</p> <p>Dimension E = A + 86.9 mm</p>	

[Wire connection]

Product discontinuation Model MS4800S/ MS2800S	Recommendable replacement Model F3SG-[]SRA/ F3SG-[]SRB
<p>Wiring Diagram.</p>	<p>Wiring Diagram</p>

[Characteristics]

Item	Product discontinuation Model MS4800S/ MS2800S	Recommendable replacement Model F3SG-[]SRA/ F3SG-[]SRB
Programming Tool	N/A	Intelligent Tap and/or SDManager 3
Resolution/Detection Capability	14mm, 20mm, 30mm, 40mm	14mm, 25mm, 45mm, 85mm

Item	Product discontinuation Model MS4800S/ MS2800S	Recommendable replacement Model F3SG-[]SRA/ F3SG-[]SRB
Maximum Operating Range	7m (14mm), 20m (20,30, 40mm)	10m (14mm), 20m (25,45,85 mm)
Protective Height	240-1800mm (14,20mm) 280-2120mm (30mm) 360-2040mm (40mm)	160-2000mm (14mm) 160-2480mm (25mm) 240-1520mm (45mm) 280-920mm (85mm)
Safety Output	Two PNP outputs, 500mA each	Two PNP Outputs, 300mA each
Beam Indicator	IBI (Individual Beam Indicators)	ABI (Area Beam Indicators)
Environmental Rating	IP65	IP65, IP67 and IP67G

[Operation methods]

Item	Product discontinuation Model MS4800S/ MS2800S	Recommendable replacement Model F3SG-[]SRA/ F3SG-[]SRB
EDM (External Device Monitoring)	Wiring	Intelligent Tap/ SD Manager 3
Muting	Through RM-6	SD manager 3
Floating Blanking	DIP switches	Intelligent Tap/ SD Manager 3
Fixed Blanking	DIP switches	Intelligent Tap/ SD Manager 3
Reduced Resolution	N/A	SD Manager 3
Range Selection	DIP switches	Intelligent Tap/ Wiring/ SD Manager 3
Response Time Adjustment	N/A	SD Manager 3

Specifications and prices in this product news are as of the issue date and are subject to change without notice. Only main changes in specifications are described in this document. Please be sure to read the relevant catalogs, datasheets, product specifications, instructions, and manuals for precautions and necessary information when using products.