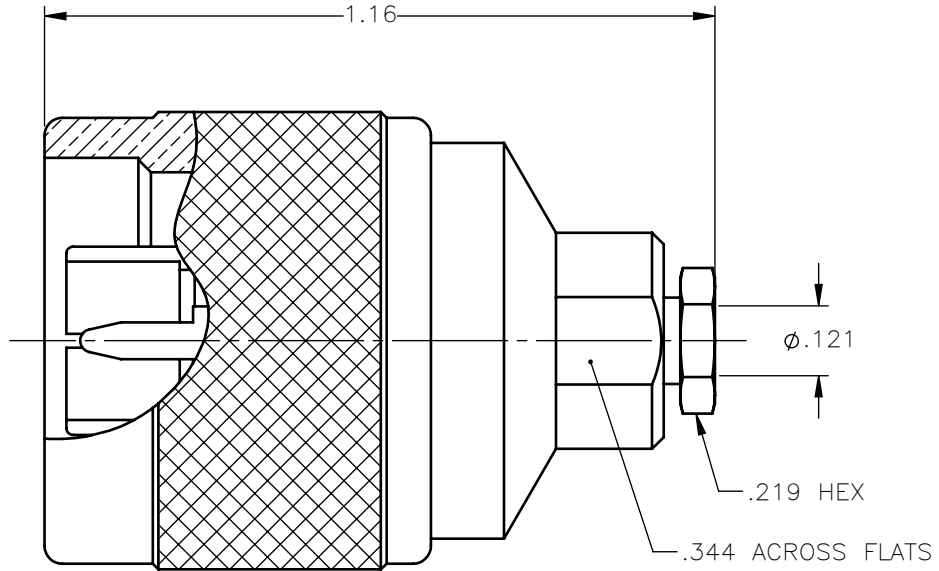


| REVISIONS | | | |
|-----------|-----------------|----------|----------|
| REV. | DESCRIPTION | DATE | APPROVED |
| A | INITIAL RELEASE | 04/23/18 | C.E. |





NOTES:

MATERIALS:

1. INSULATORS = VIRGIN WHITE TEFLON PER ASTM D1710, GRADE 1, TYPE I, CLASS "B".
2. WASHER = PHOSPHOR BRONZE PER ASTM B139, COPPER ALLOY C53400, TEMPER H04.
3. GASKET = DOW CORNING SILASTIC 250, SILICONE RUBBER 45-55 DUROMETER.
4. ALL OTHER METAL PARTS = BRASS PER ASTM B16, ALLOY C36000, TEMPER H02.

FINISHES:

1. CONTACT = GOLD PLATE PER ASTM B488-01, TYPE II, 50µin MIN, GRADE C, OVER 100 TO 200µin STRESS FREE SULFAMATE NICKEL PER QQ-N-290.
2. ALL OTHER METAL PARTS = NICKEL PLATE PER QQ-N-290, 50µin MIN, GRADE G, EXCEPT 100 TO 200µin THICK OVER 50 TO 100µin THICK COPPER PER MIL-C-14550

| | | | | | |
|---|-----------------------|----------------|---|---|------------------------|
| UNLESS OTHERWISE SPECIFIED DIMENSIONS ARE IN INCHES TOLERANCES ON | DWN: C.E. | DATE: 04/23/18 |  Property of Radiall This document cannot be reproduced or communicated to a third party without prior written permission of RADIALL. |  | |
| | CHKD: D.N. | DATE: 04/23/18 | | | |
| DECIMAL | ANGLE | APVD: J.M. | DATE: 04/23/18 | TYPE "N" STRAIGHT PLUG CLAMP TYPE FOR RG-316 & SIMILAR CABLES | |
| REFERENCE: | MATERIALS & FINISHES: | SIZE: A | FSCM NO.: 19505 | | DWG NO.: 4000-7051-003 |
| ORIGINATED: C.E. DATE: 04/23/18 | SEE NOTES | SCALE: 3:1 | THIRD ANGLE PROJECTION | | REV: A |
| | | | SHEET 1 OF 1 | | |

4000-7051-003