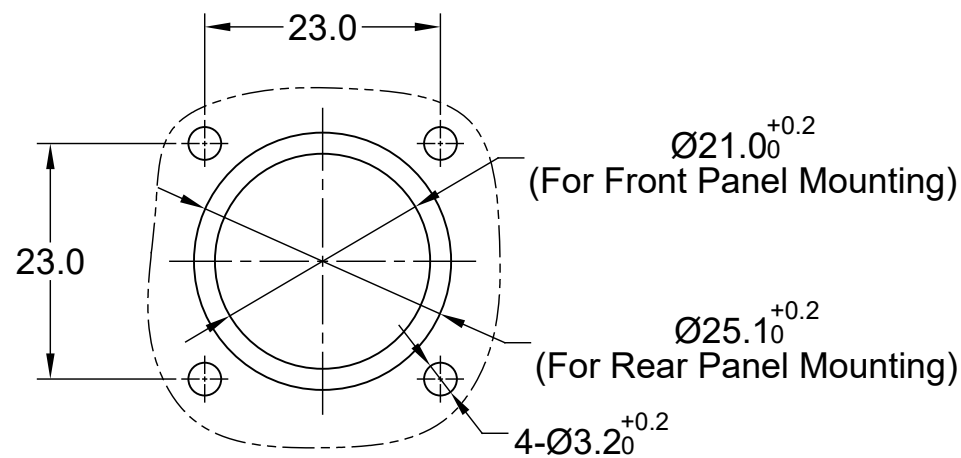
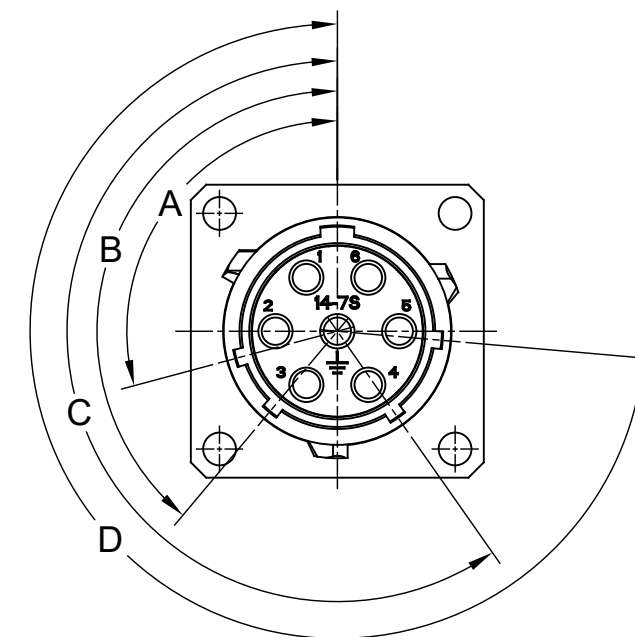
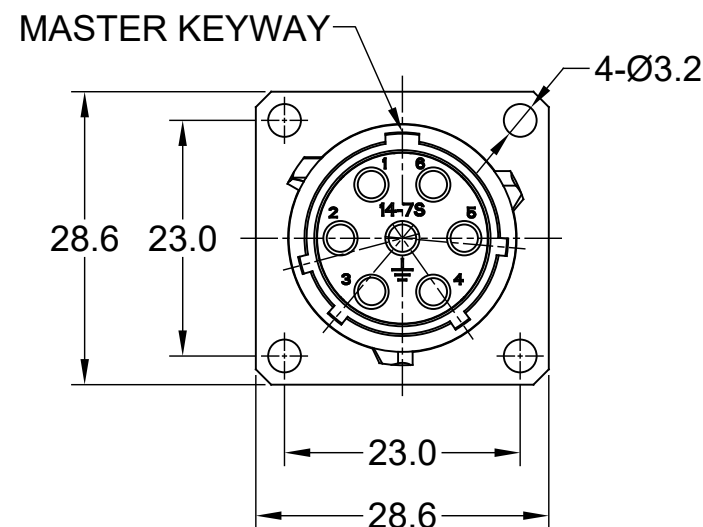
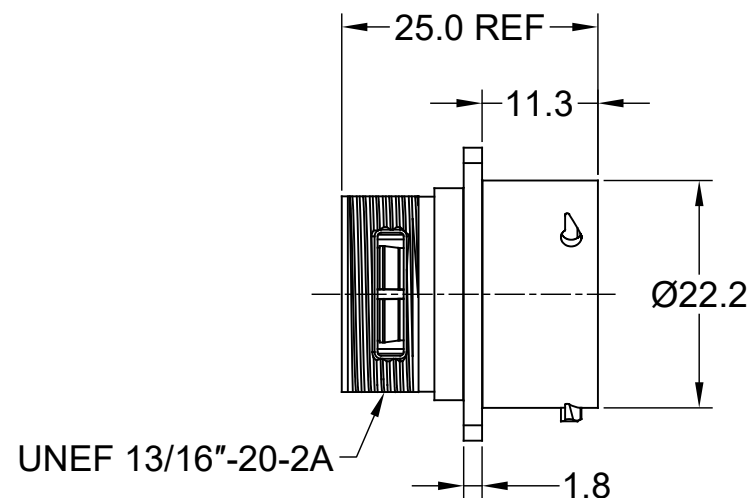
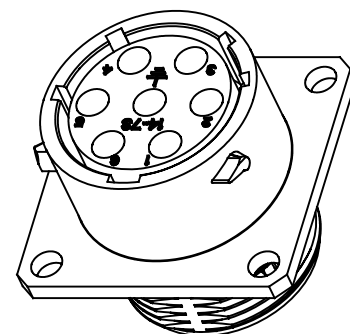


REVISIONS					
REV	ECO	DESCRIPTION	DATE	BY	APPR
A1	-	RELEASED DRAWING	May-20-21	Flan	Tommy



PANEL CUT OUT REFERENCE



NOTES: (UNLESS OTHERWISE SPECIFIED)

1. MATERIAL:

SHELL: ZINC ALLOY, NICKEL PLATED.
 INSERT: THERMOPLASTIC, UL94 V-0.
 SEAL GASKET: NBR/SILICONE RUBBER.
 O-RING: NBR/SILICONE RUBBER.

2. SPECIFICATIONS:

- 2.1 RATED CURRENT: 13A(MAX).
- 2.2 RATED VOLTAGE: 500V (AC/DC) .
- 2.3 OPERATING TEMPERATURE: SEE CHART.
- 2.4 DIELECTRIC WITHSTANDING VOLTAGE: LESS THAN 2 MILLIAMPS CURRENT LEAKAGE@2000 VOLTS AC.
- 2.5 INSULATION RESISTANCE: 5000 MEGOHMS MIN.
- 2.6 IP--CLASS: IP67 (MATED CONDITION).
- 2.7 MATING CYCLES DURABILITY: 500 CYCLES MIN.
- 2.8 RoHS COMPLIANT.

3. SUITABLE CONTACTS : 16# CONTACTS.

4. ALL DIMENSIONS ARE FOR REFERENCE USE ONLY.

KEY POS	PART NUMBER		A	B	C	D
	-40°C ~ 105°C	-40°C ~ 125°C				
N	RT00147SNH	RT00147SNH03	105°	140°	215°	265°
W	RT00147SWH	RT00147SWH03	60°	140°	215°	265°
X	RT00147SXH	RT00147SXH03	105°	160°	215°	265°
Y	RT00147SYH	RT00147SYH03	105°	140°	225°	265°
Z	RT00147SZH	RT00147SZH03	105°	140°	215°	295°

QUANTITY	SEE PART NUMBER PART NUMBER	DESCRIPTION	ITEM
MATERIALS LIST			
UNLESS OTHERWISE SPECIFIED 1) All dimensions are in metric(mm). 2) Tolerances are as follows: 1 PL DEC ±0.30 2 PL DEC ±0.15 3 PL DEC ±0.08 Fractions ±1/64 Angles ±1° 3) Note reference =		SIGNATURES DRAWN: Flan CHECKED: Blink ENGINEER: APPROVAL: Tommy	DATE May-19-21 May-20-21 May-20-21
MATERIAL SPECIFICATIONS:		CUSTOMER:	
PROCESS SPECIFICATIONS:		THIS DRAWING IS SUPPLIED FOR INFORMATION ONLY. DESIGN FEATURES, SPECIFICATIONS AND PERFORMANCE DATA SHOWN HEREON ARE THE PROPERTY OF THE AMPHENOL CORPORATION. NO RIGHTS OF REPRODUCTION ARE IMPLIED. ALL DIMENSIONS ARE SUBJECT TO NORMAL MANUFACTURING VARIATIONS.	
NEXT ASSY:		SIZE B	REVISION A1
		TYPE C-	DWG NO. RT00147S*Hx
		SCALE NONE	SHEET 1 OF 1

TITLE: EcoMate RM,RECEPTACLE SIZE 14,7POS,SOCKET.
 DWG NO.: RT00147S*Hx
 REV: A1
 SH: 1
 OF: 1

Amphenol

Sine Systems - www.amphenol-sine.com
 44724 Morley Drive
 Clinton Township, MI 48036

EcoMate RM,RECEPTACLE,
 SIZE 14,7POS,SOCKET.