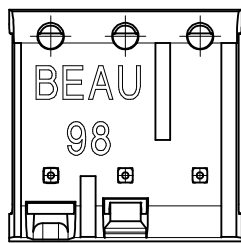
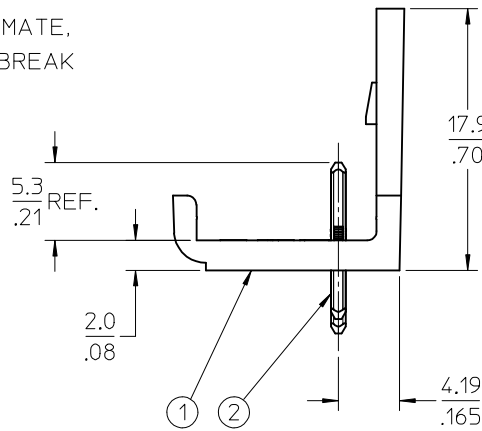
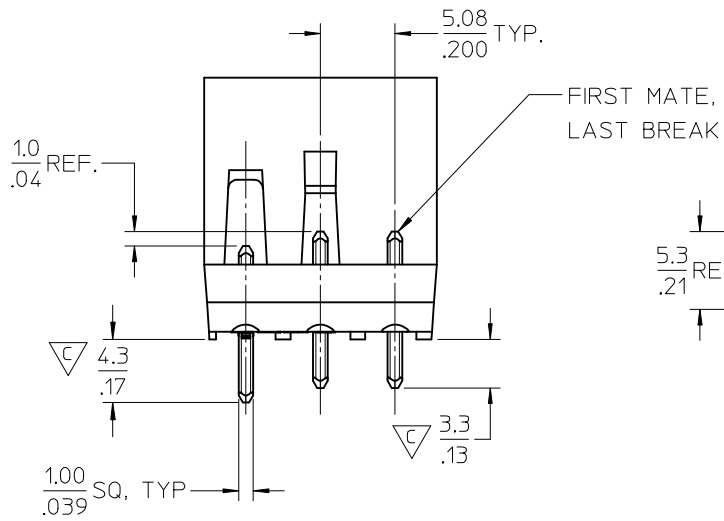
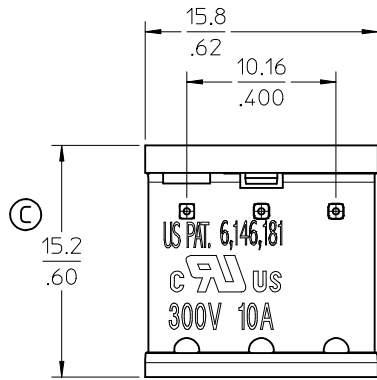
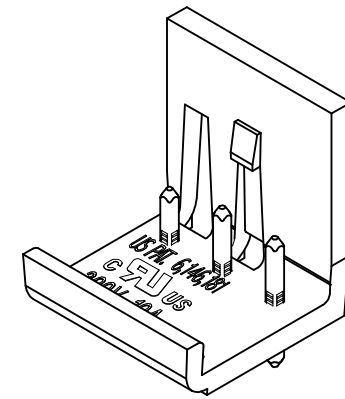


- NOTES:
1. MATERIAL: SEE TABLE
 2. FINISH: SEE TABLE
 3. ASSEMBLY IS RoHS COMPLIANT
 4. DIMS. SHOWN ARE FOR REFERENCE ONLY

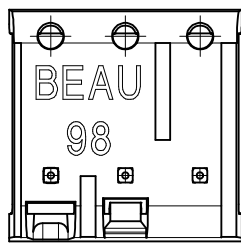


2	3	CONTACT, PIN, STRAIGHT	BRASS	TIN PLATE
1	1	INSULATOR, SR, 5.08MM	PA46 NYLON, GF	BLACK
ITEM	QTY.	DESCRIPTION	MATERIAL	FINISH

60 WAS .62 PER FP1R EC NO: IFC2015-1045 DR: MURPHY 2014/12/01 CHK: B ARDEN 2014/12/03 APPR: J MURPHY 2014/12/03	QUALITY SYMBOLS ▽=0 ▽=2	GENERAL TOLERANCES (UNLESS SPECIFIED)		DIMENSION STYLE MM/IN		SCALE 3:1	DESIGN UNITS INCH	THIRD ANGLE PROJECTION		
		4 PLACES	± ---	± ---	DRAWN BY	DATE	SINGLE ROW EUROSTYLE PCB HEADER, 5.08MM, SPCL 3/C MOLEX INCORPORATED DOCUMENT NO. SD-39989-010 SHEET NO. 1 OF 1			
		3 PLACES	± ---	± .005	C. YORK	2006/04/21				
		2 PLACES	± 0.13	± .01	R. DEROSS	2006/04/21				
1 PLACE	± 0.25	± ---	R. DEROSS	2006/04/21						
ANGULAR ± 2 °		DRAFT WHERE APPLICABLE MUST REMAIN WITHIN DIMENSIONS		MATERIAL NO. 399890021						
				SIZE B	THIS DRAWING CONTAINS INFORMATION THAT IS PROPRIETARY TO MOLEX INCORPORATED AND SHOULD NOT BE USED WITHOUT WRITTEN PERMISSION					



- NOTES:
1. MATERIAL: SEE TABLE
 2. FINISH: SEE TABLE
 3. ASSEMBLY IS RoHS COMPLIANT
 4. DIMS. SHOWN ARE FOR REFERENCE ONLY



2	3	CONTACT, PIN, STRAIGHT	BRASS	TIN PLATE
1	1	INSULATOR, SR, 5.08MM	PA46 NYLON, GF	BLACK
ITEM	QTY.	DESCRIPTION	MATERIAL	FINISH

60 WAS .62 PER FP1R EC NO: IFC2015-1045 DR: MURPHY 2014/12/01 CHK: B ARDEN 2014/12/03 APPR: J MURPHY 2014/12/03	QUALITY SYMBOLS ▽=0 ▽=2	GENERAL TOLERANCES (UNLESS SPECIFIED) mm INCH 4 PLACES ± --- ± --- 3 PLACES ± --- ± .005 2 PLACES ± 0.13 ± .01 1 PLACE ± 0.25 ± --- ANGULAR ± 2 °	DIMENSION STYLE MM/IN DRAWN BY DATE C. YORK 2006/04/21 CHECKED BY DATE R. DEROSS 2006/04/21 APPROVED BY DATE R. DEROSS 2006/04/21	SCALE 3:1 DESIGN UNITS INCH THIRD ANGLE PROJECTION	TITLE SINGLE ROW EUROSTYLE PCB HEADER, 5.08MM, SPCL 3/C
	DRAFT WHERE APPLICABLE MUST REMAIN WITHIN DIMENSIONS		MATERIAL NO. 399890021	DOCUMENT NO. SD-39989-010	SHEET NO. 1 OF 1
	MOLEX INCORPORATED				
	THIS DRAWING CONTAINS INFORMATION THAT IS PROPRIETARY TO MOLEX INCORPORATED AND SHOULD NOT BE USED WITHOUT WRITTEN PERMISSION				