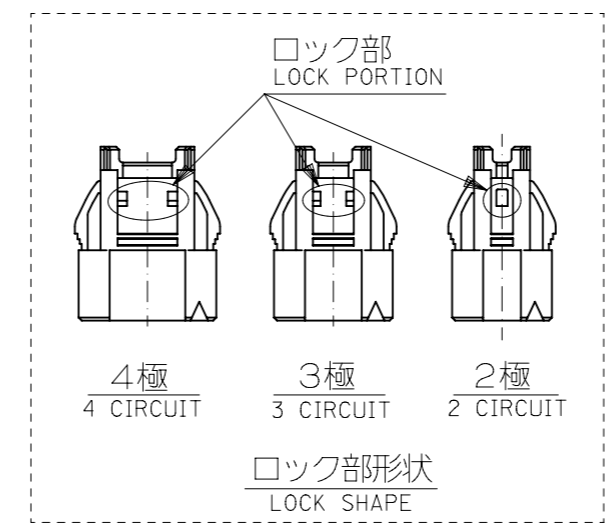
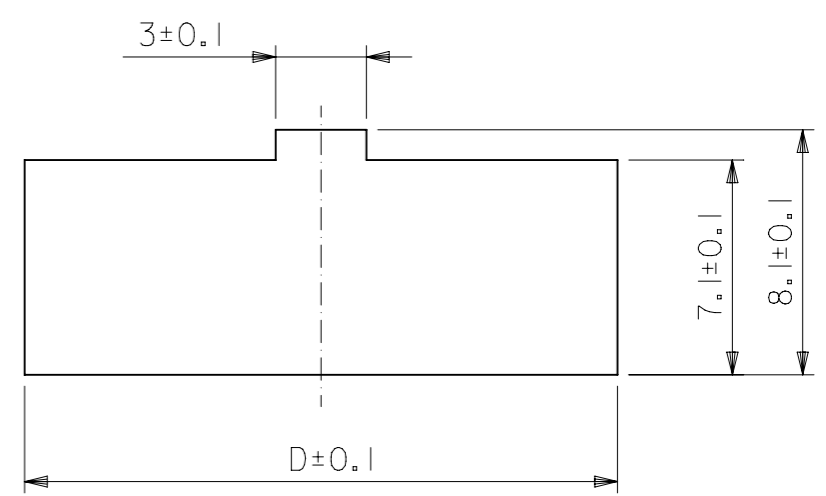


ターミナル装着状態図
TERMINAL ASSEMBLY DRAWING



注記 NOTES.
 1. 適合端子 : 50837-8*00
 APPLICABLE TERMINAL
 2. 本図は、5極を示す。
 5 CIRCUIT VERSION IS SHOWN
 IN THIS DRAWING.
 3. ハウジングは、パネル打ち抜き側から
 挿入すること。
 INSERT HOUSING FROM PUNCH
 SIDE OF PANEL



参考パネルスロット寸法
PANEL SLOT DIM.(REF.)
 (パネル厚: 0.8 ~ 2.0)
 (THICKNESS : 0.8 ~ 2.0)

44.6	46.7	45.7	39.9	51198-1500	15
42.1	44.2	43.2	37.4	-1400	14
39.6	41.7	40.7	34.9	-1300	13
37.1	39.2	38.2	32.4	-1200	12
34.6	36.7	35.7	29.9	-1100	11
32.1	34.2	33.2	27.4	-1000	10
29.6	31.7	30.7	24.9	-0900	9
27.1	29.2	28.2	22.4	-0800	8
24.6	26.7	25.7	19.9	-0700	7
22.1	24.2	23.2	17.4	-0600	6
19.6	21.7	20.7	14.9	-0500	5
17.1	19.2	18.2	12.4	-0400	4
14.6	16.7	15.7	9.9	-0300	3
12.1	14.2	13.2	7.4	51198-0200	2
D	C	B	A	製品番号 MATERIAL NO.	NO. OF CIRCUIT

MATERIAL
 ポリエステル(PBT) POLYESTER
 色: 白 COLOR: WHITE
 UL94V-0

THIS DRAWING CONTAINS INFORMATION THAT IS PROPRIETARY TO MOLEX ELECTRONIC TECHNOLOGIES, LLC AND SHOULD NOT BE USED WITHOUT WRITTEN PERMISSION

DIMENSION UNITS	SCALE	CURRENT REV DESC:		molex	
mm	4:1				
GENERAL TOLERANCES (UNLESS SPECIFIED)				2.5 WIRE TO BOARD CONN. PANEL MOUNT HSG	
ANGULAR TOL ± 3.0°				PRODUCT CUSTOMER DRAWING	
4 PLACES ±		EC NO: 698824	2022/02/03	DOCUMENT NUMBER	DOC TYPE DOC PART REVISION
3 PLACES ±		DRWN: RWATANABE01	2022/03/16	SD-51198-002	PSD 001 D
2 PLACES ±		CHK'D: AIDA	2022/03/17		
1 PLACE ± 0.2		APPR: SAKIYAMA	2022/03/17	MATERIAL NUMBER CUSTOMER	
0 PLACES ± 0.2		INITIAL REVISION:		SEE CHART	GENERAL MARKET
DRAFT WHERE APPLICABLE MUST REMAIN WITHIN DIMENSIONS		DRWN: RFC_PLMIMP	2018/10/15	SHEET NUMBER	
THIRD ANGLE PROJECTION		APPR: TKANEKO	2016/02/22	A3-SIZE	51198