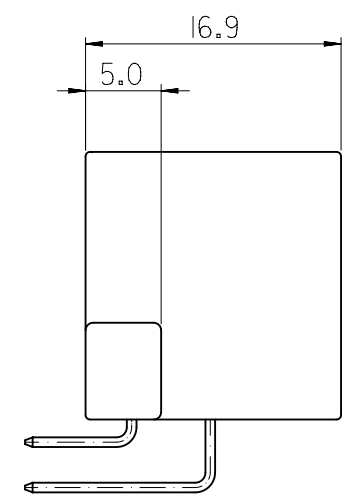
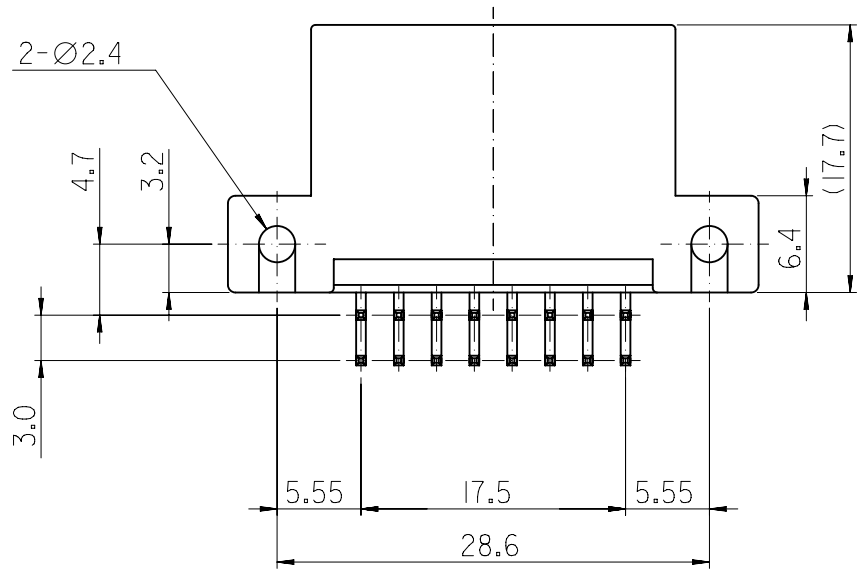


HEADER HOUSING
(68145-1685/1686)

SECTION A-A

HEADER PIN(L)
(35483-9102)
HEADER PIN(S)
(35483-9202)

RECOMMENED P.C.B HOLE DIM.(MOUNT SIDE)



NOTES

- 1.APPLICABLE FEMALE HOUSING : 35563-1615
- 2.MATERIAL:HOUSING-POLYESTER (PBT),G/F 15%
TERMINAL-BRASS, FINISH-TIN PLATING

NO.	PART NO.	PART NAME	MATERIAL	COLOR	REMARK
1	68145-1625	.040 W/B 16P HEADER ASS'Y	PBT, G/F 15%	GRAY	

THIS DRAWING CONTAINS INFORMATION THAT IS PROPRIETARY TO MOLEX ELECTRONIC TECHNOLOGIES, LLC AND SHOULD NOT BE USED WITHOUT WRITTEN PERMISSION

DIMENSION UNITS mm	SCALE 2:1	CURRENT REV DESC:		molex		
GENERAL TOLERANCES (UNLESS SPECIFIED)		EC NO: 624787				
4 PLACES ± 0.0 ±		DRWN: RPRABHUM	2019/05/23			
3 PLACES ± 0.0 ±		CHK'D: GGA	2019/11/11			
2 PLACES ± 0.2 ±		APPR: GGA	2019/11/11	PRODUCT CUSTOMER DRAWING		
1 PLACE ± 0.3 ±		INITIAL REVISION:		DOCUMENT NUMBER		
0 PLACES ±		DRWN: Y.SIK.KIM	1999/04/29	SD-68145-005		DOC TYPE
ANGULAR TOL ± 1.0°		APPR: C.W.LEE	1999/04/30	PSD	DOC PART	REVISION
DRAFT WHERE APPLICABLE MUST REMAIN WITHIN DIMENSIONS	THIRD ANGLE PROJECTION	DRAWING	SERIES	MATERIAL NUMBER	CUSTOMER	SHEET NUMBER
		B-SIZE	68145	681451625	SAMSUNG MOTORS	1 OF 1