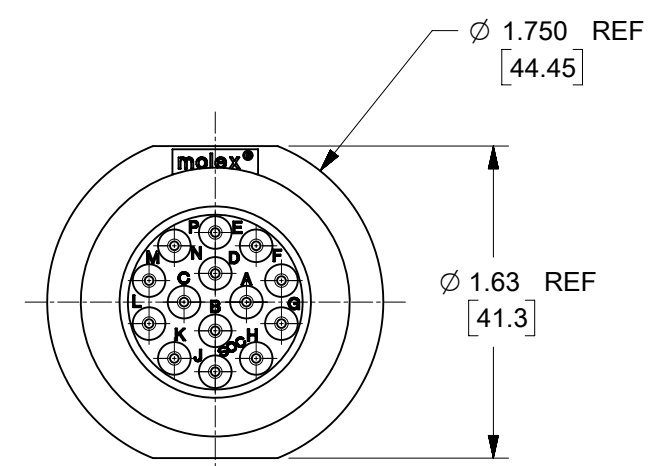
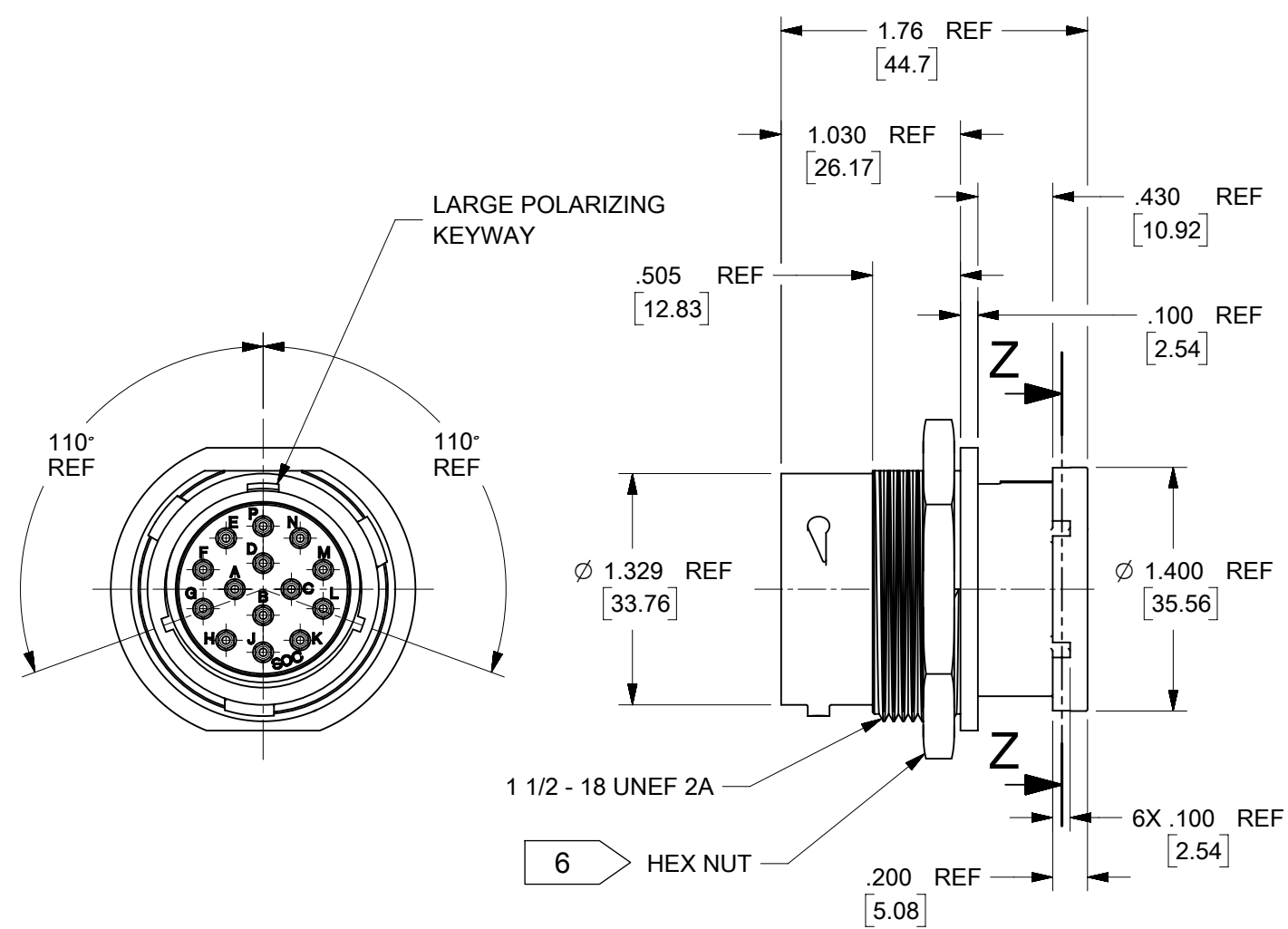
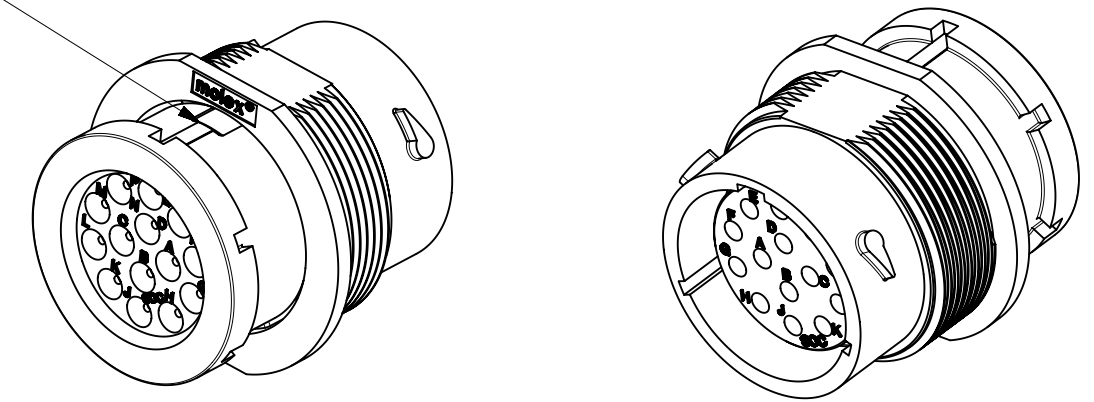
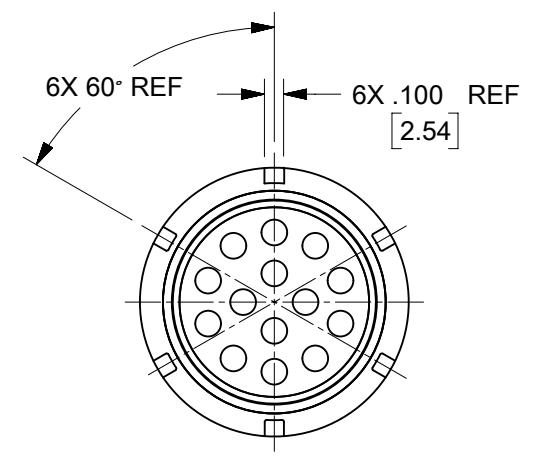


MATERIAL NUMBER	WIRE AWG	INSUL DIA O.D.
845080001	18-14	.053[1.35] - .134[3.40]

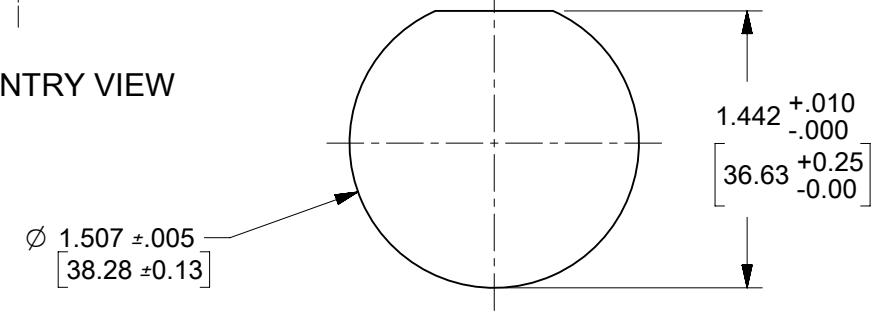
LARGE POLARIZING
KEY INDICATOR



WIRE ENTRY VIEW



SECTION Z-Z



RECOMMENDED MOUNTING HOLE

- NOTES:
- MATERIALS:
HOUSINGS: POLYESTER (PBT), GLASS FILLED, UL94V-0 & POLYETHERIMIDE (PEI), UNFILLED, UL94V-0.
COLOR, UNLESS OTHERWISE SPECIFIED: BLACK
SEALS: SILICONE RUBBER
COLOR: RUST RED
 - PRODUCT SPECIFICATION: PS-84501-001.
 - MATES WITH: SERIES 84501 PLUG CONNECTOR.
 - USE CONNECTOR WITH FEMALE CRIMP TERMINAL SERIES 84525.
 - ALL COMPONENTS ARE ROHS COMPLIANT.
 - 6 HEX NUT SOLD SEPARATELY, OPTIONAL FOR PANEL MOUNTING. MOLEX MATERIAL NUMBER 845020004.
 - RECOMMENDED PANEL THICKNESS .062[1.58] TO .187[4.76]

QUALITY SYMBOLS	THIS DRAWING CONTAINS INFORMATION THAT IS PROPRIETARY TO MOLEX ELECTRONIC TECHNOLOGIES, LLC AND SHOULD NOT BE USED WITHOUT WRITTEN PERMISSION									
	▽ = 0 ▽ = 0 ▽ = 0 ▽ = 0 ▽ = 0 ▽ = 0 ▽ = 0 ▽ = 0 ▽ = 0	CAD MIGRATION EC NO: 120775 DRWN: CRAODOREMS CHK'D: SMCGREEVY REV APPR: JDWALLACE	GENERAL TOLERANCES (UNLESS SPECIFIED)		DIMENSION UNITS	SCALE				
MM			INCH	IN[MM]	1:1					
			4 PLACES ±	±	DRWN BY	DATE	RECPT. CONNECTOR ASSEMBLY, 18-14 POS SOCKET TERMINALS			
			3 PLACES ±	± 0.015	DMYRICK	2006/6/26				
			2 PLACES ±	± 0.38 ± 0.02	CHK'D BY	DATE	PRODUCT CUSTOMER DRAWING			
			1 PLACES ±	± 0.5 ±	JPAWLICKI	2006/6/26				
			0 PLACES ±	±	APPR BY	DATE	SERIES MATERIAL NUMBER CUSTOMER 84508 SEE CHART GENERAL MARKET			
			ANGULAR TOL ± 1.0		RDEROSS	2006/6/26				
			DRAFT WHERE APPLICABLE MUST REMAIN WITHIN DIMENSIONS		DRAWING SIZE	THIRD ANGLE PROJECTION	DOCUMENT NUMBER DOC TYPE DOC PART SHEET NUMBER SD-84508-001 PSD 001 1 OF 1			
					B					

RELEASE STATUS	P1	RELEASE DATE	24.08.2017	10:27:22
----------------	----	--------------	------------	----------