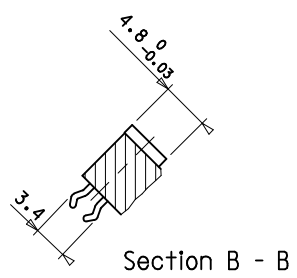
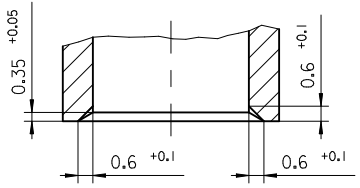
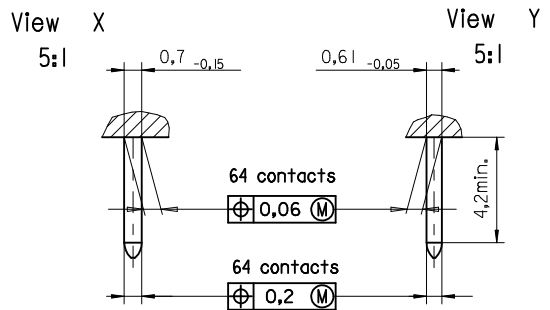
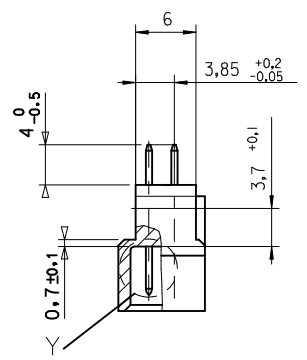
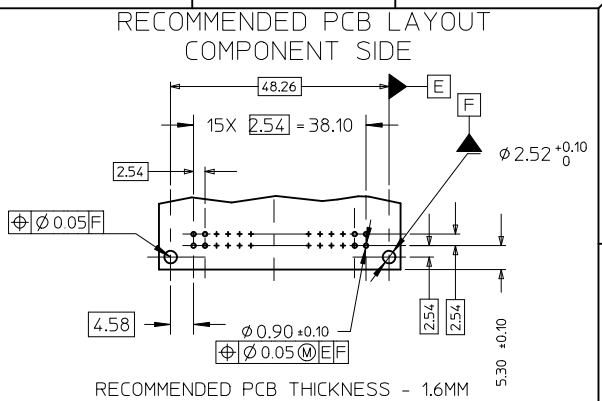
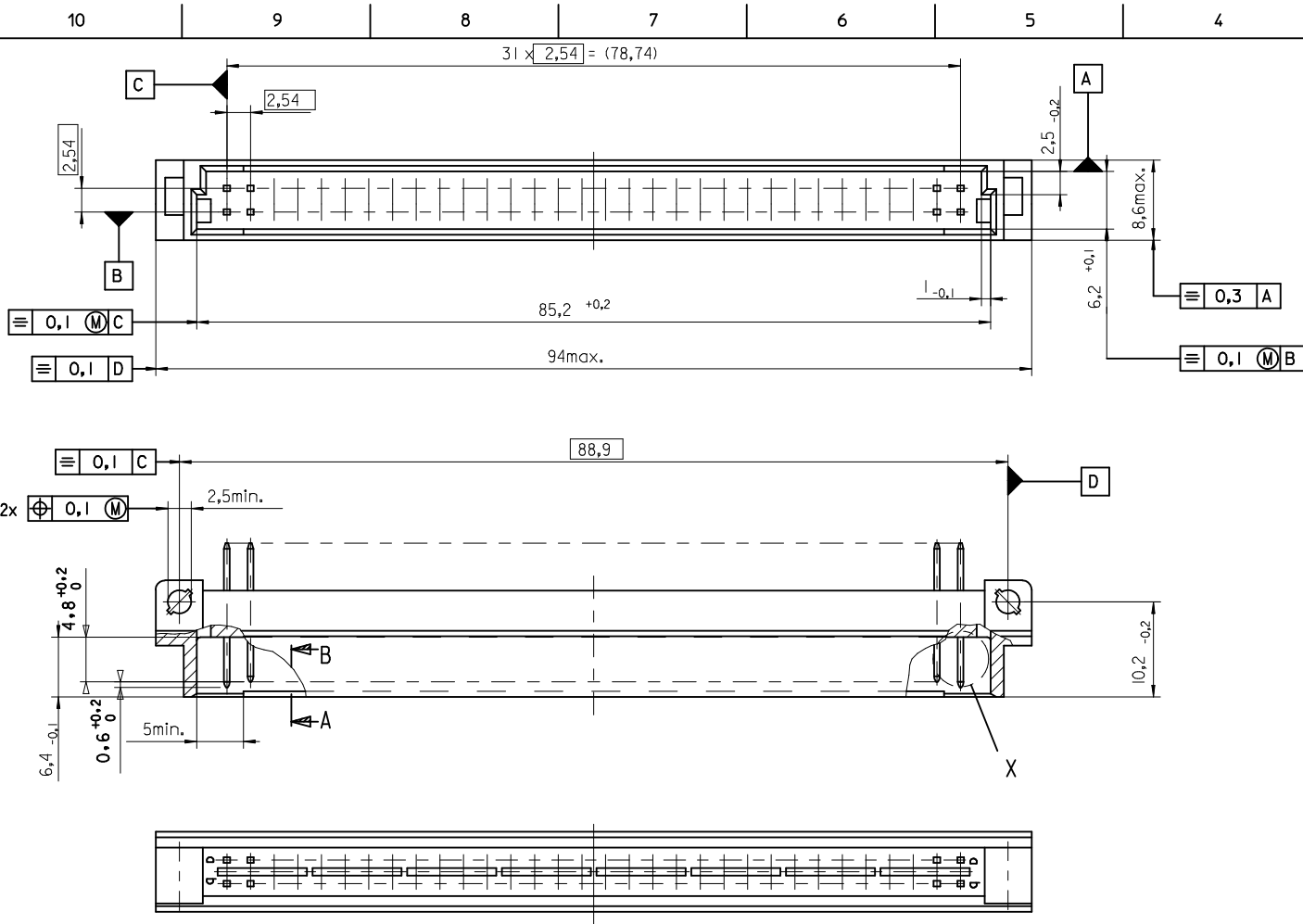


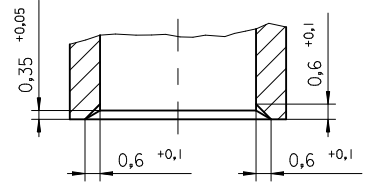
Section A - A  
5:1



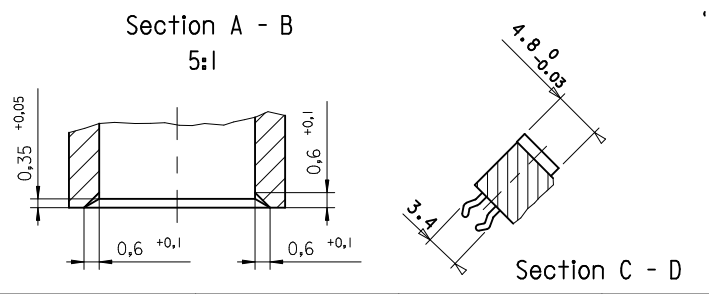
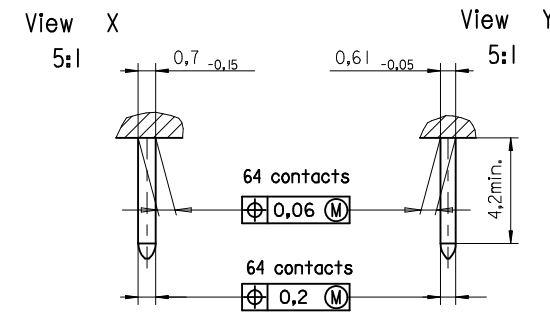
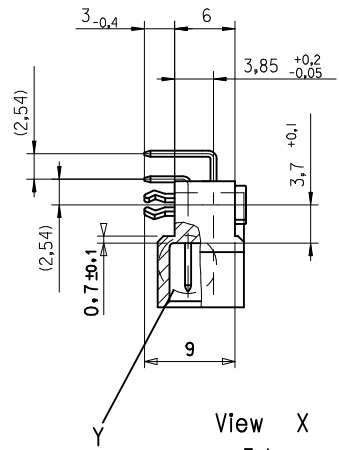
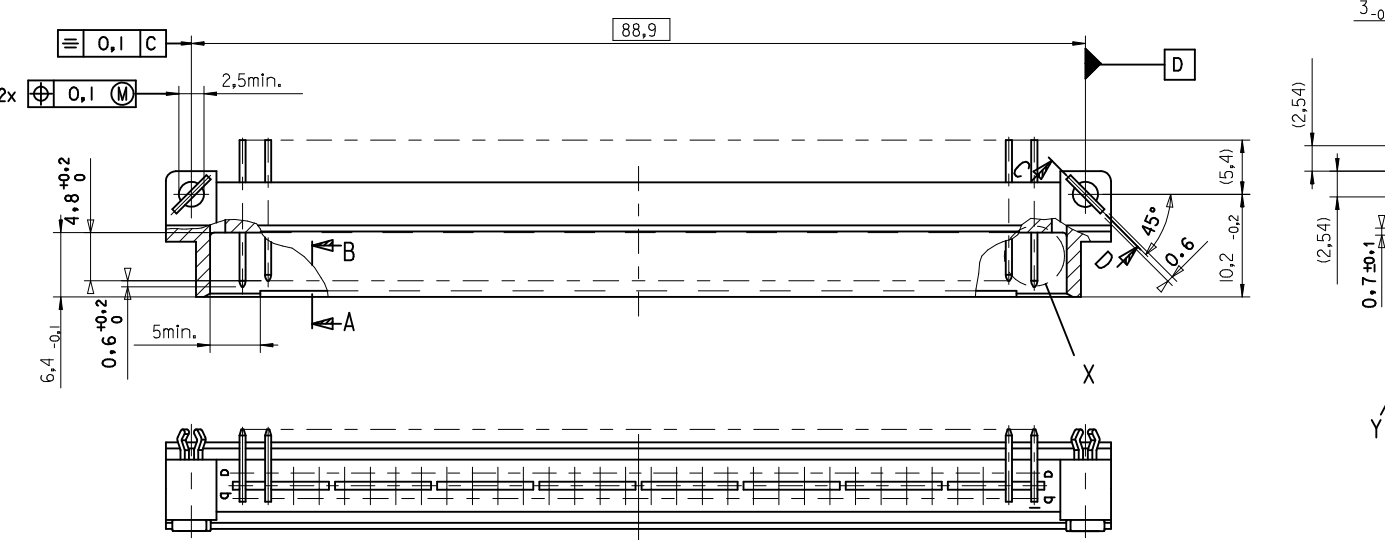
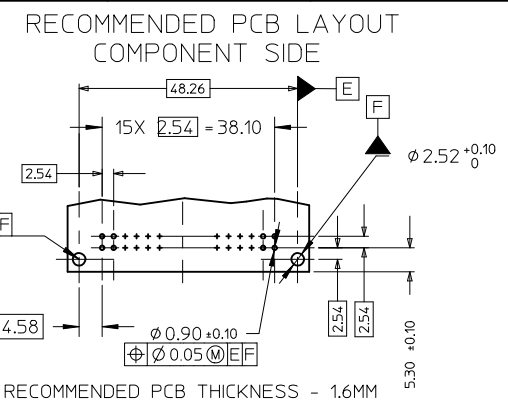
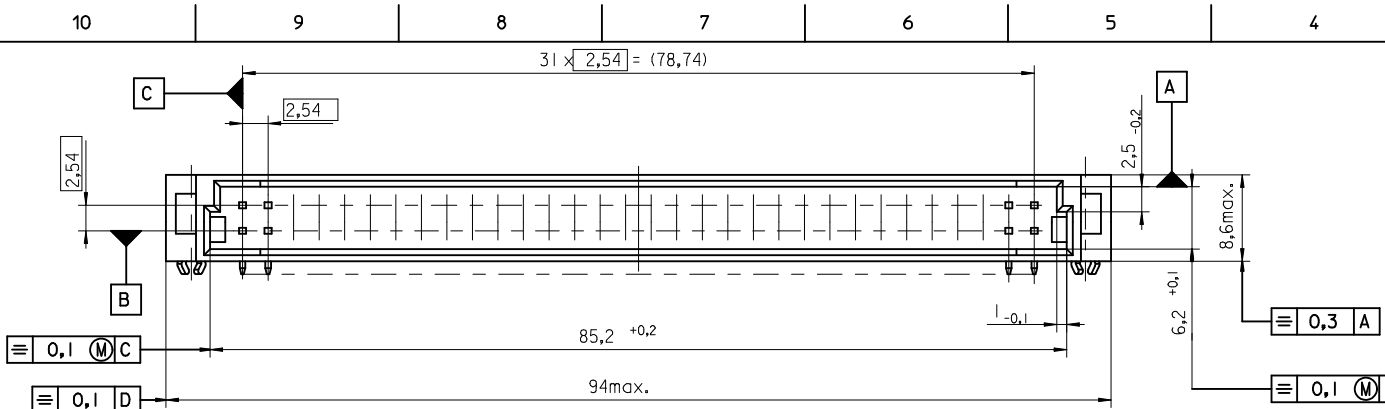
ENTER DESCRIPTION EC NO: DRAWN BY: VUTTARKAR CHKD: KPRASAD APPR:	QUALITY SYMBOLS	GENERAL TOLERANCES (UNLESS SPECIFIED)		DIMENSION STYLE MM ONLY		SCALE 1:1	DESIGN UNITS METRIC	FIRST ANGLE PROJECTION		
	$F_A=0$	mm	INCH	DRAWN BY	DATE	TITLE				
	$F_C=0$	4 PLACES	± ---	± ---	VUTTARKAR	2011/09/23	64 POS. MALE CONNECTOR ACC. DIN 41612 STYLE B DIMENSIONS			
	$F_B=0$	3 PLACES	± ---	± ---	CHECKED BY	DATE	MOLEX INCORPORATED			
		2 PLACES	± ---	± ---	KPRASAD		DOCUMENT NO. SDA-85001-0001			
		1 PLACE	± ---	± ---	APPROVED BY	DATE	SHEET NO. 1 OF 03			
		ANGULAR ± ---°		MATERIAL NO.		THIS DRAWING CONTAINS INFORMATION THAT IS PROPRIETARY TO MOLEX INCORPORATED AND SHOULD NOT BE USED WITHOUT WRITTEN PERMISSION				
		DRAFT WHERE APPLICABLE MUST REMAIN WITHIN DIMENSIONS		SIZE A3						



Section A - B  
5:1



ENTER DESCRIPTION EC NO: DRWN:VUTTARKAR 2011/09/23 CHKD:KPRASAD APPR:	QUALITY SYMBOLS	GENERAL TOLERANCES (UNLESS SPECIFIED)		DIMENSION STYLE MM ONLY		SCALE 1:1	DESIGN UNITS METRIC	FIRST ANGLE PROJECTION	
	▽ F = 0	4 PLACES	mm	INCH	DRAWN BY VUTTARKAR	DATE 2011/09/23	TITLE 64 POS. MALE CONNECTOR ACC. DIN 41612 STYLE B DIMENSIONS		
	▽ F = 0	3 PLACES	± ---	± ---	CHECKED BY KPRASAD	DATE	MOLEX INCORPORATED		
	▽ F = 0	2 PLACES	± ---	± ---	APPROVED BY	DATE	MATERIAL NO. 850010036		
	ANGULAR ± --- °	1 PLACE	± ---	± ---	DOCUMENT NO. SDA-85001-0001		SHEET NO. 2 OF 03		
DRAFT WHERE APPLICABLE MUST REMAIN WITHIN DIMENSIONS			SIZE A3		THIS DRAWING CONTAINS INFORMATION THAT IS PROPRIETARY TO MOLEX INCORPORATED AND SHOULD NOT BE USED WITHOUT WRITTEN PERMISSION				



<b>ENTER DESCRIPTION</b> EC NO: 2011/09/23 DRWN: VUTTARKAR CHYK: KPRASAD APPR:	QUALITY SYMBOLS $F_A = 0$ $F_B = 0$ $F_C = 0$	GENERAL TOLERANCES (UNLESS SPECIFIED) mm    INCH 4 PLACES ± --- ± --- 3 PLACES ± --- ± --- 2 PLACES ± --- ± --- 1 PLACE ± --- ± --- ANGULAR ± --- °	DIMENSION STYLE <b>MM ONLY</b>	SCALE <b>1:1</b>	DESIGN UNITS <b>METRIC</b>	FIRST ANGLE PROJECTION
	DRAWN BY: VUTTARKAR CHECKED BY: KPRASAD APPROVED BY:	DATE: 2011/09/23	MATERIAL NO. <b>850010036</b>	TITLE <b>64 POS. MALE CONNECTOR ACC. DIN 41612 STYLE B DIMENSIONS</b>	DOCUMENT NO. <b>SDA-85001-0001</b>	SHEET NO. <b>03 OF 03</b>
	DRAFT WHERE APPLICABLE MUST REMAIN WITHIN DIMENSIONS		MOLEX INCORPORATED	THIS DRAWING CONTAINS INFORMATION THAT IS PROPRIETARY TO MOLEX INCORPORATED AND SHOULD NOT BE USED WITHOUT WRITTEN PERMISSION		
			SIZE <b>A3</b>			

