

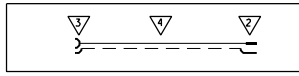
**WIRING DIAGRAM : 16 CORE CABLE**

CIRCUIT No.	CONDUCTOR No.	CIRCUIT No.
2	1	2
1	2	1
3	3	3
6	5	4
4	6	3
10	16	4
12	6	5
10	15	6
8	7	7
14	14	8
3	8	9
5	13	10
7	9	11
9	12	12
13	10	13
11	11	14
15	3	15
16	4	16

BRAD

DRAIN WIRE

**WIRING DIAGRAM : R.F. CABLE**



**CABLE SPECIFICATION : 16 CORE CABLE**

1. CABLE TYPE: FLAT  SPIRAL CABLE  RIBBON  ROUND  OTHER

2. CABLE REQUIREMENTS: N/A

3. CONDUCTOR SPECIFICATIONS:

CONDUCTOR No.	CONDUCTOR NO.		COLOURS:
	1 - 4	5 - 16	
CONDUCTOR 1	CENTRE	OUTSIDE	L. WHITE
MATERIAL	TINNED CU	TINNED CU	L. GREEN
A.S.G.	22	30	L. YELLOW
STRANDING O.T./GAUGE	R/34	7/38	S. GREY
TENSILE STRENGTH	N/A	N/A	S. PINK
MATERIAL	PVC	SEMI-RIGID PVC	S. RED
MEL. WALL THICKNESS	0.18 REF	0.18 REF	Q. RED/BLACK
COL. SUP.	SEE CABLE DIAGRAM	SEE CABLE DIAGRAM	Q. WHITE/GREEN
OUTSIDE DIAMETER	1.25 REF	0.70 REF	H. BROWN/GREEN
DIRECTION OF LAY	Z	S	W. WHITE/YELLOW
LENGTH OF LAY	32 REF	45 REF	W. YELLOW/BROWN
ILL. RATING	UL	#92	

4. FILLER: ENOUGH TO MAKE THE ASSEMBLY ROUND

5. SEPARATOR: N/A

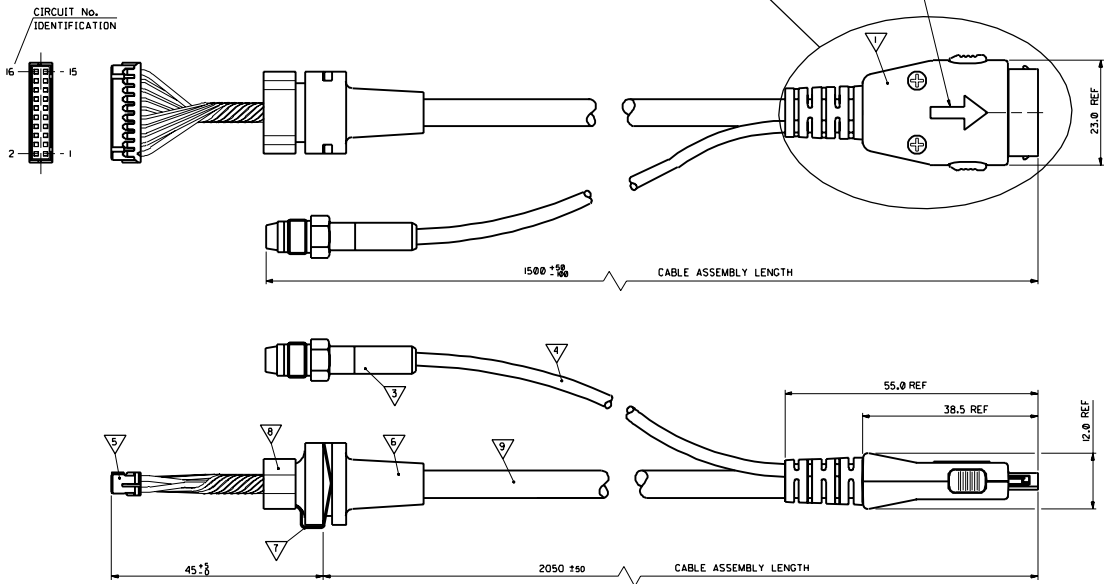
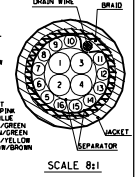
6. SHIELD: N/A

7. DRAIN WIRE: GAUGE: 28 AWG; STRANDING: 7/34; REQUIREMENT: DRAIN TO BE ON THE OUTSIDE OF THE SEPARATOR

8. SPIRAL BRAID: GAUGE: 24 x 8 x 0.1; COPPER TYPE: TINNED CU; CONDUCT: 30

9. CABLE JACKET: TYPE: PVC (GENERAL PURPOSE EXTRUSION GRADE); FINAL DIAMETER: 0.6 REF; MIN. THICKNESS: 0.2 REF; COLOUR: BLACK; FINISH: MATT; U.L. RATING: UL 2927E; HARDNESS: 61 D SHORE B; TO BE RE-ALIGNED BETWEEN THUMB AND FOREFINGER; STRIPABILITY: STRIPABLE; MARKINGS: YEAR AND MONTH OF MANUFACTURE ACCORDING TO IEC 62 INDEX 5.1; PRINTED IN WHITE EVERY 500.

10. PACKAGING: PACKAGING: SEE PACKAGING SPECIFICATION ESTABLISHED BY LOCAL PURCHASING AND MANUFACTURING DEPARTMENTS.



**BILL OF MATERIALS**

NO.	QUANTITY	SUPPLIER	DESCRIPTION	PART No.	SEE NOTE
1	1	MOLEX	16 CIRCUIT I/O MOBILE PHONE PLUG CONNECTOR	90813-0001	1, 2, 3
2	1	MOLEX	COAXIAL RF CONNECTOR	90853-0001	
3	1	ROSENBERGER	COAXIAL RF CONNECTOR	26K101-102	5, 6
4	1	NO PREFERRED SUPPLIERS	COAXIAL CABLE 50 OHM	RG 174 A/U	5, 6
5	1/2/4	JST	16 CIRCUIT CONNECTOR CRIMP TERMINAL, 30 AWG CRIMP TERMINAL, 22 AWG	PHDR-16VS SPHD-0031-P0.5 SPHD-0011-P0.5	3, 5, 6
6	1	HELLERMANN	CABLE SUPPORT SLEEVE PVC BLACK	634-01210 (H121)	5, 6
7	1	GRIS	CONTACT	C24158-A37 -C4-1	5, 6
8	1	SAHLBERG	CLAMP	9-11	5, 6
9	1	MOLEX	16 CORE CABLE SEE CABLE SPECIFICATION		5

**NOTES:-**

- MATES WITH SERIES 90811 HANDSET CONNECTOR.
- SEE PRODUCT SPECIFICATION No. PS-99020-0033
- POWER CONTACTS TO BE ON CIRCUITS 1, 2, 15, 16
- CABLE CONDUCTORS & RF COVERED WITH HEAT SHRINK INSULATION TUBING.
- ONLY AVAILABLE FROM MOLEX AS PART OF A CABLE ASSEMBLY.
- SUPPLIER OR CUSTOMER APPROVED EQUIVALENT.
- SEE GROMMET SPECIFICATION ES-99038-0001.
- PACKAGING: SEE PACKING SPECIFICATION ES-99039-0002 (OPTION 1, 3), AND LABELLED AS SHOWN. YEAR AND MONTH, "XX", TO BE PRINTED ACCORDING TO IEC 62 INDEX 5.1.
- SEE TERMINATION SPECIFICATION ES-99033-0003 ASSEMBLY.

V24851-21303-A131-1  
W0481  
XX MXI  
MOLEX 90813-1013

FOR PREVIOUS DRAWING ISSUES SEE MRL.

REVISIONS

DATE: 19/02/95

BY: MC

DESCRIPTION: SYSTEM CONNECTOR PLUG CABLE ASSEMBLY

SCALE: 2:1

MOLEX EUROPE

90813-1013

SDA-90813-1013