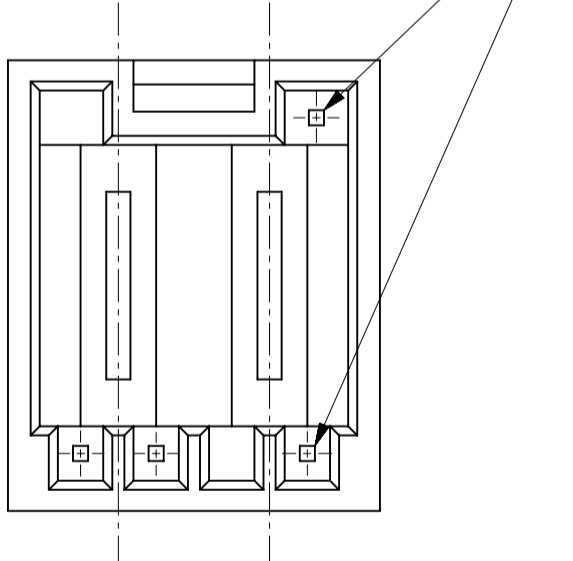


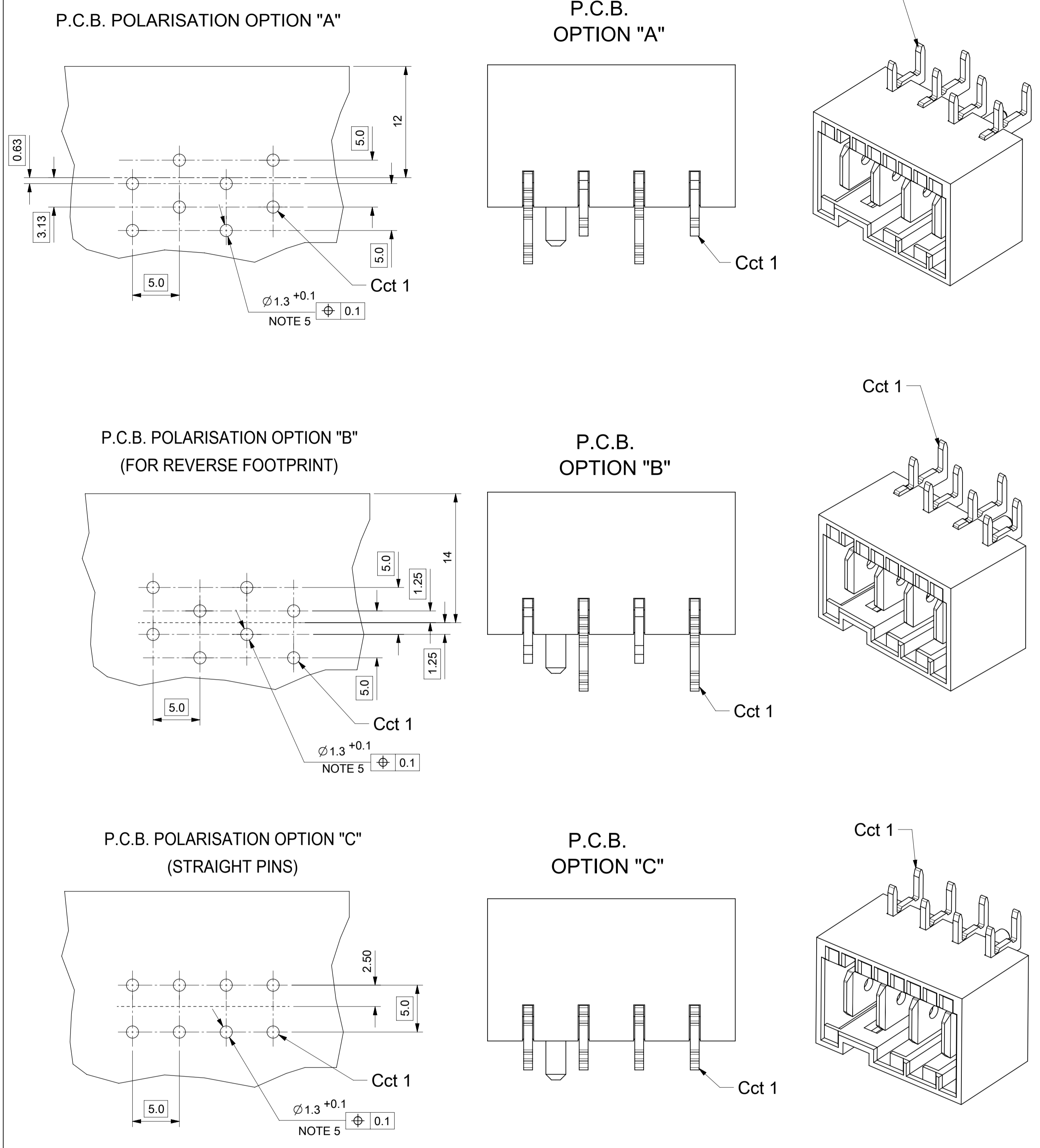
HOLES ON SOME TOOLED VERSIONS



- NOTES:
- MATERIAL:
HOUSING: PA 66 , UL94 V-0 750°C GWT NO FLAME
TERMINAL: BRASS 0.80REF. THICK
PLATING: OPTIONAL (SEE CHARTS SHEETS 3-11)
TIN PLATING OPTION : 3µm TIN OVER
1.27µm NICKEL ALL AREAS.
SELECTIVE SILVER
CONTACT AREA : 2µm SILVER OVER 1.27µm
NICKEL. ALL OTHER AREAS FLASH OF SILVER 0.10µm
 - PRODUCT CONFORMS TO SPECIFICATION PS-99020-0037/39
 - MATES WITH MOLEX 91338, 90833, 90835, 91777, 91778, 91954, 92000 & 91779
 - PARTS PACKED IN TRAYS OPTION C SEE PK-90858-001 FOR PACKAGING INFORMATION
 - PLATED THRU HOLE
 - RECOMMENDED PCB THICKNESS: 1.5 mm REF

| CCT | DIM A | DIM B | DIM C | TOL |
|-----|-------|-------|-------|---------|
| 2 | 5.00 | 10.20 | 12.30 | +/-0.30 |
| 3 | 10.00 | 15.20 | 17.30 | |
| 4 | 15.00 | 20.20 | 22.30 | |
| 5 | 20.00 | 25.20 | 27.30 | |
| 6 | 25.00 | 30.20 | 32.30 | |
| 7 | 30.00 | 35.20 | 37.30 | |
| 8 | 35.00 | 40.20 | 42.30 | |
| 9 | 40.00 | 45.20 | 47.30 | |
| 10 | 45.00 | 50.20 | 52.30 | |
| 11 | 50.00 | 55.20 | 57.30 | |
| 12 | 55.00 | 60.20 | 62.30 | |

RECOMMENDED PCB LAYOUT



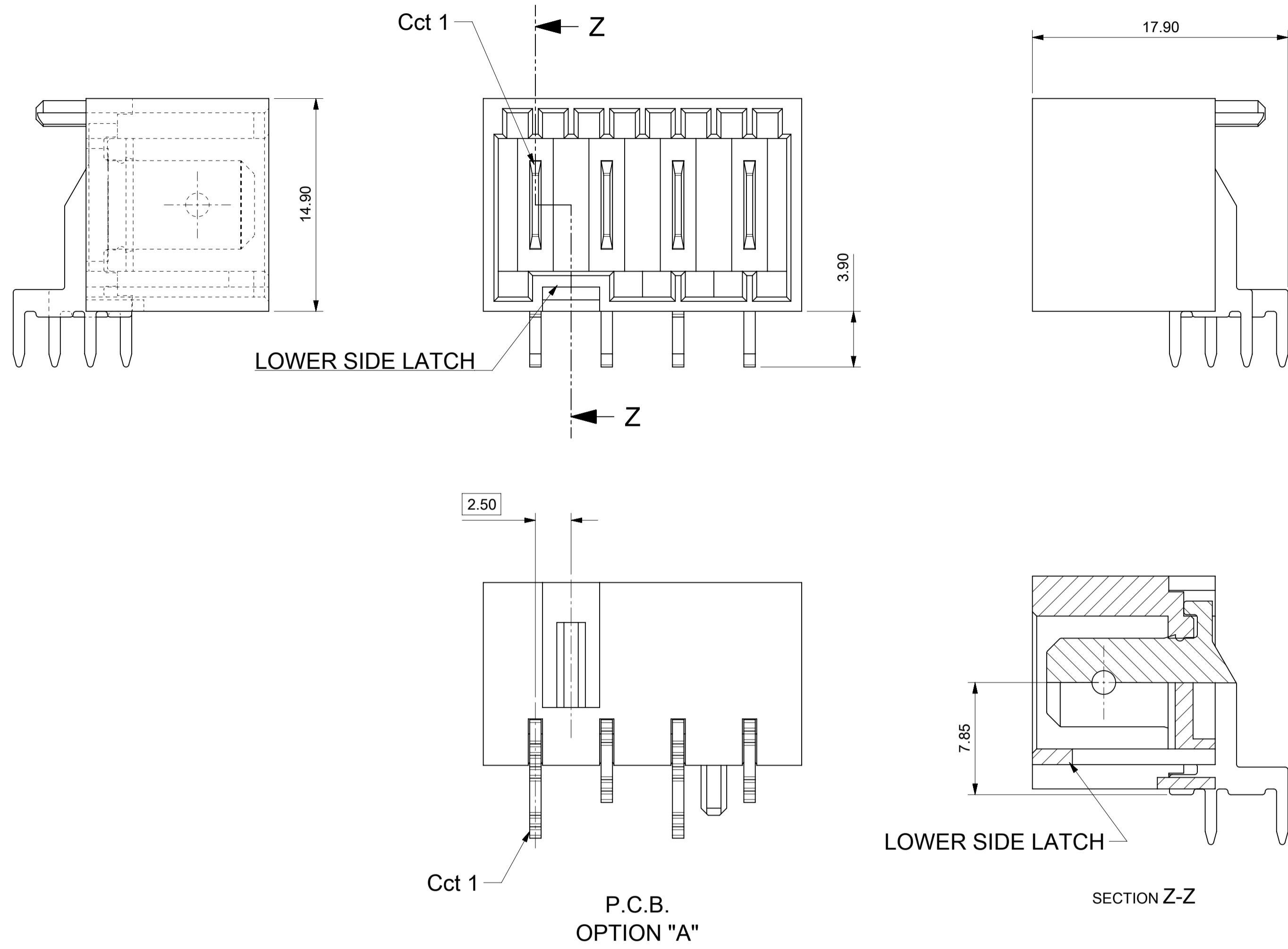
| | | | |
|---|---|---|--|
| FUNCTIONAL SYMBOLS $F_A = 0$ $F_C = 0$ $F_P = 0$ | THIS DRAWING CONTAINS INFORMATION THAT IS PROPRIETARY TO MOLEX ELECTRONIC TECHNOLOGIES, LLC AND SHOULD NOT BE USED WITHOUT WRITTEN PERMISSION | DIMENSION UNITS: mm SCALE: 4:1 | CURRENT REV DESC: |
| | DIVISIONAL SYMBOLS | GENERAL TOLERANCES (UNLESS SPECIFIED) ANGULAR TOL ± 2.0° | EC NO: 749359 DRWN: RAHULH3 CHK'D: RAHULH3 APPR: MRAMAKRISHNA |
| 4 PLACES ± 3 PLACES ± 2 PLACES ± 0.1 1 PLACE ± 0.2 0 PLACES ± | DRAFT WHERE APPLICABLE MUST REMAIN WITHIN DIMENSIONS | THIRD ANGLE PROJECTION | INITIAL REVISION: DRWN: AKABADI APPR: BRUTTLE |
| DOCUMENT NUMBER: 930030001 | DOC TYPE: PSD DOC PART: 000 REVISION: B1 | DRAWING: A1-SIZE SERIES: 93003 | MATERIAL NUMBER: SEE SHEET 3-11 CUSTOMER: GENERAL MARKET SHEET NUMBER: 1 OF 11 |



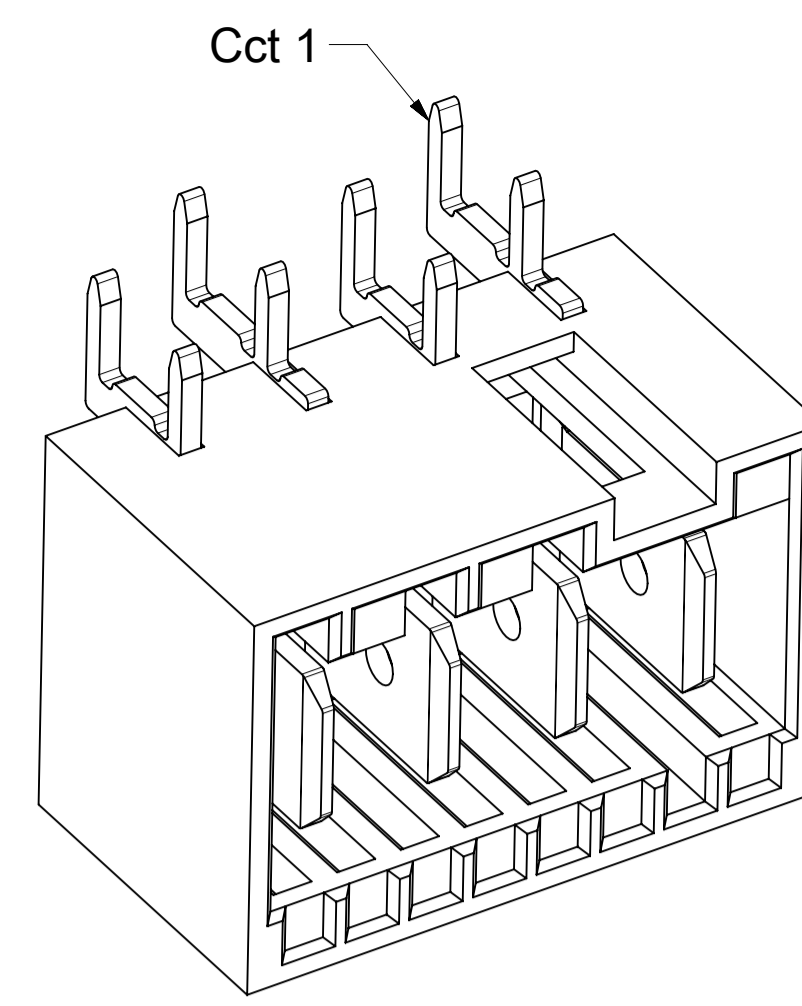
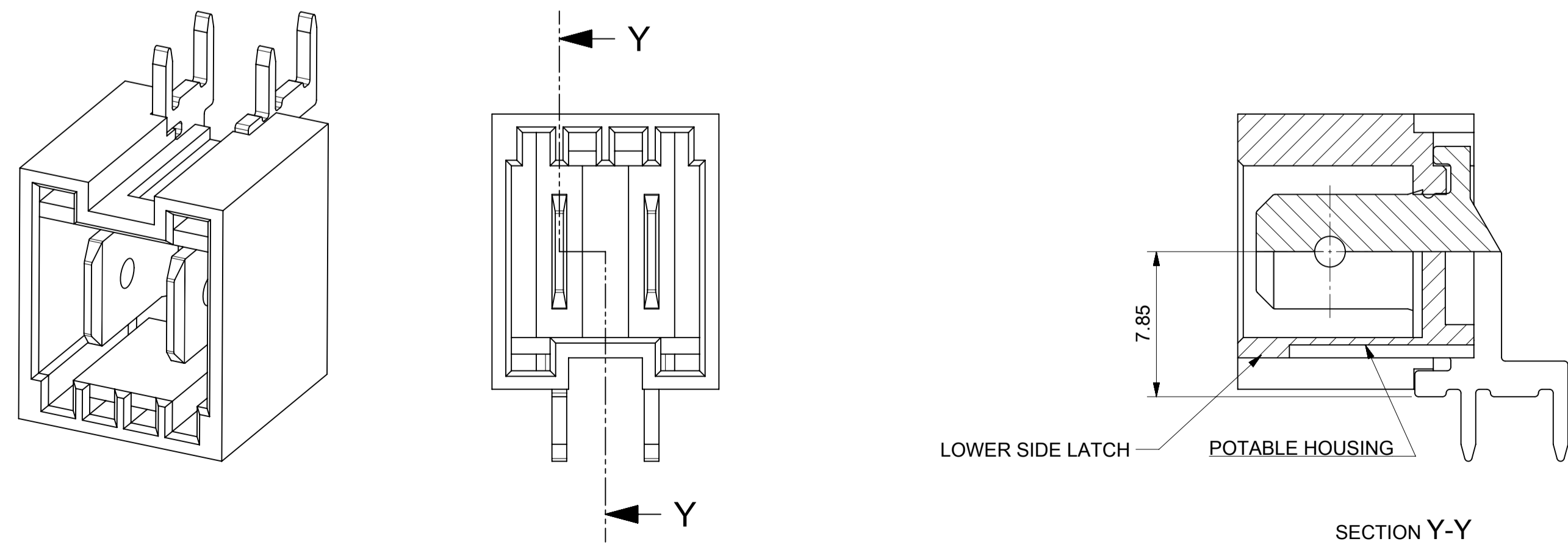
RAST 5 R.A. HDR PA 66 HOUSING

PRODUCT CUSTOMER DRAWING

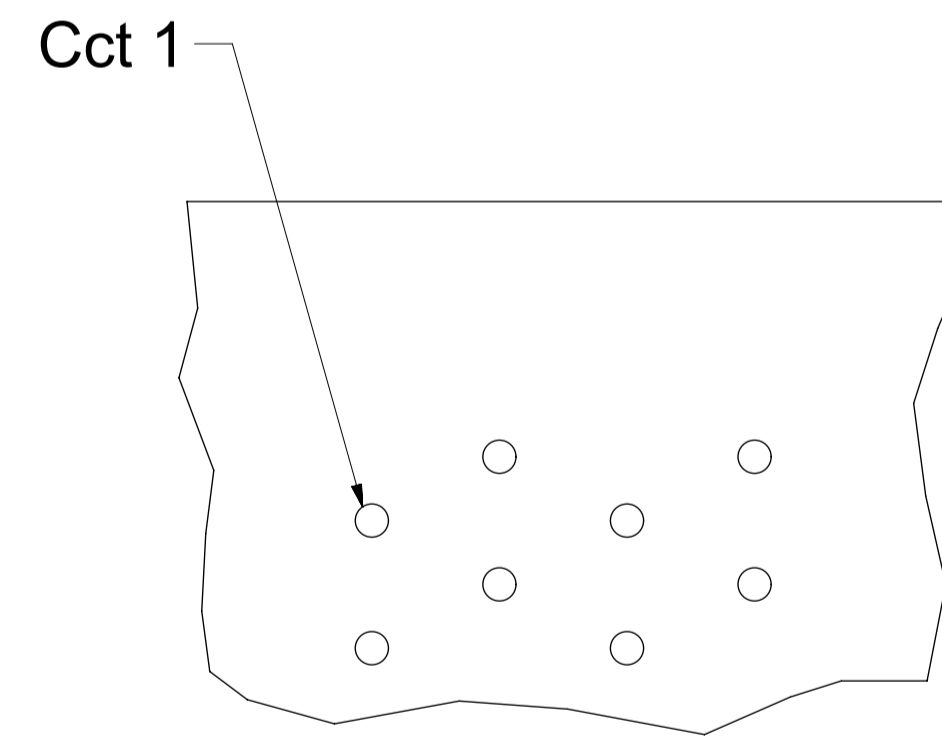
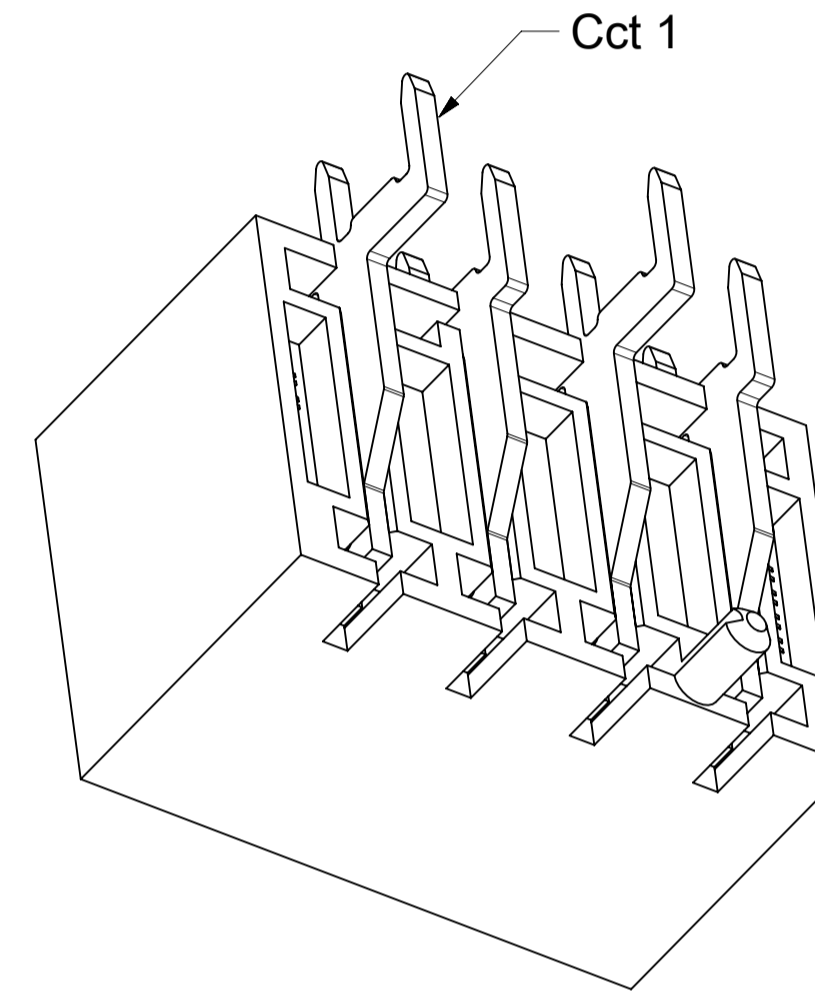
NON-POTABLE HEADER, LOWER SIDE LATCH OPTION



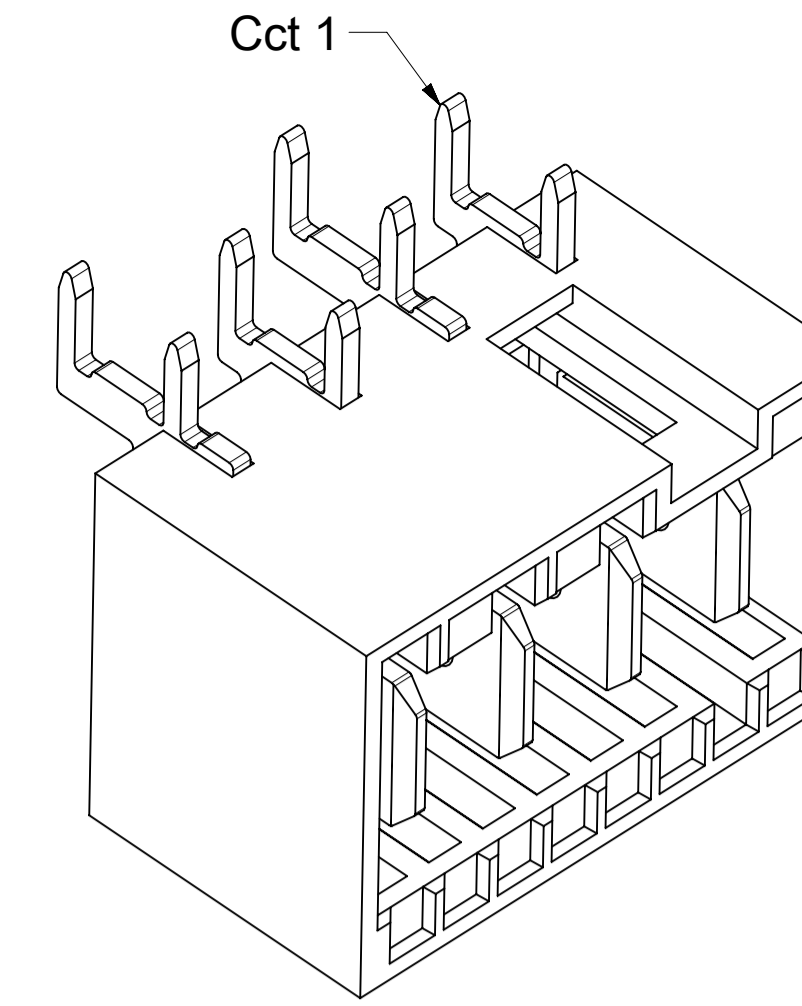
POTABLE HEADER OPTION WITH LOWER SIDE LATCH
 P/N 93003-0070 - 2CCT ONLY
 CONTACT ENGINEERING FOR LARGER CIRCUIT SIZES



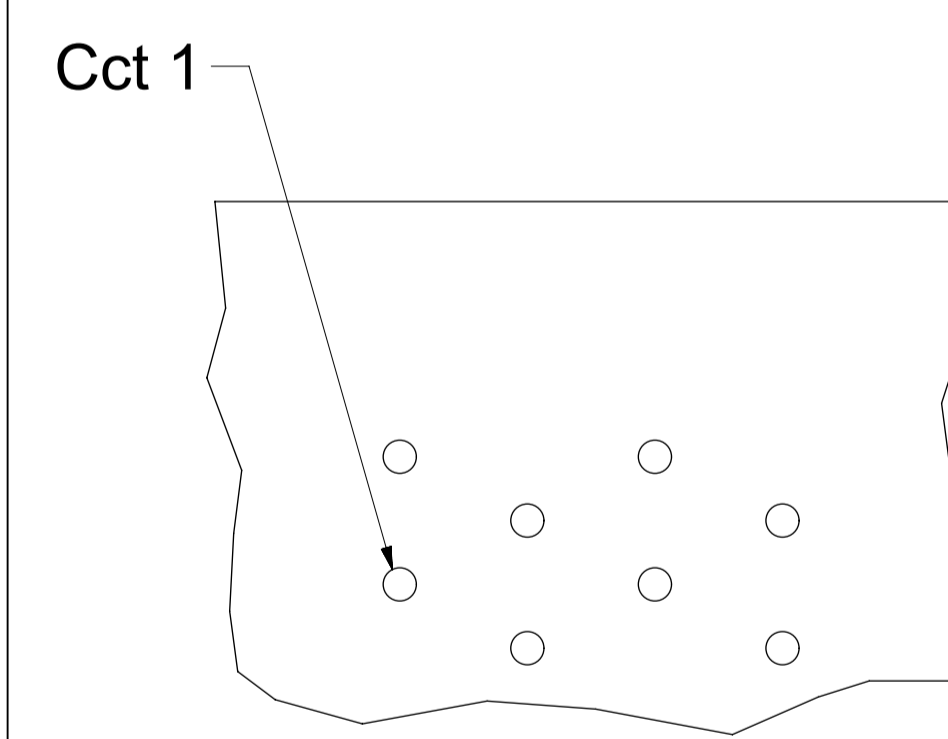
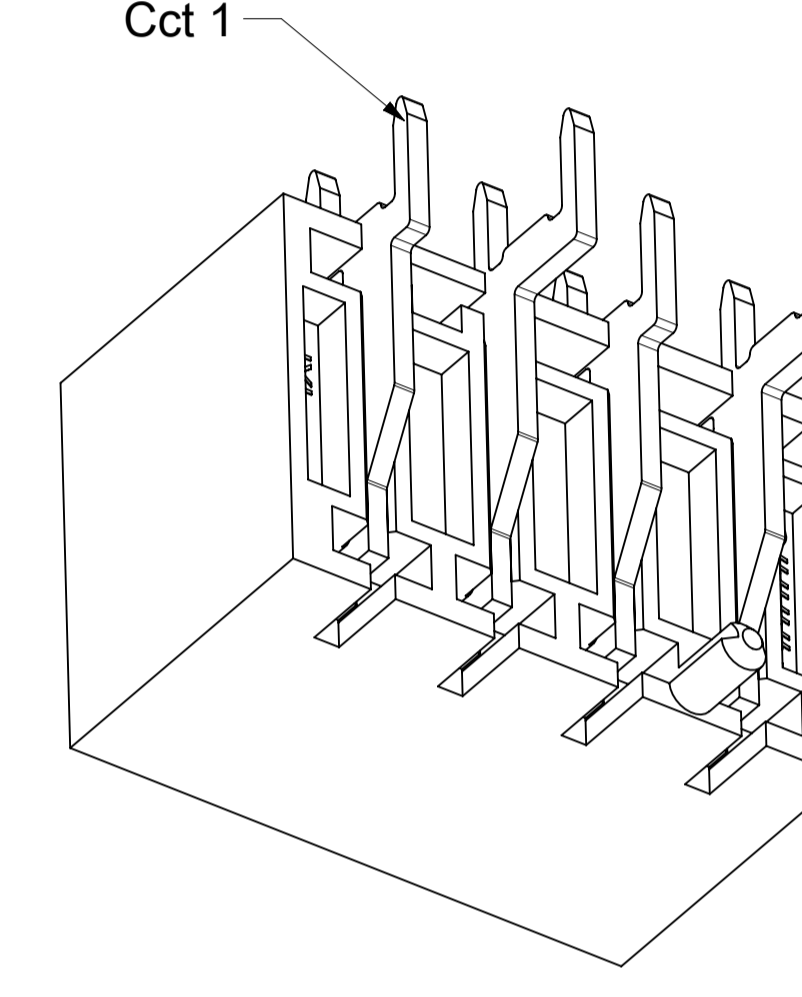
P.C.B. OPTION "A"



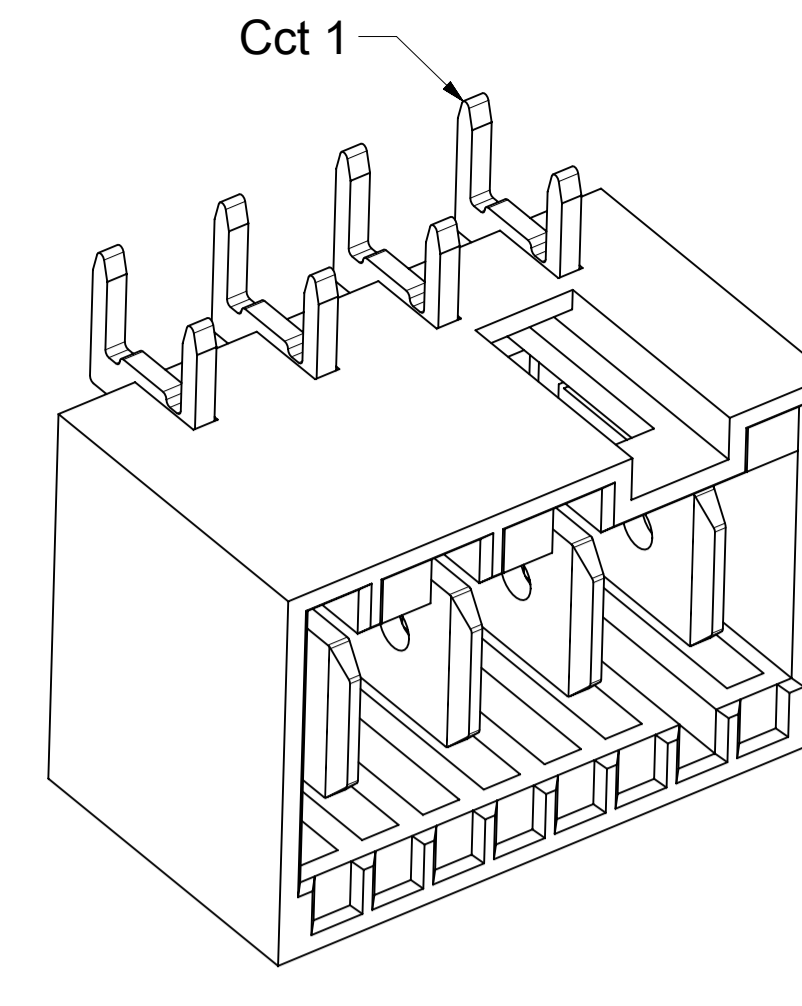
P.C.B. POLARISATION OPTION "A"
 PCB VIEW IS FROM SOLDER SIDE



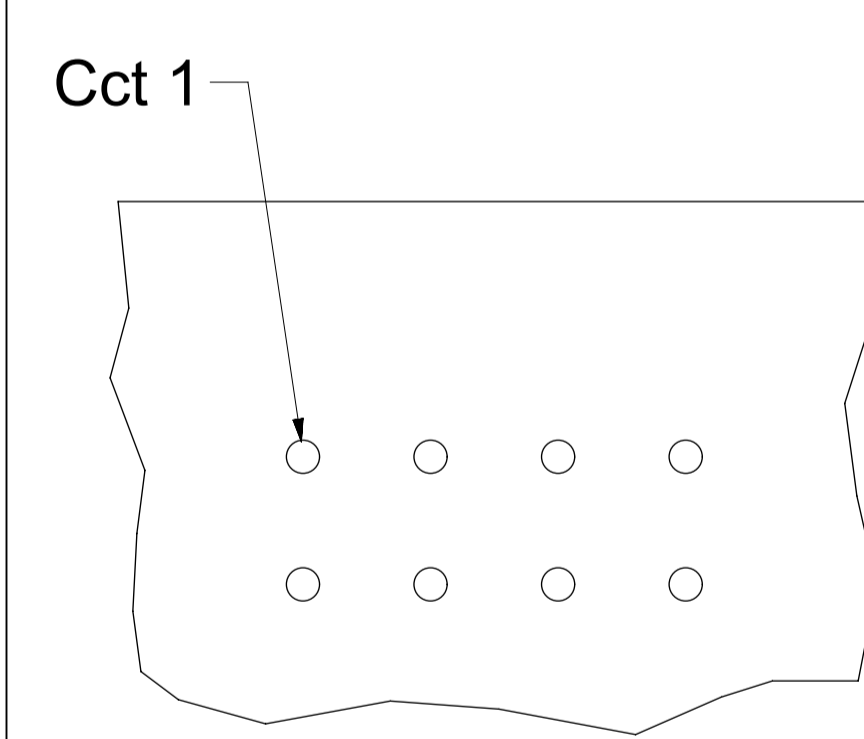
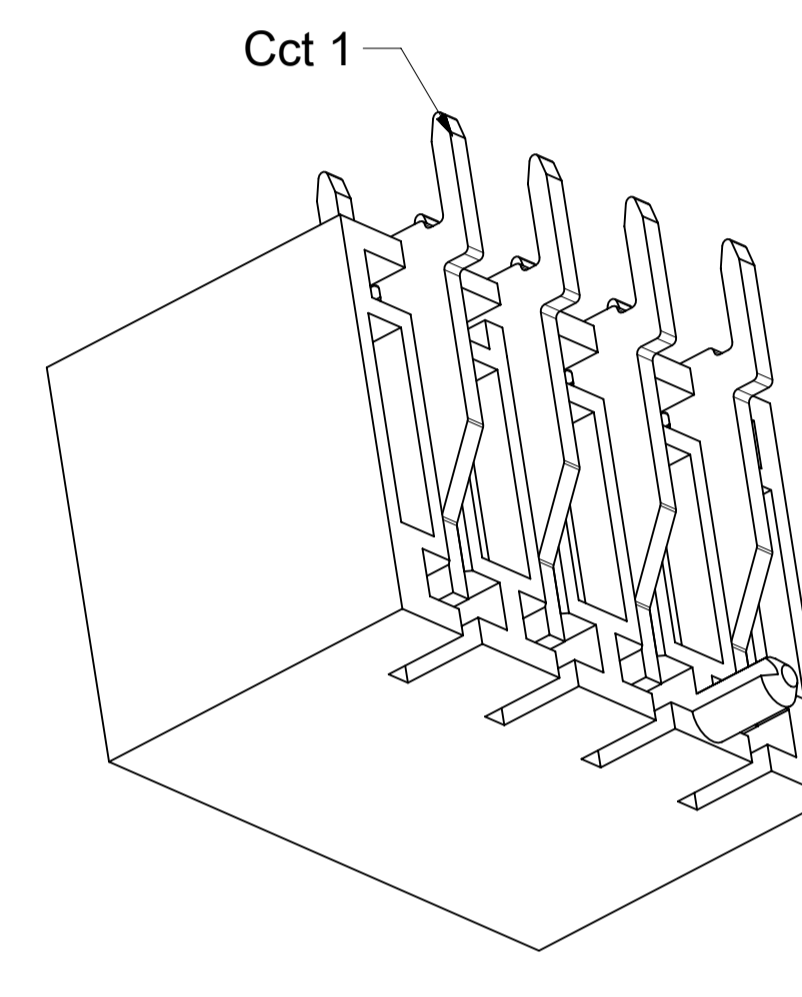
P.C.B. OPTION "B"



P.C.B. POLARISATION OPTION "B"
 PCB VIEW IS FROM SOLDER SIDE



P.C.B. OPTION "C"



P.C.B. POLARISATION OPTION "C"
 PCB VIEW IS FROM SOLDER SIDE

| | | | | |
|--|---|------------------------|--------------------|---------------------|
| FUNCTIONAL SYMBOLS | THIS DRAWING CONTAINS INFORMATION THAT IS PROPRIETARY TO MOLEX ELECTRONIC TECHNOLOGIES, LLC AND SHOULD NOT BE USED WITHOUT WRITTEN PERMISSION | | CURRENT REV DESC: | |
| | DIMENSION UNITS | SCALE | | |
| $\frac{E}{A} = 0$ | mm | 4:1 | | |
| $\frac{E}{C} = 0$ | GENERAL TOLERANCES (UNLESS SPECIFIED) | | | |
| $\frac{E}{D} = 0$ | ANGULAR TOL $\pm 2.0^\circ$ | | | |
| DIVISIONAL SYMBOLS | 4 PLACES | \pm | EC NO: 749359 | 2023/05/12 |
| | 3 PLACES | \pm | DRWN: RAHULH3 | 2023/05/12 |
| | 2 PLACES | ± 0.1 | CHK'D: RAHULH3 | 2023/05/12 |
| | 1 PLACE | ± 0.2 | APPR: MRAMAKRISHNA | 2023/05/12 |
| 0 PLACES | \pm | INITIAL REVISION: | | |
| DRAFT WHERE APPLICABLE MUST REMAIN WITHIN DIMENSIONS | | THIRD ANGLE PROJECTION | DRWN: AKABADI | 2017/09/08 |
| | | DRAWING | APPR: BRUTTLE | 2017/11/10 |
| | | THIRD ANGLE PROJECTION | SERIES | |
| | | A1-SIZE | 93003 | |
| DOCUMENT STATUS | | P1 | RELEASE DATE | 2023/05/12 09:50:23 |
| DOCUMENT NUMBER | | DOC TYPE | | DOC PART |
| 930030001 | | PSD | | 000 B1 |
| MATERIAL NUMBER | | CUSTOMER | | SHEET NUMBER |
| SEE SHEET 3-11 | | GENERAL MARKET | | 2 OF 11 |

molex

RAST 5 R.A. HDR PA 66 HOUSING

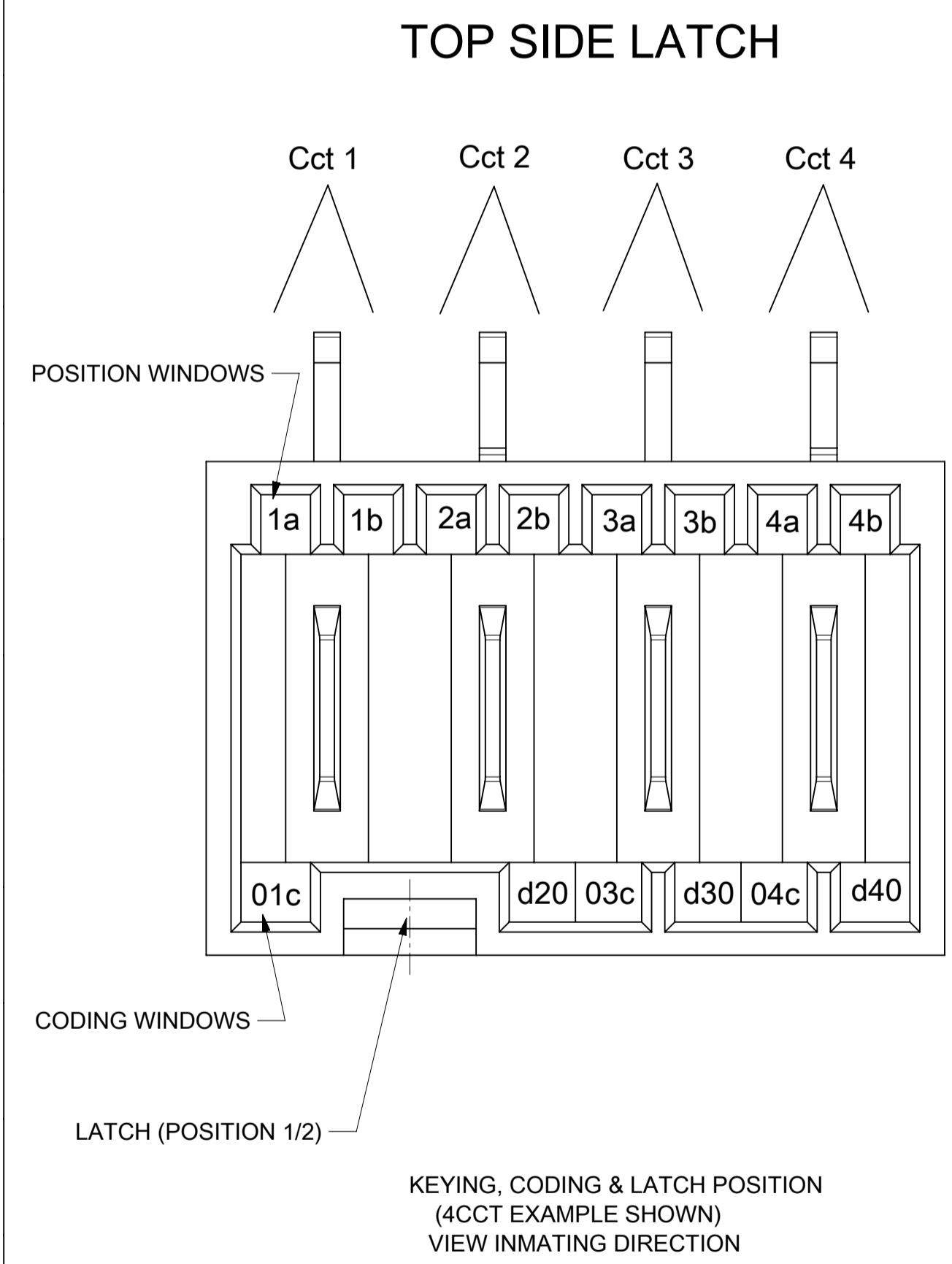
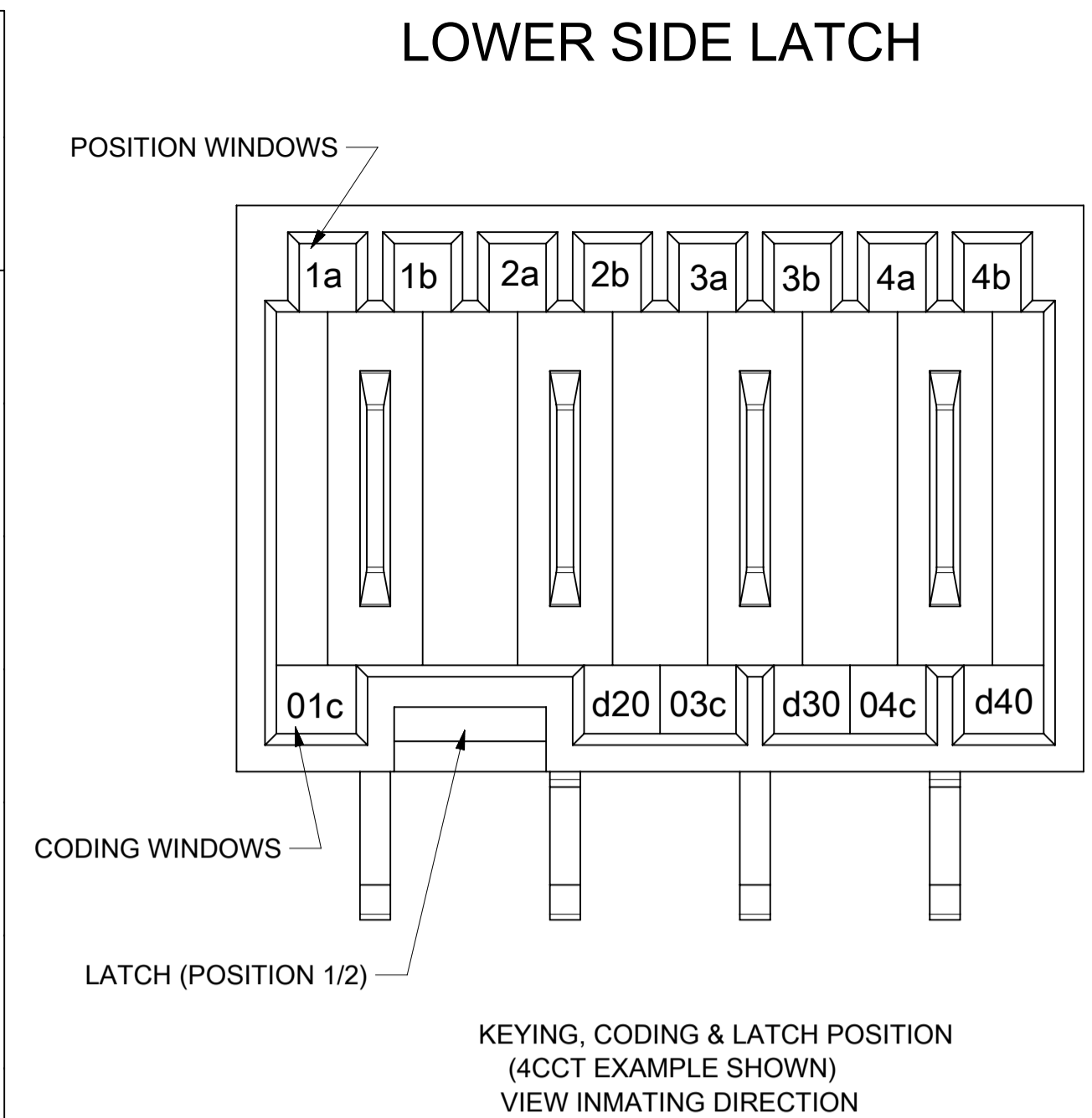
PRODUCT CUSTOMER DRAWING

DOCUMENT NUMBER: 930030001
 DOC TYPE: PSD
 DOC PART: 000
 REVISION: B1

2 CIRCUIT

SEE CODE DESIGNATION TABLE FOR NUMBERING
FORMAT WHEN ADDING NEW PART NUMBERS

| PART NO. (TIN) | TERM NO. (TIN) | MOLEX HOUSING NO. | TERMINAL VOID POSITION | UNBLOCKED POSITION KEYS | UNBLOCKED CODING KEYS | LATCH POSITION | CONFIGURATION (SEE NOTES) | LUMBERG K REF | TERM NO. (SILVER) | PART NO. (SILVER) | P.C.B. POLARISATION OPTION | TOP SIDE LATCH | POTABLE HOUSING |
|-------------------|-------------------|----------------------|---------------------------|----------------------------|--------------------------|-------------------|------------------------------|------------------|----------------------|----------------------|----------------------------------|-------------------|--------------------|
| 93003-0003 | 91703-0005/8 | 93002-0002 | NONE | 1b 2a | 01c d20 | 1/2 | | K01 | 91703-0006/9 | 93003-0499 | A | YES | |
| 93003-0046 | 91703-0005/8 | 93002-0003 | NONE | 1a 2b | 01c | 1/2 | | K02 | 91703-0006/9 | 93003-0498 | A | YES | |
| 93003-0026 | 91703-0005/8 | 93002-0004 | NONE | 1b 2b | 01c | 1/2 | | K09 | 91703-0006/9 | 93003-0488 | A | YES | |
| 93003-0018 | 91703-0005/8 | 93002-0005 | NONE | 2a | 01c d20 | 1/2 | | K03 | 91703-0006/9 | 93003-0495 | A | YES | |
| 93003-0021 | 91703-0005/8 | 93002-0006 | NONE | 1b | 01c d20 | 1/2 | | K16 | 91703-0006/9 | 93003-0492 | A | YES | |
| 93003-0022 | 91703-0005/8 | 93002-0007 | NONE | 1a 2b | NONE | 1/2 | | K06 | 91703-0006/9 | 93003-0491 | A | YES | |
| 93003-0019 | 91703-0005/8 | 93002-0008 | NONE | 1a 2b | d20 | 1/2 | | K05 | 91703-0006/9 | 93003-0478 | A | YES | |
| 93003-0058 | 91703-0005/8 | 93002-0009 | NONE | 2b | NONE | 1/2 | | K11 | 91703-0006/9 | 93003-0476 | A | YES | |
| 93003-0029 | 91703-0005/8 | 93002-0010 | NONE | 1a 1b | d20 | 1/2 | | K13 | 91703-0006/9 | 93003-0486 | A | YES | |
| 93003-0030 | 91703-0005/8 | 93002-0011 | NONE | 2a 2b | NONE | 1/2 | | K31 | 91703-0006/9 | 93003-0485 | A | YES | |
| 93003-0059 | 91703-0005/8 | 93002-0012 | NONE | 2b | d20 | 1/2 | | K38 | 91703-0006/9 | 93003-0475 | A | YES | |
| 93003-0060 | 91703-0005/8 | 93002-0013 | NONE | 1a 2a | 01c d20 | 1/2 | | K44 | 91703-0006/9 | 93003-0474 | A | YES | |
| 93003-0061 | 91703-0005/8 | 93002-0014 | NONE | 1a 1b | NONE | 1/2 | | K40 | 91703-0006/9 | 93003-0473 | A | YES | |
| 93003-0020 | 91703-0005/8 | 93002-0015 | NONE | 1a 1b | 01c | 1/2 | | K04 | 91703-0006/9 | 93003-0493 | A | YES | |
| 93003-0062 | 91703-0005/8 | 93002-0016 | NONE | 2b | 01c d20 | 1/2 | | K15 | 91703-0006/9 | 93003-0472 | A | YES | |
| 93003-0057 | 91703-0005/8 | 93002-0017 | NONE | 1a | 01c d20 | 1/2 | | K12 | 91703-0006/9 | 93003-0477 | A | YES | |
| 93003-0009 | 91703-0005/8 | 93002-0018 | NONE | 1a 2a | 01c | 1/2 | | K10 | 91703-0006/9 | 93003-0496 | A | YES | |
| 93003-0049 | 91703-0005/8 | 93002-0019 | NONE | ALL | d20 | 1/2 | | K34 | 91703-0006/9 | 93003-0481 | A | YES | |
| 93003-0056 | 91703-0005/8 | 93002-0020 | NONE | 1b 2a 2b | d20 | 1/2 | | K07 | 91703-0006/9 | 93003-0479 | A | YES | |
| 93003-0063 | 91703-0005/8 | 93002-0002 | NONE | 1b 2a | 01c d20 | 1/2 | | K01 | 91703-0006/9 | 93003-0471 | B | YES | |



NO

| | | | | | | |
|---|---|---|-------------------------|--|---|--|
| FUNCTIONAL SYMBOLS = 0 = 0 = 0 DIVISIONAL SYMBOLS | THIS DRAWING CONTAINS INFORMATION THAT IS PROPRIETARY TO MOLEX ELECTRONIC TECHNOLOGIES, LLC AND SHOULD NOT BE USED WITHOUT WRITTEN PERMISSION | | CURRENT REV DESC: | | RAST 5 R.A. HDR PA 66 HOUSING PRODUCT CUSTOMER DRAWING | |
| | DIMENSION UNITS: mm SCALE: 1:1 | GENERAL TOLERANCES (UNLESS SPECIFIED) ANGULAR TOL ± 2.0° | | EC NO: 749359 DRWN: RAHULH3 CHK'D: RAHULH3 APPR: MRAMAKRISHNA | | 2023/05/12 2023/05/12 2023/05/12 |
| | 4 PLACES ± 3 PLACES ± 2 PLACES ± 0.1 1 PLACE ± 0.2 0 PLACES ± | DRAFT WHERE APPLICABLE MUST REMAIN WITHIN DIMENSIONS | | INITIAL REVISION: DRWN: AKABADI APPR: BRUTTLE | | 2017/09/08 2017/11/10 |
| | THIRD ANGLE PROJECTION | | DRAWING: A1-SIZE | SERIES: 93003 | | DOCUMENT NUMBER: 930030001 DOC TYPE: PSD DOC PART: 000 REVISION: B1 |
| MATERIAL NUMBER: SEE SHEET 3-11 | | CUSTOMER: GENERAL MARKET | | SHEET NUMBER: 3 OF 11 | | |

2 CIRCUIT

SEE CODE DESIGNATION TABLE FOR NUMBERING
FORMAT WHEN ADDING NEW PART NUMBERS

| PART NO. (TIN) | TERM NO. (TIN) | MOLEX HOUSING NO. | TERMINAL VOID POSITION | UNBLOCKED POSITION KEYS | UNBLOCKED CODING KEYS | LATCH POSITION | CONFIGURATION (SEE NOTES) | LUMBERG K REF | TERM NO. (SILVER) | PART NO. (SILVER) | P.C.B. POLARISATION OPTION | TOP SIDE LATCH | POTABLE HOUSING |
|-------------------|-------------------|----------------------|---------------------------|----------------------------|--------------------------|-------------------|------------------------------|------------------|----------------------|----------------------|----------------------------------|-------------------|--------------------|
| 93003-0064 | 91703-0005/8 | 93002-0024 | NONE | ALL | ALL | 1/2 | | K00 | 91703-0006/9 | 93003-0470 | A | YES | NO |
| 93003-0065 | 91703-0005/8 | 93002-0003 | NONE | 1a 2b | 01c | 1/2 | | K02 | 91703-0006/9 | 93003-0469 | A | NO | |
| 93003-0066 | 91703-0005/8 | 93002-0003 | NONE | 1a 2b | 01c | 1/2 | | K02 | 91703-0006/9 | 93003-0468 | B | NO | |
| 93003-0067 | 91703-0005/8 | 93002-0035 | NONE | 1b 2a 2b | 01c d20 | 1/2 | | K78 | 91703-0006/9 | 93003-0467 | A | YES | |
| 93003-0068 | 91703-0005/8 | 93002-0002 | NONE | 1b 2a | 01c d20 | 1/2 | | K01 | 91703-0006/9 | 93003-0466 | A | NO | |
| 93003-0069 | 91703-0005/8 | 93002-0005 | NONE | 2a | 01c d20 | 1/2 | | K03 | 91703-0006/9 | 93003-0465 | A | NO | |
| 93003-0070 | 91703-0005/8 | 93228-0008 | NONE | 1a 2b | NONE | 1/2 | | --- | 91703-0006/9 | 93003-0464 | A | NO | YES |
| 93003-0071 | 91703-0005 | 93002-0028 | NONE | 1a 2a 2b | 01c d20 | 1/2 | | --- | 91703-0006 | 93003-0463 | C | YES | NO |
| 93003-0072 | 91703-0005/8 | 93002-0026 | NONE | 2a 2b | 01c | 1/2 | | --- | 91703-0006/9 | 93003-0462 | A | YES | NO |

(B)

| | | | | | | | | | | |
|--|---|------------------------|---|--------|-------------------------------------|----------------|--------------|------------|----------|----------|
| FUNCTIONAL SYMBOLS | THIS DRAWING CONTAINS INFORMATION THAT IS PROPRIETARY TO MOLEX ELECTRONIC TECHNOLOGIES, LLC AND SHOULD NOT BE USED WITHOUT WRITTEN PERMISSION | | CURRENT REV DESC: | | | | | | | |
| | DIMENSION UNITS | SCALE | | | | | | | | |
| | mm | 1:1 | EC NO: 749359 DRWN: RAHULH3 2023/05/12 CHK'D: RAHULH3 2023/05/12 APPR: MRAMAKRISHNA 2023/05/12 | | RAST 5 R.A. HDR PA 66 HOUSING | | | | | |
| | GENERAL TOLERANCES (UNLESS SPECIFIED) | | | | | | | | | |
| | ANGULAR TOL ± 2.0° | | | | PRODUCT CUSTOMER DRAWING | | | | | |
| DIVISIONAL SYMBOLS | 4 PLACES ± | | | | | | | | | |
| | 3 PLACES ± | | INITIAL REVISION: DRWN: AKABADI 2017/09/08 APPR: BRUTTLE 2017/11/10 | | DOCUMENT NUMBER 930030001 | | | DOC TYPE | DOC PART | REVISION |
| | 2 PLACES ± 0.1 | | | | | | | PSD | 000 | B1 |
| | 1 PLACE ± 0.2 | | | | | | | 0 PLACES ± | | |
| DRAFT WHERE APPLICABLE MUST REMAIN WITHIN DIMENSIONS | | THIRD ANGLE PROJECTION | DRAWING | SERIES | MATERIAL NUMBER | CUSTOMER | SHEET NUMBER | | | |
| | | | A1-SIZE | 93003 | SEE SHEET 3-11 | GENERAL MARKET | 4 OF 11 | | | |

3 CIRCUIT

SEE CODE DESIGNATION TABLE FOR NUMBERING
FORMAT WHEN ADDING NEW PART NUMBERS

| PART NO. (TIN) | TERM NO. (TIN) | MOLEX HOUSING NO. | TERMINAL VOID POSITION | UNBLOCKED POSITION KEYS | UNBLOCKED CODING KEYS | LATCH POSITION | CONFIGURATION (SEE NOTES) | LUMBERG K REF | TERM NO. (SILVER) | PART NO. (SILVER) | P.C.B. POLARISATION OPTION | TOP SIDE LATCH |
|-------------------|-------------------|----------------------|---------------------------|----------------------------|--------------------------|-------------------|------------------------------|------------------|----------------------|----------------------|----------------------------------|-------------------|
| 93003-0502 | 91703-0005/8 | 93002-1000 | NONE | 1b | 01c d20 | 1/2 | | K01 | 91703-0006/9 | 93003-1249 | A | YES |
| 93003-0508 | 91703-0005/8 | 93002-1001 | NONE | 1a | 03c | 1/2 | | K04 | 91703-0006/9 | 93003-1248 | A | YES |
| 93003-0528 | 91703-0005/8 | 93002-1002 | NONE | 1a 1b | d30 | 1/2 | | K05 | 91703-0006/9 | 93003-1247 | A | YES |
| 93003-0512 | 91703-0005/8 | 93002-1003 | NONE | 1a 3b | 01c | 1/2 | | K06 | 91703-0006/9 | 93003-1246 | A | YES |
| 93003-0513 | 91703-0005/8 | 93002-1004 | NONE | 1b | d20 03c | 1/2 | | K09 | 91703-0006/9 | 93003-1245 | A | YES |
| 93003-0529 | 91703-0005/8 | 93002-1005 | NONE | 1b 2a 2b | d30 | 1/2 | | K33 | 91703-0006/9 | 93003-1244 | A | YES |
| 93003-0530 | 91703-0005/8 | 93002-1006 | NONE | 2b | d20 | 1/2 | | K08 | 91703-0006/9 | 93003-1243 | A | YES |
| 93003-0526 | 91703-0005/8 | 93002-1007 | NONE | ALL | d10 d30 | 2/3 | | K38 | 91703-0006/9 | 93003-1242 | A | YES |
| 93003-0527 | 91703-0005/8 | 93002-1008 | NONE | ALL | d20 | 1/2 | | K40 | 91703-0006/9 | 93003-1241 | A | YES |
| 93003-0531 | 91703-0005/8 | 93002-1014 | NONE | ALL | ALL | 1/2 | | K00 | 91703-0006/9 | 93003-1240 | A | YES |
| 93003-0532 | 91703-0005/8 | 93002-1020 | NONE | 3b | 01c d30 | 1/2 | | K37 | 91703-0006/9 | 93003-1239 | A | YES |
| 93003-0533 | 91703-0005/8 | 93002-1021 | NONE | 1b 3a | 01c | 1/2 | | K03 | 91703-0006/9 | 93003-1238 | A | NO |
| 93003-0534 | 91703-0005/8 | 93002-1000 | CCT 2 | 1b | 01c d20 | 1/2 | | K-- | 91703-0006/9 | 93003-1237 | A | YES |
| 93003-0535 | 91703-0005/8 | 93002-1024 | CCT 2 | 3b | 01c 03c | 1/2 | | K-- | 91703-0006/9 | 93003-1236 | A | YES |
| 93003-0536 | 91703-0005 | 93002-1011 | CCT 2 | 3b | 01c d30 | 2/3 | | K-- | 91703-0006 | 93003-1235 | C | YES |
| 93003-0537 | 91703-0005 | 93002-1000 | NONE | 1b | 01c d20 | 1/2 | | K-- | 91703-0006 | 93003-1234 | C | YES |
| 93003-0538 | 91703-0005 | 93002-1036 | NONE | NONE | d10 02c d30 | 2/3 | | K-- | 91703-0006 | 93003-1233 | C | YES |
| 93003-0539 | 91703-0005/8 | 93002-1000 | NONE | 1b | 01c d20 | 1/2 | | K01 | 91703-0006/9 | 93003-1232 | A | NO |
| 93003-0540 | 91703-0005/8 | 93002-1039 | NONE | 1b 2a | d20 | 1/2 | | -- | 91703-0006/9 | 93003-1231 | A | NO |

ⓑ

| | | | | | |
|---|---|---|-------------------------|--|--|
| FUNCTIONAL SYMBOLS = 0 = 0 = 0 DIVISIONAL SYMBOLS | THIS DRAWING CONTAINS INFORMATION THAT IS PROPRIETARY TO MOLEX ELECTRONIC TECHNOLOGIES, LLC AND SHOULD NOT BE USED WITHOUT WRITTEN PERMISSION | | CURRENT REV DESC: | | RAST 5 R.A. HDR PA 66 HOUSING |
| | DIMENSION UNITS: mm SCALE: 1:1 | GENERAL TOLERANCES (UNLESS SPECIFIED) ANGULAR TOL ± 2.0° | | EC NO: 749359 DRWN: RAHULH3 CHK'D: RAHULH3 APPR: MRAMAKRISHNA | |
| DRAFT WHERE APPLICABLE MUST REMAIN WITHIN DIMENSIONS | | THIRD ANGLE PROJECTION | DRAWING: A1-SIZE | SERIES: 93003 | DOCUMENT NUMBER: 930030001 DOC TYPE: PSD DOC PART: 000 REVISION: B1 |
| MATERIAL NUMBER: 93003 | | CUSTOMER: GENERAL MARKET | | SHEET NUMBER: 5 OF 11 | |

4 CIRCUIT

SEE CODE DESIGNATION TABLE FOR NUMBERING
FORMAT WHEN ADDING NEW PART NUMBERS

| PART NO. (TIN) | TERM NO. (TIN) | MOLEX HOUSING NO. | TERMINAL VOID POSITION | UNBLOCKED POSITION KEYS | UNBLOCKED CODING KEYS | LATCH POSITION | CONFIGURATION (SEE NOTES) | LUMBERG K REF | TERM NO. (SILVER) | PART NO. (SILVER) | P.C.B. POLARISATION OPTION | TOP SIDE LATCH |
|-------------------|-------------------|----------------------|---------------------------|----------------------------|--------------------------|-------------------|------------------------------|------------------|----------------------|----------------------|----------------------------------|-------------------|
| 93003-1254 | 91703-0005/8 | 93002-2000 | NONE | 1b | 03c d40 | 1/2 3/4 | | K01 | 91703-0006/9 | 93003-1999 | A | YES |
| 93003-1264 | 91703-0005/8 | 93002-2001 | NONE | 1a 4b | d40 | 1/2 3/4 | | K03 | 91703-0006/9 | 93003-1997 | A | YES |
| 93003-1265 | 91703-0005/8 | 93002-2002 | NONE | 2a 4b | d20 | 1/2 3/4 | | K07 | 91703-0006/9 | 93003-1996 | A | YES |
| 93003-1267 | 91703-0005/8 | 93002-2003 | NONE | 1b 2a 3a 4b | 01c d40 | 1/2 3/4 | | K37 | 91703-0006/9 | 93003-1994 | A | YES |
| 93003-1278 | 91703-0005/8 | 93002-2004 | NONE | 1a 2b 4b | 01c 03c d40 | 1/2 3/4 | | K44 | 91703-0006/9 | 93003-1988 | A | YES |
| 93003-1279 | 91703-0005/8 | 93002-2005 | NONE | 1a 3a 3b | 01c d20 d40 | 1/2 3/4 | | K32 | 91703-0006/9 | 93003-1987 | A | YES |
| 93003-1280 | 91703-0005/8 | 93002-2006 | NONE | 1b 2a 4b | 01c d20 03c | 1/2 3/4 | | K61 | 91703-0006/9 | 93003-1986 | A | YES |
| 93003-1281 | 91703-0005/8 | 93002-2007 | NONE | 1a 3a | d40 | 1/2 3/4 | | K06 | 91703-0006/9 | 93003-1985 | A | YES |
| 93003-1282 | 91703-0005/8 | 93002-2008 | NONE | 1a 2b 3b 4a | 01c 03c d40 | 1/2 3/4 | | K65 | 91703-0006/9 | 93003-1984 | A | YES |
| 93003-1266 | 91703-0005/8 | 93002-2009 | NONE | 2a 4b | d20 03c | 1/2 3/4 | | K30 | 91703-0006/9 | 93003-1995 | A | YES |
| 93003-1276 | 91703-0005/8 | 93002-2010 | NONE | 3b | d30 | 2/3 | | K04 | 91703-0006/9 | 93003-1989 | A | YES |
| 93003-1283 | 91703-0005/8 | 93002-2018 | NONE | ALL | ALL | 1/2 3/4 | | K00 | 91703-0006/9 | 93003-1983 | A | YES |
| 93003-1284 | 91703-0005/8 | 93002-2022 | NONE | 1b | 03c | 1/2 3/4 | | N/A | 91703-0006/9 | 93003-1982 | A | YES |
| 93003-1285 | 91703-0005/8 | 93002-2024 | NONE | ALL | 03c d40 | 1/2 3/4 | | N/A | 91703-0006/9 | 93003-1981 | A | YES |
| 93003-1286 | 91703-0005/8 | 93002-2000 | NONE | 1b | 03c d40 | 1/2 3/4 | | K01 | 91703-0006/9 | 93003-1980 | B | YES |
| 93003-1287 | 91703-0005/8 | 93002-2025 | CCT 2 | 1a 3a 3b 4a 4b | 03c d40 | 1/2 3/4 | | K-- | 91703-0006/9 | 93003-1979 | A | YES |
| 93003-1288 | 91703-0005/8 | 93002-2000 | NONE | 1b | 03c d40 | 1/2 3/4 | | K01 | 91703-0006/9 | 93003-1978 | A | NO |
| 93003-1289 | 91703-0005/8 | 93002-2032 | NONE | 1a 2b 3b 4a | d20 03c d40 | 1/2 3/4 | | K86 | 91703-0006/9 | 93003-1977 | A | YES |

| | | | | | |
|--|---|------------------------|-------------------|----------------|--------------------------------|
| FUNCTIONAL SYMBOLS | THIS DRAWING CONTAINS INFORMATION THAT IS PROPRIETARY TO MOLEX ELECTRONIC TECHNOLOGIES, LLC AND SHOULD NOT BE USED WITHOUT WRITTEN PERMISSION | | CURRENT REV DESC: | | molex |
| | DIMENSION UNITS | SCALE | | | |
| $\frac{F}{A} = 0$ | mm | 1:1 | | | RAST 5 R.A. HDR PA 66 HOUSING |
| $\frac{F}{C} = 0$ | GENERAL TOLERANCES (UNLESS SPECIFIED) | | | | |
| $\frac{F}{P} = 0$ | ANGULAR TOL ± 2.0° | | | | PRODUCT CUSTOMER DRAWING |
| DIVISIONAL SYMBOLS | 4 PLACES ± | EC NO: 749359 | | | |
| | 3 PLACES ± | DRWN: RAHULH3 | 2023/05/12 | | DOCUMENT NUMBER |
| | 2 PLACES ± 0.1 | CHK'D: RAHULH3 | 2023/05/12 | | |
| | 1 PLACE ± 0.2 | APPR: MRAMAKRISHNA | 2023/05/12 | | DOC TYPE DOC PART REVISION |
| | 0 PLACES ± | INITIAL REVISION: | | | |
| DRAFT WHERE APPLICABLE MUST REMAIN WITHIN DIMENSIONS | | THIRD ANGLE PROJECTION | DRAWING | SERIES | 930030001 |
| | | | A1-SIZE | 93003 | |
| | | | MATERIAL NUMBER | CUSTOMER | PSD 000 B1 |
| | | | SEE SHEET 3-11 | GENERAL MARKET | 6 OF 11 |

4 CIRCUIT

SEE CODE DESIGNATION TABLE FOR NUMBERING
FORMAT WHEN ADDING NEW PART NUMBERS

| PART NO. (TIN) | TERM NO. (TIN) | MOLEX HOUSING NO. | TERMINAL VOID POSITION | UNBLOCKED POSITION KEYS | UNBLOCKED CODING KEYS | LATCH POSITION | CONFIGURATION (SEE NOTES) | LUMBERG K REF | TERM NO. (SILVER) | PART NO. (SILVER) | P.C.B. POLARISATION OPTION | TOP SIDE LATCH |
|-------------------|-------------------|----------------------|---------------------------|----------------------------|--------------------------|-------------------|------------------------------|------------------|----------------------|----------------------|----------------------------------|-------------------|
| 93003-1290 | 91703-0005/8 | 93002-2000 | CCT 3 | 1b | 03c d40 | 1/2 3/4 | | K01 | 91703-0006/9 | 93003-1976 | A | YES |
| 93003-1291 | 91703-0005/8 | 93002-2018 | NONE | ALL | ALL | 1/2 3/4 | | K00 | 91703-0006/9 | 93003-1975 | A | NO |
| 93003-1292 | 91703-0005/8 | 93002-2043 | NONE | 2a 2b 3b 4b | 01c d40 | 1/2 3/4 | | --- | 91703-0006/9 | 93003-1974 | A | YES |
| 93003-1293 | 91703-0005/8 | 93002-2045 | NONE | 1b 2b 4a 4b | d20 03c | 1/2 3/4 | | K296 | 91703-0006/9 | 93003-1973 | A | NO |
| 93003-1294 | 91703-0005 | 93002-2000 | NONE | 1b | 03c d40 | 1/2 3/4 | | K** | 91703-0006 | 93003-1972 | C | YES |
| 93003-1295 | 91703-0005/8 | 93002-2000 | NONE | 1b | 03c d40 | 1/2 3/4 | | K** | 91703-0006/9 | 93003-1971 | A | YES |
| 93003-1296 | 91703-0005/8 | 93002-2048 | NONE | 1a 2b 4a | 01c d40 | 1/2 3/4 | | -- | 91703-0006/9 | 93003-1970 | A | YES |

(B)

| | | | | | | | |
|--|---|------------------------|--|--------------|------------------------|---------------------|--|
| FUNCTIONAL SYMBOLS | THIS DRAWING CONTAINS INFORMATION THAT IS PROPRIETARY TO MOLEX ELECTRONIC TECHNOLOGIES, LLC AND SHOULD NOT BE USED WITHOUT WRITTEN PERMISSION | | CURRENT REV DESC: | | | | |
| | DIMENSION UNITS | SCALE | | | | | |
| $\frac{F}{A} = 0$ | mm | 1:1 | DRWN: RAHULH3 | | 2023/05/12 | | |
| $\frac{F}{C} = 0$ | GENERAL TOLERANCES (UNLESS SPECIFIED) | | CHK'D: RAHULH3 | | 2023/05/12 | | |
| $\frac{F}{P} = 0$ | ANGULAR TOL $\pm 2.0^\circ$ | | APPR: MRAMAKRISHNA | | 2023/05/12 | | |
| DIVISIONAL SYMBOLS | 4 PLACES | \pm | INITIAL REVISION: | | 2017/09/08 | | |
| | 3 PLACES | \pm | DRWN: AKABADI | | 2017/11/10 | | |
| | 2 PLACES | ± 0.1 | APPR: BRUTTLE | | 2017/11/10 | | |
| | 1 PLACE | ± 0.2 | DRAFT WHERE APPLICABLE MUST REMAIN WITHIN DIMENSIONS | | THIRD ANGLE PROJECTION | | |
| 0 PLACES | \pm | DRAWING | | SERIES | | | |
| DRAFT WHERE APPLICABLE MUST REMAIN WITHIN DIMENSIONS | | THIRD ANGLE PROJECTION | | DRAWING | | SERIES | |
| | | | | A1-SIZE | | 93003 | |
| DOCUMENT STATUS | | P1 | | RELEASE DATE | | 2023/05/12 09:50:23 | |
| DOCUMENT NUMBER | | 930030001 | | DOC TYPE | | PSD 000 B1 | |
| MATERIAL NUMBER | | SEE SHEET 3-11 | | CUSTOMER | | GENERAL MARKET | |
| SHEET NUMBER | | 7 OF 11 | | | | | |

5 CIRCUIT

SEE CODE DESIGNATION TABLE FOR NUMBERING
FORMAT WHEN ADDING NEW PART NUMBERS

| PART NO. (TIN) | TERM NO. (TIN) | MOLEX HOUSING NO. | TERMINAL VOID POSITION | UNBLOCKED POSITION KEYS | UNBLOCKED CODING KEYS | LATCH POSITION | CONFIGURATION (SEE NOTES) | LUMBERG K REF | TERM NO. (SILVER) | PART NO. (SILVER) | P.C.B. POLARISATION OPTION | TOP SIDE LATCH |
|-------------------|-------------------|----------------------|---------------------------|----------------------------|----------------------------|-------------------|------------------------------|------------------|----------------------|----------------------|----------------------------------|-------------------|
| 93003-2000 | 91703-0005/8 | 93002-3000 | NONE | 1a 5b | 01c d30 | 1/2 2/3 | | K01 | 91703-0006/9 | 93003-2749 | A | YES |
| 93003-2001 | 91703-0005/8 | 93002-3001 | NONE | 1a 3a | 01c d30 | 1/2 4/5 | | K30 | 91703-0006/9 | 93003-2748 | A | YES |
| 93003-2002 | 91703-0005/8 | 93002-3002 | NONE | 1a 5b | 01c d20 03c d50 | 1/2 3/4 | | K31 | 91703-0006/9 | 93003-2747 | A | YES |
| 93003-2003 | 91703-0005/8 | 93002-3003 | NONE | 1b 2a 3b 5a | 01c 03c | 1/2 3/4 | | K35 | 91703-0006/9 | 93003-2746 | A | YES |
| 93003-2023 | 91703-0005/8 | 93002-3004 | NONE | 1a 2a 2b 4b 5b | 01c d30 04c d50 | 1/2 2/3 4/5 | | K36 | 91703-0006/9 | 93003-2732 | A | YES |
| 93003-2024 | 91703-0005/8 | 93002-3005 | NONE | 2a | 01c d50 | 2/3 4/5 | | K43 | 91703-0006/9 | 93003-2731 | A | YES |
| 93003-2025 | 91703-0005/8 | 93002-3006 | NONE | 2a 4b | 01c d20 d40 | 1/2 3/4 | | K44 | 91703-0006/9 | 93003-2730 | A | YES |
| 93003-2026 | 91703-0005/8 | 93002-3007 | NONE | 2b | d20 | 1/2 4/5 | | K02 | 91703-0006/9 | 93003-2729 | A | YES |
| 93003-2027 | 91703-0005/8 | 93002-3008 | NONE | 4b 5a | 01c d30 04c d50 | 1/2 4/5 | | K45 | 91703-0006/9 | 93003-2728 | A | YES |
| 93003-2028 | 91703-0005/8 | 93002-3009 | NONE | NONE | 01c d40 | 1/2 3/4 | | K46 | 91703-0006/9 | 93003-2727 | A | YES |
| 93003-2029 | 91703-0005/8 | 93002-3032 | NONE | 1a 4b | d30 | 1/2 4/5 | | K04 | 91703-0006/9 | 93003-2726 | A | YES |
| 93003-2030 | 91703-0005/8 | 93002-3011 | NONE | 1a 5b | d20 d40 | 1/2 3/4 | | K77 | 91703-0006/9 | 93003-2725 | A | YES |
| 93003-2005 | 91703-0005/8 | 93002-3012 | NONE | 1b 2b 4a | d20 d30 d50 | 1/2 4/5 | | K40 | 91703-0006/9 | 93003-2744 | A | YES |
| 93003-2016 | 91703-0005/8 | 93002-3013 | NONE | 3b 4a 5b | 01c d30 d50 | 2/3 4/5 | | K47 | 91703-0006/9 | 93003-2738 | A | YES |
| 93003-2018 | 91703-0005/8 | 93002-3014 | NONE | 1a 4b | 01c | 1/2 3/4 | | K48 | 91703-0006/9 | 93003-2736 | A | YES |
| 93003-2020 | 91703-0005/8 | 93002-3015 | NONE | 1a 5b | d30 04c | 2/3 | | K50 | 91703-0006/9 | 93003-2734 | A | YES |
| 93003-2021 | 91703-0005/8 | 93002-3016 | NONE | 1b 2a 4a | 01c 04c d50 | 1/2 4/5 | | K51 | 91703-0006/9 | 93003-2733 | A | YES |
| 93003-2022 | 91703-0005/8 | 93002-3017 | NONE | 2b 3b 4a | 01c d20 d40 | 1/2 3/4 | | K52 | 91703-0006/9 | 93003-2735 | A | YES |
| 93003-2031 | 91703-0005/8 | 93002-3024 | NONE | ALL | ALL | 1/2 3/4 | | K00 | 91703-0006/9 | 93003-2724 | A | YES |
| 93003-2032 | 91703-0005/8 | 93002-3025 | CCT 3 | 2b | d30 | 1/2 4/5 | | N/A | 91703-0006/9 | 93003-2723 | B | YES |
| 93003-2033 | 91703-0005/8 | 93002-3027 | CCT 2 | 2b | 01c d20 03c d30 04c d50 | 1/2 4/5 | | N/A | 91703-0006/9 | 93003-2722 | A | YES |
| 93003-2034 | 91703-0005/8 | 93002-3028 | CCT 3 | 2b | 01c d20 03c 04c d50 | 1/2 4/5 | | N/A | 91703-0006/9 | 93003-2721 | A | YES |

| | | | | | |
|--|---|--|---|------------------------------|---|
| FUNCTIONAL SYMBOLS FA = 0 FC = 0 FP = 0 | THIS DRAWING CONTAINS INFORMATION THAT IS PROPRIETARY TO MOLEX ELECTRONIC TECHNOLOGIES, LLC AND SHOULD NOT BE USED WITHOUT WRITTEN PERMISSION | | CURRENT REV DESC: | | RAST 5 R.A. HDR PA 66 HOUSING |
| | DIMENSION UNITS mm | SCALE 1:1 | GENERAL TOLERANCES (UNLESS SPECIFIED) ANGULAR TOL ± 2.0° | | |
| DIVISIONAL SYMBOLS | 4 PLACES ± | | EC NO: 749359 | | PRODUCT CUSTOMER DRAWING DOCUMENT NUMBER: 930030001 DOC TYPE: PSD DOC PART: 000 REVISION: B1 |
| | 3 PLACES ± | | DRWN: RAHULH3 2023/05/12 | | |
| 2 PLACES ± 0.1 | | CHK'D: RAHULH3 2023/05/12 | | INITIAL REVISION: | |
| 1 PLACE ± 0.2 | | APPR: MRAMAKRISHNA 2023/05/12 | | DRWN: AKABADI 2017/09/08 | |
| 0 PLACES ± | | DRAFT WHERE APPLICABLE MUST REMAIN WITHIN DIMENSIONS | | APPR: BRUTTLE 2017/11/10 | |
| THIRD ANGLE PROJECTION | | DRAWING | SERIES | MATERIAL NUMBER | CUSTOMER |
| | | A1-SIZE | 93003 | SEE SHEET 3-11 | GENERAL MARKET |
| | | | | SHEET NUMBER: 8 OF 11 | |

6 CIRCUIT

SEE CODE DESIGNATION TABLE FOR NUMBERING
FORMAT WHEN ADDING NEW PART NUMBERS

| PART NO. (TIN) | TERM NO. (TIN) | MOLEX HOUSING NO. | TERMINAL VOID POSITION | UNBLOCKED POSITION KEYS | UNBLOCKED CODING KEYS | LATCH POSITION | CONFIGURATION (SEE NOTES) | LUMBERG K REF | TERM NO. (SILVER) | PART NO. (SILVER) | P.C.B. POLARISATION OPTION | TOP SIDE LATCH |
|-------------------|-------------------|----------------------|---------------------------|----------------------------|--------------------------|-------------------|------------------------------|------------------|----------------------|----------------------|----------------------------------|-------------------|
| 93003-2753 | 91703-0005/8 | 93002-4000 | NONE | 1b | 03c d60 | 1/2 4/5 | | K01 | 91703-0006/9 | 93003-3499 | A | YES |
| 93003-2754 | 91703-0005/8 | 93002-4001 | NONE | 1a 3b 4b | 01c d50 06c | 1/2 4/5 | | K30 | 91703-0006/9 | 93003-3498 | A | YES |
| 93003-2755 | 91703-0005/8 | 93002-4002 | NONE | 1a 1b 2b 3a 3b 4b | d30 04c d50 | 1/2 2/3 4/5 | | K37 | 91703-0006/9 | 93003-3497 | A | YES |
| 93003-2756 | 91703-0005/8 | 93002-4003 | NONE | 1a 1b 4a 4b | d10 d50 | 2/3 4/5 | | K39 | 91703-0006/9 | 93003-3496 | A | YES |
| 93003-2757 | 91703-0005/8 | 93002-4004 | NONE | 2a 4b 5a 6b | d20 03c 05c | 1/2 3/4 5/6 | | K42 | 91703-0006/9 | 93003-3495 | A | YES |
| 93003-2758 | 91703-0005/8 | 93002-4005 | NONE | 1a 2b 3a 3b 5b 6b | 01c d40 d60 | 1/2 3/4 5/6 | | K43 | 91703-0006/9 | 93003-3494 | A | YES |
| 93003-2759 | 91703-0005/8 | 93002-4006 | NONE | 1b 2a 3a 4b 5a 5b 6b | 01c 03c d60 | 1/2 3/4 5/6 | | K44 | 91703-0006/9 | 93003-3493 | A | YES |
| 93003-2760 | 91703-0005/8 | 93002-4007 | NONE | 2b | d20 d60 | 1/2 5/6 | | K46 | 91703-0006/9 | 93003-3492 | A | YES |
| 93003-2761 | 91703-0005/8 | 93002-4008 | NONE | 2b 3b 4a | 01c d50 06c | 1/2 4/5 | | K36 | 91703-0006/9 | 93003-3491 | A | YES |
| 93003-2762 | 91703-0005/8 | 93002-4009 | NONE | 1b 4b | d20 03c d50 06c | 1/2 4/5 | | K58 | 91703-0006/9 | 93003-3486 | A | YES |
| 93003-2764 | 91703-0005/8 | 93002-4010 | NONE | 1a 2b 3b 4a 6b | 01c 03c d40 05c d60 | 1/2 3/4 5/6 | | K59 | 91703-0006/9 | 93003-3485 | A | YES |
| 93003-2765 | 91703-0005/8 | 93002-4011 | NONE | 1a 2b 4a 6b | 01c d40 | 1/2 3/4 5/6 | | K62 | 91703-0006/9 | 93003-3484 | A | YES |
| 93003-2763 | 91703-0005/8 | 93002-4029 | NONE | 1b 2b 3b | 01c 05c d60 | 1/2 3/4 5/6 | | K04 | 91703-0006/9 | 93003-3490 | A | YES |
| 93003-2766 | 91703-0005/8 | 93002-4013 | NONE | 1b | d20 03c | 1/2 4/5 | | K55 | 91703-0006/9 | 93003-3489 | A | YES |
| 93003-2767 | 91703-0005/8 | 93002-4014 | NONE | 1b 2a 3a 5a 5b | 01c d20 03c d40 d60 | 1/2 3/4 5/6 | | K56 | 91703-0006/9 | 93003-3488 | A | YES |
| 93003-2771 | 91703-0005/8 | 93002-4015 | NONE | 1a 3a 3b 5b 6a | 01c d20 d40 05c d60 | 1/2 3/4 5/6 | | K60 | 91703-0006/9 | 93003-3487 | A | YES |
| 93003-2772 | 91703-0005/8 | 93002-4018 | NONE | ALL | ALL | 1/2 4/5 | | K00 | 91703-0006/9 | 93003-3483 | A | YES |
| 93003-2773 | 91703-0005/8 | 93002-4024 | NONE | 1b 2a 2b 3a 6a 6b | d20 04c d60 | 1/2 5/6 | | K29 | 91703-0006/9 | 93003-3482 | A | NO |

| | | | | | |
|--|---|------------------------|-------------------|----------------|--------------------------------|
| FUNCTIONAL SYMBOLS | THIS DRAWING CONTAINS INFORMATION THAT IS PROPRIETARY TO MOLEX ELECTRONIC TECHNOLOGIES, LLC AND SHOULD NOT BE USED WITHOUT WRITTEN PERMISSION | | CURRENT REV DESC: | | molex |
| | DIMENSION UNITS | SCALE | | | |
| $\frac{E}{A} = 0$ | mm | 1:1 | | | RAST 5 R.A. HDR PA 66 HOUSING |
| $\frac{E}{C} = 0$ | GENERAL TOLERANCES (UNLESS SPECIFIED) | | | | |
| $\frac{E}{P} = 0$ | ANGULAR TOL ± 2.0° | | | | PRODUCT CUSTOMER DRAWING |
| DIVISIONAL SYMBOLS | 4 PLACES ± | EC NO: 749359 | | | |
| | 3 PLACES ± | DRWN: RAHULH3 | 2023/05/12 | | DOCUMENT NUMBER |
| | 2 PLACES ± 0.1 | CHK'D: RAHULH3 | 2023/05/12 | | |
| | 1 PLACE ± 0.2 | APPR: MRAMAKRISHNA | 2023/05/12 | | DOC TYPE DOC PART REVISION |
| | 0 PLACES ± | INITIAL REVISION: | | | |
| DRAFT WHERE APPLICABLE MUST REMAIN WITHIN DIMENSIONS | | THIRD ANGLE PROJECTION | DRAWING | SERIES | 930030001 |
| | | | A1-SIZE | 93003 | |
| | | | MATERIAL NUMBER | CUSTOMER | PSD 000 B1 |
| | | | SEE SHEET 3-11 | GENERAL MARKET | 9 OF 11 |

7 CIRCUIT

SEE CODE DESIGNATION TABLE FOR NUMBERING
FORMAT WHEN ADDING NEW PART NUMBERS

| PART NO. (TIN) | TERM NO. (TIN) | MOLEX HOUSING NO. | TERMINAL VOID POSITION | UNBLOCKED POSITION KEYS | UNBLOCKED CODING KEYS | LATCH POSITION | CONFIGURATION (SEE NOTES) | LUMBERG K REF | TERM NO. (SILVER) | PART NO. (SILVER) | P.C.B. POLARISATION OPTION | TOP SIDE LATCH |
|-------------------|-------------------|----------------------|---------------------------|----------------------------|----------------------------|-------------------|------------------------------|------------------|----------------------|----------------------|----------------------------------|-------------------|
| 93003-3500 | 91703-0005/8 | 93002-5000 | NONE | NONE | 03c d40 07c | 1/2 5/6 | | K01 | 91703-0006/9 | 93003-4220 | A | YES |
| 93003-3512 | 91703-0005/8 | 93002-5001 | NONE | 3a 4a | d30 d70 | 1/2 5/6 | | K30 | 91703-0006/9 | 93003-4248 | A | YES |
| 93003-3504 | 91703-0005/8 | 93002-5002 | NONE | 2b | d20 d60 | 1/2 5/6 | | K32 | 91703-0006/9 | 93003-4247 | A | YES |
| 93003-3513 | 91703-0005/8 | 93002-5003 | NONE | 1a 1b 3a 4b 5a | 01c 07c | 1/2 3/4 5/6 | | K40 | 91703-0006/9 | 93003-4240 | A | YES |
| 93003-3514 | 91703-0005/8 | 93002-5004 | NONE | 2a | 01c d50 | 2/3 4/5 | | K41 | 91703-0006/9 | 93003-4239 | A | YES |
| 93003-3515 | 91703-0005/8 | 93002-5005 | NONE | 7b | 01c d40 d70 | 1/2 3/4 6/7 | | K43 | 91703-0006/9 | 93003-4238 | A | YES |
| 93003-3516 | 91703-0005/8 | 93002-5006 | NONE | 1b | 03c d60 | 1/2 4/5 | | K31 | 91703-0006/9 | 93003-4237 | A | YES |
| 93003-3517 | 91703-0005/8 | 93002-5007 | NONE | 1a 3a 4b 7b | 01c d20 03c 06c | 1/2 3/4 6/7 | | K45 | 91703-0006/9 | 93003-4236 | A | YES |
| 93003-3518 | 91703-0005/8 | 93002-5008 | NONE | 1b 7a | 02c d50 | 2/3 6/7 | | K48 | 91703-0006/9 | 93003-4235 | A | YES |
| 93003-3519 | 91703-0005/8 | 93002-5009 | NONE | 1a 2b 3a 4b 6a | d20 03c d40 d50 d70 | 1/2 3/4 6/7 | | K51 | 91703-0006/9 | 93003-4234 | A | YES |
| 93003-3520 | 91703-0005/8 | 93002-5010 | NONE | 1b 6a | d20 03c d50 d70 | 1/2 3/4 6/7 | | K69 | 91703-0006/9 | 93003-4233 | A | YES |
| 93003-3505 | 91703-0005/8 | 93002-5011 | NONE | 1b 2a 5a 5b 7b | d20 d50 06c d70 | 1/2 4/5 6/7 | | K34 | 91703-0006/9 | 93003-4246 | A | YES |
| 93003-3506 | 91703-0005/8 | 93002-5012 | NONE | 2b | d20 07c | 1/2 3/4 5/6 | | K35 | 91703-0006/9 | 93003-4245 | A | YES |
| 93003-3507 | 91703-0005/8 | 93002-5013 | NONE | 2a 2b 4b 5b 6a | d20 03c d40 d60 | 1/2 3/4 5/6 | | K38 | 91703-0006/9 | 93003-4244 | A | YES |
| 93003-3510 | 91703-0005/8 | 93002-5014 | NONE | 2b 4a 4b 5b 6a | 01c d20 d40 d60 | 1/2 3/4 5/6 | | K42 | 91703-0006/9 | 93003-4241 | A | YES |
| 93003-3521 | 91703-0005/8 | 93002-5016 | NONE | ALL | ALL | 1/2 5/6 | | K00 | 91703-0006/9 | 93003-4232 | A | YES |
| 93003-3522 | 91703-0005/8 | 93002-5019 | CCT 6 | ALL | 03c d40 07c | 1/2 5/6 | | --- | 91703-0006/9 | 93003-4231 | A | YES |
| 93003-3523 | 91703-0005/8 | 93002-5000 | NONE | NONE | 03c d40 07c | 1/2 5/6 | | K01 | 91703-0006/9 | 93003-4230 | A | NO |
| 93003-3524 | 91703-0005/8 | 93002-5020 | NONE | ALL | ALL | 1/2 4/5 6/7 | | K101 | 91703-0006/9 | 93003-4229 | A | YES |
| 93003-3525 | 91703-0005/8 | 93002-5019 | NONE | ALL | 03c d40 07c | 1/2 5/6 | | --- | 91703-0006/9 | 93003-4228 | A | YES |
| 93003-3526 | 91703-0005/8 | 93002-5017 | CCT 4,5,6 | 2a 3b 4b 5a 6a 6b 7a | 01c d30 04c 06c d60 d70 | 1/2 4/5 | | --- | 91703-0006/9 | 93003-4227 | A | YES |
| 93003-3527 | 91703-0005/8 | 93002-5017 | CCT 4 | 2a 3b 4b 5a 6a 6b 7a | 01c d30 04c 06c d60 d70 | 1/2 4/5 | | --- | 91703-0006/9 | 93003-4226 | A | YES |
| 93003-3529 | 91703-0005/8 | 93002-5024 | NONE | 3a 4b 7a | ALL | 1/2 5/6 | | --- | 91703-0006/9 | 93003-4225 | A | YES |

| | | | | | | |
|---|---|--|--|---------------------------|---|--|
| FUNCTIONAL SYMBOLS = 0 = 0 = 0 DIVISIONAL SYMBOLS | THIS DRAWING CONTAINS INFORMATION THAT IS PROPRIETARY TO MOLEX ELECTRONIC TECHNOLOGIES, LLC AND SHOULD NOT BE USED WITHOUT WRITTEN PERMISSION | | CURRENT REV DESC: | | RAST 5 R.A. HDR PA 66 HOUSING PRODUCT CUSTOMER DRAWING | |
| | DIMENSION UNITS mm | SCALE 1:1 | EC NO: 749359 DRWN: RAHULH3 CHK'D: RAHULH3 APPR: MRAMAKRISHNA | | | DOCUMENT NUMBER 930030001 |
| | GENERAL TOLERANCES (UNLESS SPECIFIED) ANGULAR TOL ± 2.0° | | INITIAL REVISION: DRWN: AKABADI APPR: BRUTTLE | | | DOC TYPE DOC PART REVISION PSD 000 B1 |
| | 4 PLACES ± 3 PLACES ± 2 PLACES ± 0.1 1 PLACE ± 0.2 0 PLACES ± | DRAFT WHERE APPLICABLE MUST REMAIN WITHIN DIMENSIONS | THIRD ANGLE PROJECTION | DRAWING A1-SIZE | | SERIES 93003 |
| MATERIAL NUMBER SEE SHEET 3-11 | | CUSTOMER GENERAL MARKET | | SHEET NUMBER 10 OF 11 | | |

8 CIRCUIT

SEE CODE DESIGNATION TABLE FOR NUMBERING
FORMAT WHEN ADDING NEW PART NUMBERS

| PART NO. (TIN) | TERM NO. (TIN) | MOLEX HOUSING NO. | TERMINAL VOID POSITION | UNBLOCKED POSITION KEYS | UNBLOCKED CODING KEYS | LATCH POSITION | CONFIGURATION (SEE NOTES) | LUMBERG K REF | TERM NO. (SILVER) | PART NO. (SILVER) | P.C.B. POLARISATION OPTION | TOP SIDE LATCH |
|-------------------|-------------------|----------------------|---------------------------|----------------------------|--------------------------|--------------------|------------------------------|------------------|----------------------|----------------------|----------------------------------|-------------------|
| 93003-4252 | 91703-0005/8 | 93002-6000 | NONE | 4a 6b | 03c d60 | 1/2 3/4 5/6 7/8 | | K30 | 91703-0006/9 | 93003-4998 | A | YES |
| 93003-4253 | 91703-0005/8 | 93002-6001 | NONE | 1a 2a 3a 3b 6a 7a 7b 8b | 01c 05c d60 | 1/2 3/4 5/6 7/8 | | K33 | 91703-0006/9 | 93003-4997 | A | YES |
| 93003-4254 | 91703-0005/8 | 93002-6002 | NONE | 2b 3b 4b 5a 5b 7a 8b | 01c d60 d80 | 1/2 4/5 7/8 | | K41 | 91703-0006/9 | 93003-4996 | A | YES |
| 93003-4255 | 91703-0005/8 | 93002-6003 | NONE | 1b 4b 7b 8b | 01c d20 04c d50 07c | 1/2 4/5 7/8 | | K45 | 91703-0006/9 | 93003-4995 | A | YES |
| 93003-4256 | 91703-0005/8 | 93002-6004 | NONE | 1a 1b 3b 5a 6b 7a 8b | 01c 03c d40 d60 | 1/2 3/4 5/6 7/8 | | K46 | 91703-0006/9 | 93003-4993 | A | YES |
| 93003-4257 | 91703-0005/8 | 93002-6005 | NONE | 1b 5a 6b 8a | 03c d40 05c 07c d80 | 1/2 3/4 5/6 7/8 | | K48 | 91703-0006/9 | 93003-4992 | A | YES |
| 93003-4259 | 91703-0005/8 | 93002-6006 | NONE | 8b | 02c d30 07c | 2/3 7/8 | | -- | 91703-0006/9 | 93003-4991 | A | YES |
| 93003-4258 | 91703-0005/8 | 93002-6007 | NONE | 1a 4b 5b 6a 8b | d40 d60 07c d80 | 1/2 3/4 5/6 7/8 | | K44 | 91703-0006/9 | 93003-4994 | A | YES |
| 93003-4263 | 91703-0005/8 | 93002-6008 | NONE | 8b | 02c d30 07c | 2/3 | | K49 | 91703-0006/9 | 93003-4990 | A | YES |
| 93003-4264 | 91703-0005/8 | 93002-6006 | NONE | 8b | 02c d30 07c | 2/3 7/8 | | -- | 91703-0006/9 | 93003-4989 | A | YES |

| | | | | | | | |
|--------------------|---|-------|---|--|--|--|--|
| FUNCTIONAL SYMBOLS | THIS DRAWING CONTAINS INFORMATION THAT IS PROPRIETARY TO MOLEX ELECTRONIC TECHNOLOGIES, LLC AND SHOULD NOT BE USED WITHOUT WRITTEN PERMISSION | | CURRENT REV DESC: | | | | |
| | DIMENSION UNITS | SCALE | | | | | |
| $\frac{F}{A} = 0$ | mm | 1:1 | PRODUCT CUSTOMER DRAWING | | | | |
| $\frac{F}{C} = 0$ | GENERAL TOLERANCES (UNLESS SPECIFIED) | | | | | DOCUMENT NUMBER: 930030001 DOC TYPE: PSD DOC PART: 000 REVISION: B1 | |
| $\frac{F}{P} = 0$ | ANGULAR TOL ± 2.0° | | INITIAL REVISION: DRWN: AKABADI 2017/09/08 APPR: BRUTTLE 2017/11/10 | | | | |
| DIVISIONAL SYMBOLS | 4 PLACES ± | | | | | MATERIAL NUMBER: 93003 CUSTOMER: GENERAL MARKET SHEET NUMBER: 11 OF 11 | |
| | 3 PLACES ± | | DRAFT WHERE APPLICABLE MUST REMAIN WITHIN DIMENSIONS | | | | |
| | 2 PLACES ± | 0.1 | | | | THIRD ANGLE PROJECTION | |
| | 1 PLACE ± | 0.2 | DRAWING: A1-SIZE SERIES: 93003 | | | | |
| | 0 PLACES ± | | | | | SEE SHEET 3-11 | |
| | | | SHEET NUMBER: 11 OF 11 | | | | |
| | | | | | | | |