

Crimp contact - CK1,6-BR-1,00ST OIC AG - 1004380


Please be informed that the data shown in this PDF Document is generated from our Online Catalog. Please find the complete data in the user's documentation. Our General Terms of Use for Downloads are valid (<http://phoenixcontact.com/download>)



Crimp contact, contact diameter: 1.6 mm, rolled, Pin, contact material: Cu alloy, nickel-plated, contact surface: silver-plated, connection cross section: 0.34 mm² ... 1 mm², AWG 22 ... 17, Taped products



Key Commercial Data

Packing unit	7000 pc
Minimum order quantity	7000 pc
GTIN	 4 055626 472393
GTIN	4055626472393

Technical data

Ambient conditions

Ambient temperature (operation)	-40 °C ... 125 °C
---------------------------------	-------------------

Mechanical characteristics

Conductor cross section	0.34 mm² ... 1 mm²
Connection cross section AWG	22 ... 17
Stripping length of the individual wire	4 mm
Contact diameter	1.6 mm
Insertion/withdrawal cycles	≥ 50

General

Type	Male contact for taped products
Connection method	Crimp connection
Contact type	rolled
Assembly instructions	max. crimping speed for 1 mm² corresponds to a cycle time of 1 second
Connection	A tool for automatically processing these contacts on crimping devices can be obtained from U. Kolb GmbH, Neuer Weg 32, 71111 Waldenbuch, Germany, info@u-kolb-gmbh.de , Phone +49-(0)7157-7371-0. Order No.: 20.2001-1004380/4381, lubricant for crimp contacts: KMT 200 (wieds Ecochem AG)

Crimp contact - CK1,6-BR-1,00ST OIC AG - 1004380

Technical data

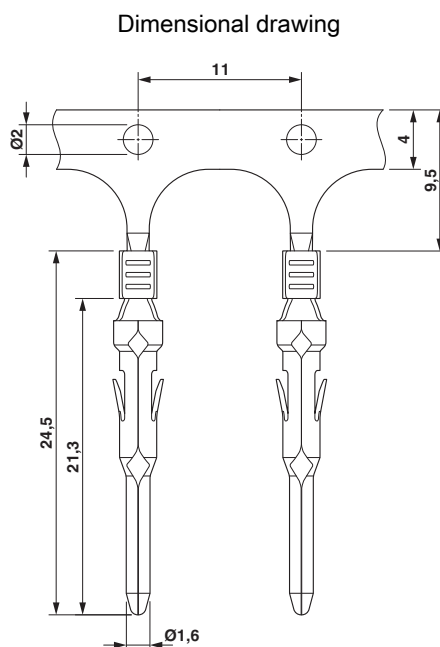
Material data

Contact material	Cu alloy, nickel-plated
Contact surface material	silver-plated

Environmental Product Compliance

China RoHS	Environmentally Friendly Use Period = 50 years
	For details about hazardous substances go to tab "Downloads", Category "Manufacturer's declaration"

Drawings



Classifications

eCl@ss

eCl@ss 10.0.1	27440204
eCl@ss 11.0	27440204
eCl@ss 5.1	27261200
eCl@ss 6.0	27261200
eCl@ss 7.0	27440204
eCl@ss 9.0	27440204

ETIM

ETIM 6.0	EC000796
ETIM 7.0	EC000796

Crimp contact - CK1,6-BR-1,00ST OIC AG - 1004380

Accessories

Accessories

Assembly tool

Contact removal tool - VC-EW 1,6 - 1884869



Contact removal tool, for turned and rolled CK- 1.6-... contacts

Assembly tool - UNIFOX MT-CK 1.6/2.5 - 1089092



Assembly tool, for CK 1.6... crimp contacts for small conductor cross sections

Universal tools

Contact removal tool - UNIFOX RT-CK 1.6 - 1072069



Contact removal tool, for turned and rolled CK- 1.6-... contacts

Additional products

Crimp contact - CK1,6-BR-1,00BU OIC AG - 1004381



Crimp contact, contact diameter: 1.6 mm, rolled, Socket, contact material: Cu alloy, nickel-plated, contact surface: silver-plated, connection cross section: 0.34 mm² ... 1 mm², AWG 22 ... 17, Taped products

Phoenix Contact 2021 © - all rights reserved
<http://www.phoenixcontact.com>

PHOENIX CONTACT GmbH & Co. KG
Flachmarktstr. 8
32825 Blomberg
Germany
Tel. +49 5235 300
Fax +49 5235 3 41200
<http://www.phoenixcontact.com>