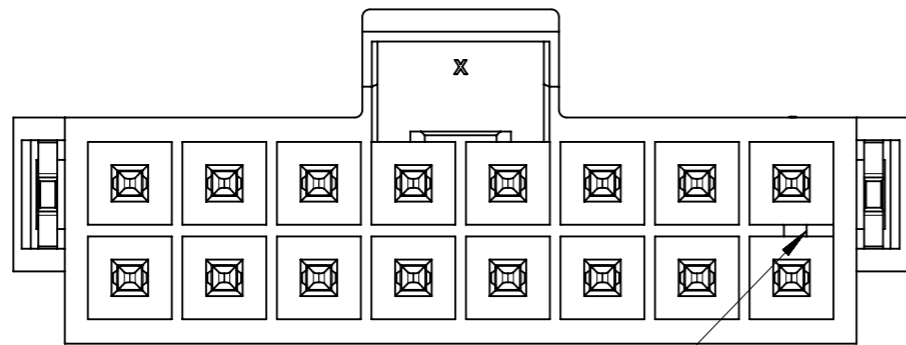


RECOMMENDED PCB(CONNECTOR SIDE VIEW)  
THICKNESS=1.6 TO 2.4 MM

|  |   |                             |                    |                   |                          |
|--|---|-----------------------------|--------------------|-------------------|--------------------------|
| FUNCTIONAL SYMBOLS                                   | THIS DRAWING CONTAINS INFORMATION THAT IS PROPRIETARY TO MOLEX ELECTRONIC TECHNOLOGIES, LLC AND SHOULD NOT BE USED WITHOUT WRITTEN PERMISSION |                             | CURRENT REV DESC:  |                   | <b>molex</b>             |
|  | GENERAL TOLERANCES (UNLESS SPECIFIED)   | ANGULAR TOL $\pm 3.0^\circ$ | EC NO: 697101      |                   |                          |
| DIVISIONAL SYMBOLS                                   | 4 PLACES $\pm$  | 3 PLACES $\pm 0.1$          | 2 PLACES $\pm 0.2$ | 1 PLACE $\pm 0.3$ | PRODUCT CUSTOMER DRAWING |
|  | INITIAL REVISION:   |                             | DOCUMENT NUMBER    |                   | DOC TYPE                 |
|  | DRWN: GLLI  |                             | 2019/09/24         |                   | DOC PART                 |
|  | APPR: YXZHENG   |                             | 2020/03/16         |                   | REVISION                 |
| DRAFT WHERE APPLICABLE MUST REMAIN WITHIN DIMENSIONS |   | THIRD ANGLE PROJECTION      | DRAWING            | SERIES            | MATERIAL NUMBER          |
|  |   |                             | A3-SIZE            | 105312            | CUSTOMER                 |
|  |   |                             |                    | GENERAL MARKET    | SHEET NUMBER             |
|  |   |                             |                    | 1 OF 5            |                          |

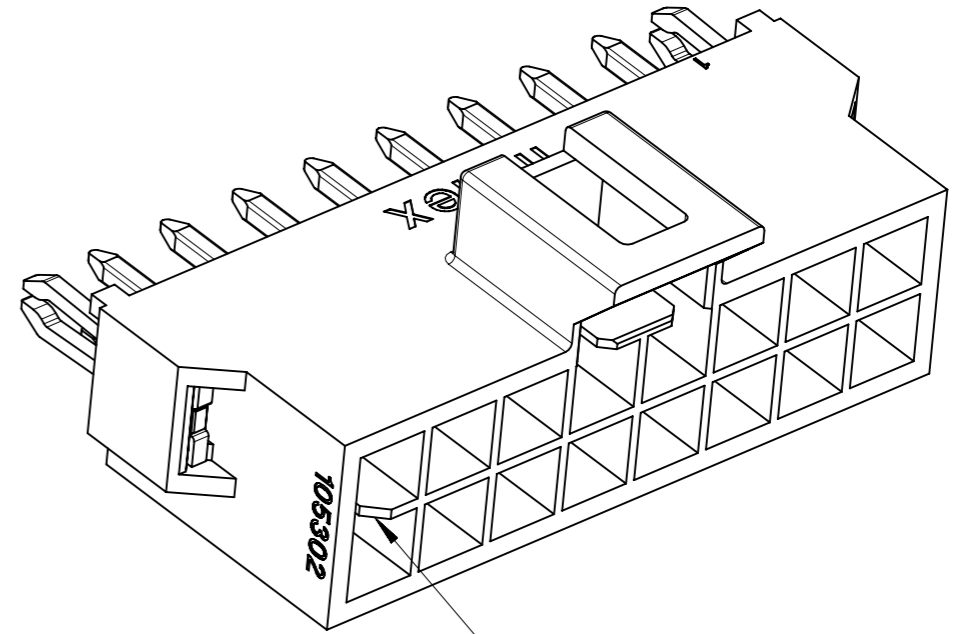


KEY A

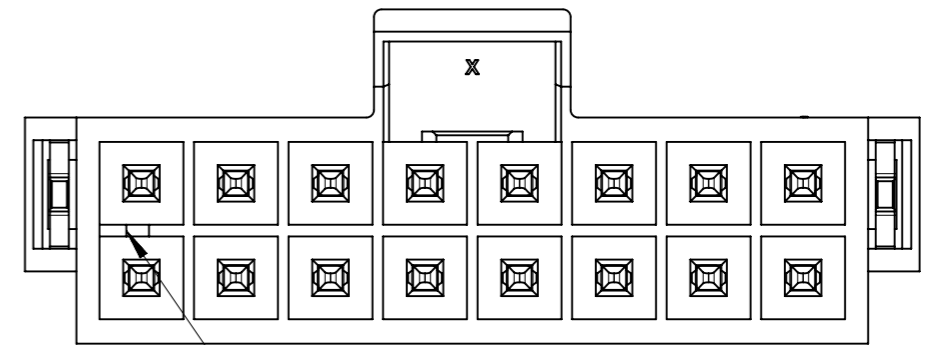


KEY A

BLACK



KEY B



KEY B

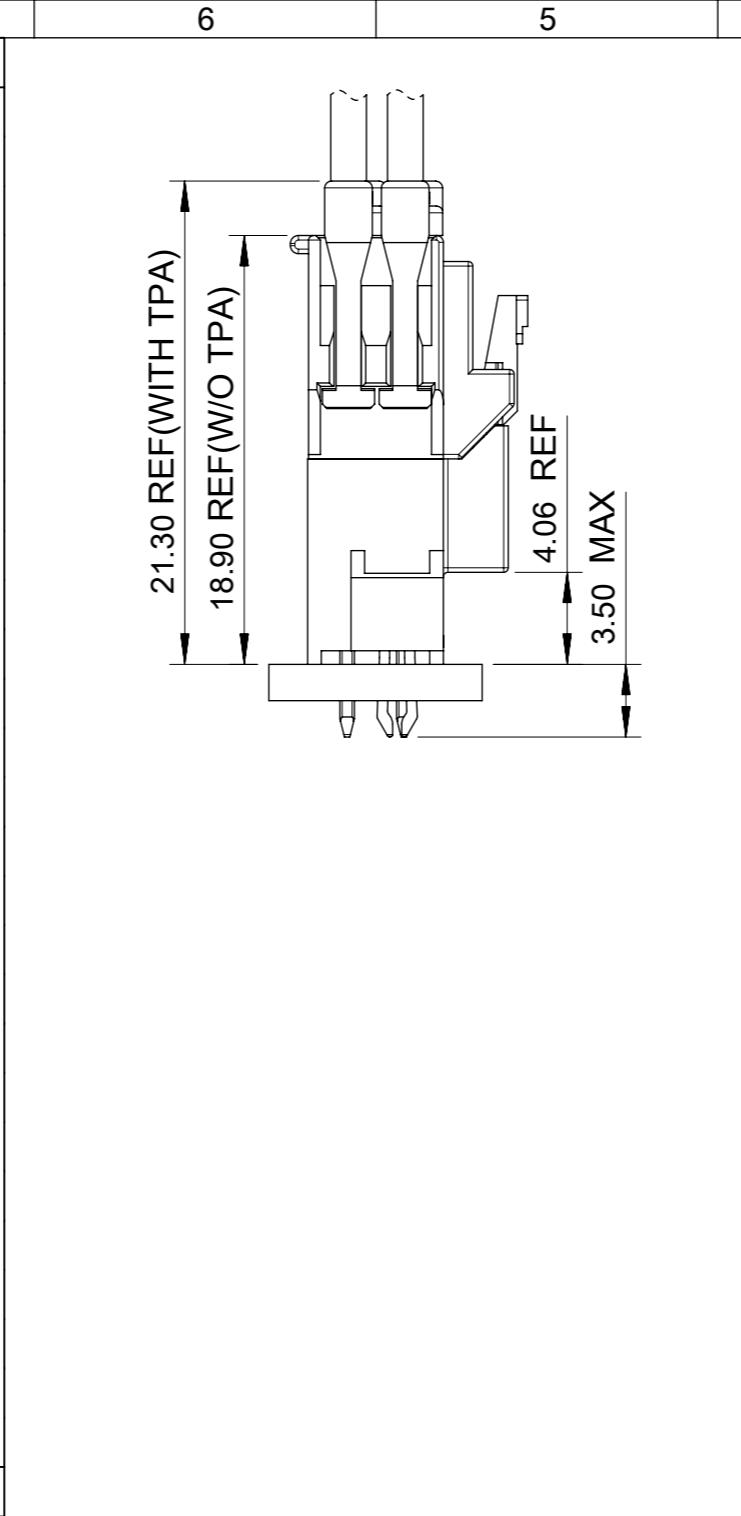
NATURAL

COLOR OPTION

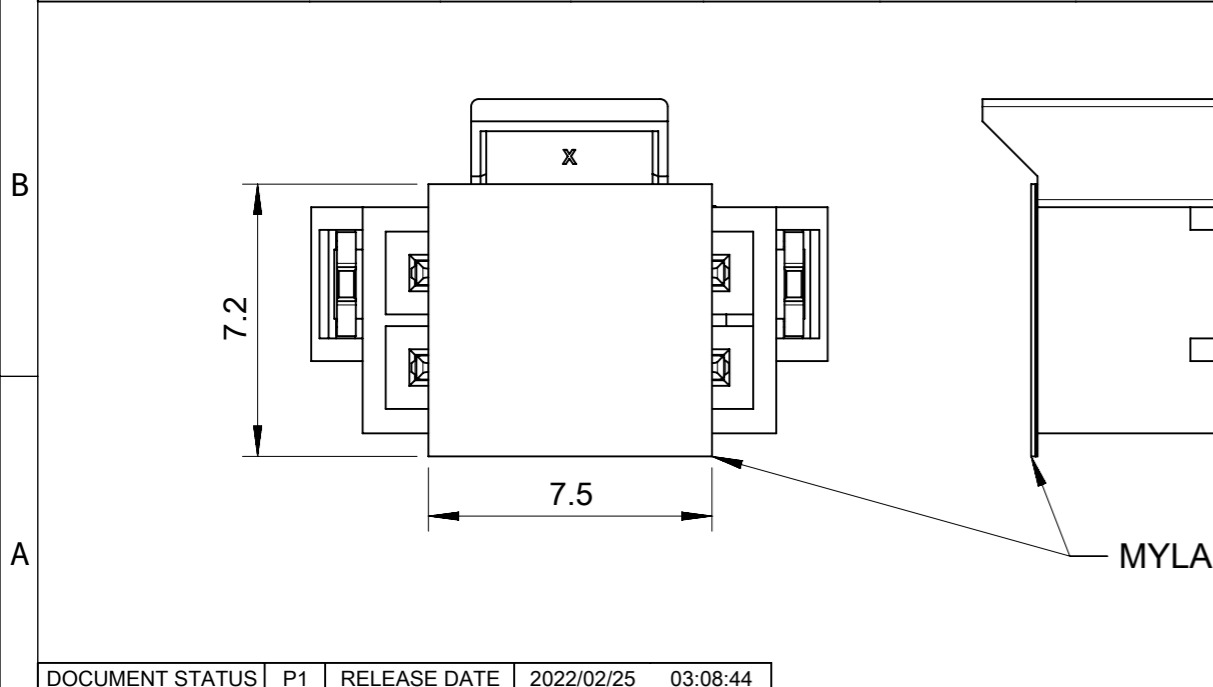
|                    |   |     |   |         |   |          |          |           |
|--------------------|---|-----|---|---------|---|----------|----------|-----------|
| FUNCTIONAL SYMBOLS | THIS DRAWING CONTAINS INFORMATION THAT IS PROPRIETARY TO MOLEX ELECTRONIC TECHNOLOGIES, LLC AND SHOULD NOT BE USED WITHOUT WRITTEN PERMISSION |     | CURRENT REV DESC:   |         | <b>molex</b>  |          |          |           |
|                    | ▽A = 0  | mm  |   |         |   |          |          | SCALE 5:1 |
| ▽E = 0             | GENERAL TOLERANCES (UNLESS SPECIFIED)   |     | EC NO: 697101<br>DRWN: GLLI 2022/02/24<br>CHK'D: XQZHANG 2022/02/25<br>APPR: XQZHANG 2022/02/25<br>INITIAL REVISION:<br>DRWN: GLLI 2019/09/24<br>APPR: YXZHENG 2020/03/16 |         | HEADER OF NANO-FIT, D/R, CLIP, VERTICAL POWER CONNECTOR |          |          |           |
| ▽E = 0             | ANGULAR TOL ± 3.0°  |     |   |         | PRODUCT CUSTOMER DRAWING                                |          |          |           |
| DIVISIONAL SYMBOLS | 4 PLACES ±  | 0.1 |   |         | DOCUMENT NUMBER   | DOC TYPE | DOC PART | REVISION  |
|                    | 3 PLACES ±  | 0.2 |   |         | 1053121000-SD   | PSD      | 000      | B1        |
|                    | 2 PLACES ±  | 0.3 |   |         | MATERIAL NUMBER   |          | CUSTOMER |           |
|                    | 1 PLACE ±   | 0.3 | 105312  |         | GENERAL MARKET  |          |          |           |
|                    | 0 PLACES ±  |     | SERIES  |         | SHEET NUMBER  |          |          |           |
|                    | DRAFT WHERE APPLICABLE MUST REMAIN WITHIN DIMENSIONS  |     | THIRD ANGLE PROJECTION  | DRAWING | A3-SIZE   |          |          |           |
|                    |   |     | 105312  |         | 2 OF 5  |          |          |           |

|                 |    |              |            |          |
|-----------------|----|--------------|------------|----------|
| DOCUMENT STATUS | P1 | RELEASE DATE | 2022/02/25 | 03:08:44 |
|-----------------|----|--------------|------------|----------|

| PART NUMBER  | DIM 'A' | DIM 'B' | DIM 'C' | CKT SIZE | PLATING             | MYLAR |
|--------------|---------|---------|---------|----------|---------------------|-------|
| 105312-3504  | 8.66    | 5.94    | 6.84    | 4        | TIN                 |       |
| 105312-3506  | 11.16   | 8.44    | 9.34    | 6        |                     |       |
| 105312-3508  | 13.66   | 10.94   | 11.84   | 8        |                     |       |
| 105312-3510  | 16.16   | 13.44   | 14.34   | 10       |                     |       |
| 105312-3512  | 18.66   | 15.94   | 16.84   | 12       |                     |       |
| 105312-3514  | 21.16   | 18.44   | 19.34   | 14       |                     |       |
| 105312-3516  | 23.66   | 20.94   | 21.84   | 16       |                     |       |
| 105312-3704  | 8.66    | 5.94    | 6.84    | 4        | GOLD 0.38           |       |
| 105312-3706  | 11.16   | 8.44    | 9.34    | 6        |                     |       |
| 105312-3708  | 13.66   | 10.94   | 11.84   | 8        |                     |       |
| 105312-3710  | 16.16   | 13.44   | 14.34   | 10       |                     |       |
| 105312-3712  | 18.66   | 15.94   | 16.84   | 12       |                     |       |
| 105312-3714  | 21.16   | 18.44   | 19.34   | 14       |                     |       |
| 105312-3716  | 23.66   | 20.94   | 21.84   | 16       |                     |       |
| 105312-3604  | 8.66    | 5.94    | 6.84    | 4        | GOLD 0.76           | YES   |
| 105312-3606  | 11.16   | 8.44    | 9.34    | 6        |                     |       |
| 105312-3608  | 13.66   | 10.94   | 11.84   | 8        |                     |       |
| 105312-3610  | 16.16   | 13.44   | 14.34   | 10       |                     |       |
| 105312-3612  | 18.66   | 15.94   | 16.84   | 12       |                     |       |
| 105312-3614  | 21.16   | 18.44   | 19.34   | 14       |                     |       |
| 105312-3616  | 23.66   | 20.94   | 21.84   | 16       |                     |       |
| 105312-3804  | 8.66    | 5.94    | 6.84    | 4        | GOLD 0.76<br>+ LUBE |       |
| 105312-3806  | 11.16   | 8.44    | 9.34    | 6        |                     |       |
| 105312-3808  | 13.66   | 10.94   | 11.84   | 8        |                     |       |
| 105312-3810  | 16.16   | 13.44   | 14.34   | 10       |                     |       |
| 105312-3812  | 18.66   | 15.94   | 16.84   | 12       |                     |       |
| 105312-3814  | 21.16   | 18.44   | 19.34   | 14       |                     |       |
| 105312-3816  | 23.66   | 20.94   | 21.84   | 16       |                     |       |
| COLOR: BLACK |         |         |         |          |                     |       |



| PART NUMBER    | DIM 'A' | DIM 'B' | DIM 'C' | CKT SIZE | PLATING             | MYLAR |
|----------------|---------|---------|---------|----------|---------------------|-------|
| 105312-4504    | 8.66    | 5.94    | 6.84    | 4        | TIN                 |       |
| 105312-4506    | 11.16   | 8.44    | 9.34    | 6        |                     |       |
| 105312-4508    | 13.66   | 10.94   | 11.84   | 8        |                     |       |
| 105312-4510    | 16.16   | 13.44   | 14.34   | 10       |                     |       |
| 105312-4512    | 18.66   | 15.94   | 16.84   | 12       |                     |       |
| 105312-4514    | 21.16   | 18.44   | 19.34   | 14       |                     |       |
| 105312-4516    | 23.66   | 20.94   | 21.84   | 16       |                     |       |
| 105312-4704    | 8.66    | 5.94    | 6.84    | 4        | GOLD 0.38           |       |
| 105312-4706    | 11.16   | 8.44    | 9.34    | 6        |                     |       |
| 105312-4708    | 13.66   | 10.94   | 11.84   | 8        |                     |       |
| 105312-4710    | 16.16   | 13.44   | 14.34   | 10       |                     |       |
| 105312-4712    | 18.66   | 15.94   | 16.84   | 12       |                     |       |
| 105312-4714    | 21.16   | 18.44   | 19.34   | 14       |                     |       |
| 105312-4716    | 23.66   | 20.94   | 21.84   | 16       |                     |       |
| 105312-4604    | 8.66    | 5.94    | 6.84    | 4        | GOLD 0.76           | YES   |
| 105312-4606    | 11.16   | 8.44    | 9.34    | 6        |                     |       |
| 105312-4608    | 13.66   | 10.94   | 11.84   | 8        |                     |       |
| 105312-4610    | 16.16   | 13.44   | 14.34   | 10       |                     |       |
| 105312-4612    | 18.66   | 15.94   | 16.84   | 12       |                     |       |
| 105312-4614    | 21.16   | 18.44   | 19.34   | 14       |                     |       |
| 105312-4616    | 23.66   | 20.94   | 21.84   | 16       |                     |       |
| 105312-4804    | 8.66    | 5.94    | 6.84    | 4        | GOLD 0.76<br>+ LUBE |       |
| 105312-4806    | 11.16   | 8.44    | 9.34    | 6        |                     |       |
| 105312-4808    | 13.66   | 10.94   | 11.84   | 8        |                     |       |
| 105312-4810    | 16.16   | 13.44   | 14.34   | 10       |                     |       |
| 105312-4812    | 18.66   | 15.94   | 16.84   | 12       |                     |       |
| 105312-4814    | 21.16   | 18.44   | 19.34   | 14       |                     |       |
| 105312-4816    | 23.66   | 20.94   | 21.84   | 16       |                     |       |
| COLOR: NATURAL |         |         |         |          |                     |       |



|   |   |                    |                 |                |              |  |                        |         |                                       |                 |          |                |                             |         |                |          |                |                    |          |           |          |           |         |           |          |       |  |  |  |  |               |            |            |            |                |            |               |            |                   |  |            |            |               |            |   |                 |  |  |          |          |          |               |  |  |     |
|---|---|--------------------|-----------------|----------------|--------------|--|------------------------|---------|---------------------------------------|-----------------|----------|----------------|-----------------------------|---------|----------------|----------|----------------|--------------------|----------|-----------|----------|-----------|---------|-----------|----------|-------|--|--|--|--|---------------|------------|------------|------------|----------------|------------|---------------|------------|-------------------|--|------------|------------|---------------|------------|---|-----------------|--|--|----------|----------|----------|---------------|--|--|-----|
| FUNCTIONAL SYMBOLS  | THIS DRAWING CONTAINS INFORMATION THAT IS PROPRIETARY TO MOLEX ELECTRONIC TECHNOLOGIES, LLC AND SHOULD NOT BE USED WITHOUT WRITTEN PERMISSION   | CURRENT REV DESC:  |                 | <b>molex</b>   |              |  |                        |         |                                       |                 |          |                |                             |         |                |          |                |                    |          |           |          |           |         |           |          |       |  |  |  |  |               |            |            |            |                |            |               |            |                   |  |            |            |               |            |   |                 |  |  |          |          |          |               |  |  |     |
|   | <table border="1"> <tr><td>FUNCTIONAL SYMBOLS</td><td>DIMENSION UNITS</td><td>SCALE</td></tr> <tr><td><math>\nabla_A = 0</math></td><td>mm</td><td>5:1</td></tr> <tr><td colspan="3">GENERAL TOLERANCES (UNLESS SPECIFIED)</td></tr> <tr><td><math>\nabla_E = 0</math></td><td colspan="2">ANGULAR TOL <math>\pm 3.0^\circ</math></td></tr> <tr><td><math>\nabla_F = 0</math></td><td>4 PLACES</td><td><math>\pm</math></td></tr> <tr><td rowspan="4">DIVISIONAL SYMBOLS</td><td>3 PLACES</td><td><math>\pm 0.1</math></td></tr> <tr><td>2 PLACES</td><td><math>\pm 0.2</math></td></tr> <tr><td>1 PLACE</td><td><math>\pm 0.3</math></td></tr> <tr><td>0 PLACES</td><td><math>\pm</math></td></tr> <tr><td colspan="3">DRAFT WHERE APPLICABLE MUST REMAIN WITHIN DIMENSIONS</td></tr> </table> | FUNCTIONAL SYMBOLS | DIMENSION UNITS |                | SCALE        | $\nabla_A = 0$   | mm                     | 5:1     | GENERAL TOLERANCES (UNLESS SPECIFIED) |                 |          | $\nabla_E = 0$ | ANGULAR TOL $\pm 3.0^\circ$ |         | $\nabla_F = 0$ | 4 PLACES | $\pm$          | DIVISIONAL SYMBOLS | 3 PLACES | $\pm 0.1$ | 2 PLACES | $\pm 0.2$ | 1 PLACE | $\pm 0.3$ | 0 PLACES | $\pm$ | DRAFT WHERE APPLICABLE MUST REMAIN WITHIN DIMENSIONS |  |  | <table border="1"> <tr><td>EC NO: 697101</td><td>2022/02/24</td></tr> <tr><td>DRWN: GLLI</td><td>2022/02/25</td></tr> <tr><td>CHK'D: XQZHANG</td><td>2022/02/25</td></tr> <tr><td>APPR: XQZHANG</td><td>2022/02/25</td></tr> <tr><td colspan="2">INITIAL REVISION:</td></tr> <tr><td>DRWN: GLLI</td><td>2019/09/24</td></tr> <tr><td>APPR: YXZHENG</td><td>2020/03/16</td></tr> </table> | EC NO: 697101 | 2022/02/24 | DRWN: GLLI | 2022/02/25 | CHK'D: XQZHANG | 2022/02/25 | APPR: XQZHANG | 2022/02/25 | INITIAL REVISION: |  | DRWN: GLLI | 2019/09/24 | APPR: YXZHENG | 2020/03/16 | <table border="1"> <tr><td colspan="3">DOCUMENT NUMBER</td><td>DOC TYPE</td><td>DOC PART</td><td>REVISION</td></tr> <tr><td colspan="3">1053121000-SD</td><td>PSD</td><td>000</td><td>B1</td></tr> </table> | DOCUMENT NUMBER |  |  | DOC TYPE | DOC PART | REVISION | 1053121000-SD |  |  | PSD |
| FUNCTIONAL SYMBOLS  | DIMENSION UNITS   | SCALE              |                 |                |              |  |                        |         |                                       |                 |          |                |                             |         |                |          |                |                    |          |           |          |           |         |           |          |       |  |  |  |  |               |            |            |            |                |            |               |            |                   |  |            |            |               |            |   |                 |  |  |          |          |          |               |  |  |     |
| $\nabla_A = 0$  | mm  | 5:1                |                 |                |              |  |                        |         |                                       |                 |          |                |                             |         |                |          |                |                    |          |           |          |           |         |           |          |       |  |  |  |  |               |            |            |            |                |            |               |            |                   |  |            |            |               |            |   |                 |  |  |          |          |          |               |  |  |     |
| GENERAL TOLERANCES (UNLESS SPECIFIED)   |   |                    |                 |                |              |  |                        |         |                                       |                 |          |                |                             |         |                |          |                |                    |          |           |          |           |         |           |          |       |  |  |  |  |               |            |            |            |                |            |               |            |                   |  |            |            |               |            |   |                 |  |  |          |          |          |               |  |  |     |
| $\nabla_E = 0$  | ANGULAR TOL $\pm 3.0^\circ$   |                    |                 |                |              |  |                        |         |                                       |                 |          |                |                             |         |                |          |                |                    |          |           |          |           |         |           |          |       |  |  |  |  |               |            |            |            |                |            |               |            |                   |  |            |            |               |            |   |                 |  |  |          |          |          |               |  |  |     |
| $\nabla_F = 0$  | 4 PLACES  | $\pm$              |                 |                |              |  |                        |         |                                       |                 |          |                |                             |         |                |          |                |                    |          |           |          |           |         |           |          |       |  |  |  |  |               |            |            |            |                |            |               |            |                   |  |            |            |               |            |   |                 |  |  |          |          |          |               |  |  |     |
| DIVISIONAL SYMBOLS  | 3 PLACES  | $\pm 0.1$          |                 |                |              |  |                        |         |                                       |                 |          |                |                             |         |                |          |                |                    |          |           |          |           |         |           |          |       |  |  |  |  |               |            |            |            |                |            |               |            |                   |  |            |            |               |            |   |                 |  |  |          |          |          |               |  |  |     |
|   | 2 PLACES  | $\pm 0.2$          |                 |                |              |  |                        |         |                                       |                 |          |                |                             |         |                |          |                |                    |          |           |          |           |         |           |          |       |  |  |  |  |               |            |            |            |                |            |               |            |                   |  |            |            |               |            |   |                 |  |  |          |          |          |               |  |  |     |
|   | 1 PLACE   | $\pm 0.3$          |                 |                |              |  |                        |         |                                       |                 |          |                |                             |         |                |          |                |                    |          |           |          |           |         |           |          |       |  |  |  |  |               |            |            |            |                |            |               |            |                   |  |            |            |               |            |   |                 |  |  |          |          |          |               |  |  |     |
|   | 0 PLACES  | $\pm$              |                 |                |              |  |                        |         |                                       |                 |          |                |                             |         |                |          |                |                    |          |           |          |           |         |           |          |       |  |  |  |  |               |            |            |            |                |            |               |            |                   |  |            |            |               |            |   |                 |  |  |          |          |          |               |  |  |     |
| DRAFT WHERE APPLICABLE MUST REMAIN WITHIN DIMENSIONS  |   |                    |                 |                |              |  |                        |         |                                       |                 |          |                |                             |         |                |          |                |                    |          |           |          |           |         |           |          |       |  |  |  |  |               |            |            |            |                |            |               |            |                   |  |            |            |               |            |   |                 |  |  |          |          |          |               |  |  |     |
| EC NO: 697101   | 2022/02/24  |                    |                 |                |              |  |                        |         |                                       |                 |          |                |                             |         |                |          |                |                    |          |           |          |           |         |           |          |       |  |  |  |  |               |            |            |            |                |            |               |            |                   |  |            |            |               |            |   |                 |  |  |          |          |          |               |  |  |     |
| DRWN: GLLI  | 2022/02/25  |                    |                 |                |              |  |                        |         |                                       |                 |          |                |                             |         |                |          |                |                    |          |           |          |           |         |           |          |       |  |  |  |  |               |            |            |            |                |            |               |            |                   |  |            |            |               |            |   |                 |  |  |          |          |          |               |  |  |     |
| CHK'D: XQZHANG  | 2022/02/25  |                    |                 |                |              |  |                        |         |                                       |                 |          |                |                             |         |                |          |                |                    |          |           |          |           |         |           |          |       |  |  |  |  |               |            |            |            |                |            |               |            |                   |  |            |            |               |            |   |                 |  |  |          |          |          |               |  |  |     |
| APPR: XQZHANG   | 2022/02/25  |                    |                 |                |              |  |                        |         |                                       |                 |          |                |                             |         |                |          |                |                    |          |           |          |           |         |           |          |       |  |  |  |  |               |            |            |            |                |            |               |            |                   |  |            |            |               |            |   |                 |  |  |          |          |          |               |  |  |     |
| INITIAL REVISION:   |   |                    |                 |                |              |  |                        |         |                                       |                 |          |                |                             |         |                |          |                |                    |          |           |          |           |         |           |          |       |  |  |  |  |               |            |            |            |                |            |               |            |                   |  |            |            |               |            |   |                 |  |  |          |          |          |               |  |  |     |
| DRWN: GLLI  | 2019/09/24  |                    |                 |                |              |  |                        |         |                                       |                 |          |                |                             |         |                |          |                |                    |          |           |          |           |         |           |          |       |  |  |  |  |               |            |            |            |                |            |               |            |                   |  |            |            |               |            |   |                 |  |  |          |          |          |               |  |  |     |
| APPR: YXZHENG   | 2020/03/16  |                    |                 |                |              |  |                        |         |                                       |                 |          |                |                             |         |                |          |                |                    |          |           |          |           |         |           |          |       |  |  |  |  |               |            |            |            |                |            |               |            |                   |  |            |            |               |            |   |                 |  |  |          |          |          |               |  |  |     |
| DOCUMENT NUMBER   |   |                    | DOC TYPE        | DOC PART       | REVISION     |  |                        |         |                                       |                 |          |                |                             |         |                |          |                |                    |          |           |          |           |         |           |          |       |  |  |  |  |               |            |            |            |                |            |               |            |                   |  |            |            |               |            |   |                 |  |  |          |          |          |               |  |  |     |
| 1053121000-SD   |   |                    | PSD             | 000            | B1           |  |                        |         |                                       |                 |          |                |                             |         |                |          |                |                    |          |           |          |           |         |           |          |       |  |  |  |  |               |            |            |            |                |            |               |            |                   |  |            |            |               |            |   |                 |  |  |          |          |          |               |  |  |     |
| <table border="1"> <tr><td>DOCUMENT STATUS</td><td>P1</td><td>RELEASE DATE</td><td>2022/02/25</td><td>03:08:44</td></tr> </table> | DOCUMENT STATUS   | P1                 | RELEASE DATE    | 2022/02/25     | 03:08:44     | <table border="1"> <tr><td>THIRD ANGLE PROJECTION</td><td>DRAWING</td><td>SERIES</td><td>MATERIAL NUMBER</td><td>CUSTOMER</td><td>SHEET NUMBER</td></tr> <tr><td></td><td>A3-SIZE</td><td>105312</td><td></td><td>GENERAL MARKET</td><td>3 OF 5</td></tr> </table> | THIRD ANGLE PROJECTION | DRAWING | SERIES                                | MATERIAL NUMBER | CUSTOMER | SHEET NUMBER   |                             | A3-SIZE | 105312         |          | GENERAL MARKET | 3 OF 5             |          |           |          |           |         |           |          |       |  |  |  |  |               |            |            |            |                |            |               |            |                   |  |            |            |               |            |   |                 |  |  |          |          |          |               |  |  |     |
| DOCUMENT STATUS   | P1  | RELEASE DATE       | 2022/02/25      | 03:08:44       |              |  |                        |         |                                       |                 |          |                |                             |         |                |          |                |                    |          |           |          |           |         |           |          |       |  |  |  |  |               |            |            |            |                |            |               |            |                   |  |            |            |               |            |   |                 |  |  |          |          |          |               |  |  |     |
| THIRD ANGLE PROJECTION  | DRAWING   | SERIES             | MATERIAL NUMBER | CUSTOMER       | SHEET NUMBER |  |                        |         |                                       |                 |          |                |                             |         |                |          |                |                    |          |           |          |           |         |           |          |       |  |  |  |  |               |            |            |            |                |            |               |            |                   |  |            |            |               |            |   |                 |  |  |          |          |          |               |  |  |     |
|   | A3-SIZE   | 105312             |                 | GENERAL MARKET | 3 OF 5       |  |                        |         |                                       |                 |          |                |                             |         |                |          |                |                    |          |           |          |           |         |           |          |       |  |  |  |  |               |            |            |            |                |            |               |            |                   |  |            |            |               |            |   |                 |  |  |          |          |          |               |  |  |     |

|   |         |  |   |   |   |
|---|---------|--|---|---|---|
|   |         | 4 CKT  | 6 CKT   | 8 CKT   | 10 CKT  |
| F | BLACK   |     |    |    |  |
| E | NATURAL |     |    |    |  |
|   |         | 12 CKT   | 14 CKT  | 16 CKT  |   |
| D | BLACK   |   |   |   |   |
| C | NATURAL |  |  |  |   |

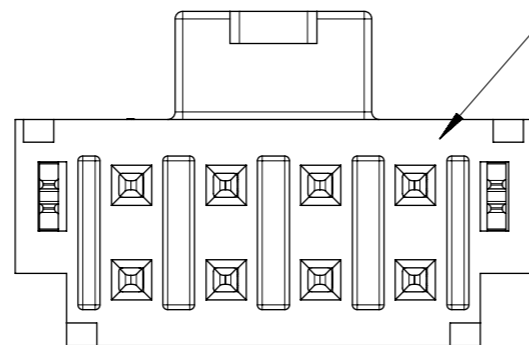
|  |   |     |                   |  |                 |  |          |
|--|---|-----|-------------------|--|-----------------|--|----------|
| FUNCTIONAL SYMBOLS                                   | THIS DRAWING CONTAINS INFORMATION THAT IS PROPRIETARY TO MOLEX ELECTRONIC TECHNOLOGIES, LLC AND SHOULD NOT BE USED WITHOUT WRITTEN PERMISSION |     | CURRENT REV DESC: |  | <b>molex</b>    |  |          |
|  | SCALE   | 3:1 |                   |  |                 |  |          |
| GENERAL TOLERANCES (UNLESS SPECIFIED)                | mm  |     | EC NO: 697101     |  | 2022/02/24      |  |          |
| ANGULAR TOL  | ± 3.0°  |     | DRWN: GLLI        |  | 2022/02/25      |  |          |
| 4 PLACES   | ±   |     | CHK'D: XQZHANG    |  | 2022/02/25      |  |          |
| 3 PLACES   | ± 0.1   |     | APPR: XQZHANG     |  | 2022/02/25      |  |          |
| 2 PLACES   | ± 0.2   |     | INITIAL REVISION: |  | DOCUMENT NUMBER |  |          |
| 1 PLACE  | ± 0.3   |     | DRWN: GLLI        |  | 1053121000-SD   |  | DOC TYPE |
| 0 PLACES   | ±   |     | APPR: YXZHENG     |  | PSD             |  | DOC PART |
| DRAFT WHERE APPLICABLE MUST REMAIN WITHIN DIMENSIONS | THIRD ANGLE PROJECTION  |     | DRAWING           |  | SERIES          |  | REVISION |
|  |    |     | A3-SIZE           |  | 105312          |  | B1       |
|  | MATERIAL NUMBER   |     | CUSTOMER          |  | SHEET NUMBER    |  |          |
|  | 105312  |     | GENERAL MARKET    |  | 4 OF 5          |  |          |

NOTES FOR ALL PARTS

1> MATERIAL:  
 HOUSING: LCP, UL 94V-0.  
 TERMINAL: BRASS.  
 SOLDER CLIP: BRASS.

2> PLATING FINISHED:  
 TERMINAL:  
 CONTACT AREA: a. REFLOW MATTE TIN 1.5MICRONS MIN;  
 b. GOLD 0.38 MICRONS MIN;  
 c. GOLD 0.76 MICRONS MIN.  
 SOLDER AREA: MATTE TIN 1.5 MICRONS MIN, UNDER PLATING NICKEL 1.25 MICRONS MIN.  
 SOLDER CLIP: MATTE TIN 2.5 MICRONS MIN, UNDER PLATING NICKEL 1.25 MICRONS MIN.

3> PRODUCT SPECIFICATION: PS-105300-100.  
 4> PACKAGE: TAPE REEL, 1053121000-PK.  
 5> PRODUCT MATE WITH SERIES OF 105308(RECEPTACLE), 105300(CRIMP TERMINAL).  
 6> PARTS CONFORM TO CLASS 'B'REQUIREMENTS OF COSMETIC SPECIFICATION PS-45499-002.  
 7> DISCOLORATION IN THE BANDOLIER PIN CARRIER AREA OF THE PIN IS INHERENT TO THE PLATING PROCESS AND IS DUE TO THE MASKING DEFECT OF THE CARRIER, THIS DISCOLORATION IS IN A NON-FUNCTION AREA OF THE PIN AND WILL NOT AFFECT THE PERFORMANCE OF THE HEADER ASSEMBLY.



IF ANY NUMBER MARK APPEARS ON THIS SURFACE, PLEASE DISREGARD IT, IT IS NO ANY FUCTION AND NO ANY RELATION TO PIN NUMBER, IT IS JUST FOR MOLDING IDENDIFICATION.

|  |   |                        |   |         |  |  |                 |          |           |          |
|--|---|------------------------|---|---------|--|--|-----------------|----------|-----------|----------|
| FUNCTIONAL SYMBOLS                                   | THIS DRAWING CONTAINS INFORMATION THAT IS PROPRIETARY TO MOLEX ELECTRONIC TECHNOLOGIES, LLC AND SHOULD NOT BE USED WITHOUT WRITTEN PERMISSION |                        | CURRENT REV DESC:   |         | <b>molex</b>   |  |                 |          |           |          |
|  | △/A = 0   | mm                     |   |         |  |  |                 |          | SCALE 1:1 |          |
| DIVISIONAL SYMBOLS                                   | GENERAL TOLERANCES (UNLESS SPECIFIED)   |                        | EC NO: 697101<br>DRWN: GLLI 2022/02/24<br>CHK'D: XQZHANG 2022/02/25<br>APPR: XQZHANG 2022/02/25 |         | PRODUCT CUSTOMER DRAWING   |  |                 |          |           |          |
|  | △/E = 0   | ANGULAR TOL ± 3.0 °    |   |         |  |  |                 |          |           |          |
|  | △/F = 0   | 4 PLACES ±             |   |         | INITIAL REVISION:<br>DRWN: GLLI 2019/09/24<br>APPR: YXZHENG 2020/03/16 |  | DOCUMENT NUMBER | DOC TYPE | DOC PART  | REVISION |
|  | 3 PLACES ± 0.1  | 1053121000-SD          |   |         |  |  | PSD             | 000      | B1        |          |
|  | 2 PLACES ± 0.2  |                        |   |         |  |  | GENERAL MARKET  |          | 5 OF 5    |          |
| 1 PLACE ± 0.3  | A3-SIZE   |                        | 105312  |         |  |  |                 |          |           |          |
| 0 PLACES ±   |   |                        |   |         | THIRD ANGLE PROJECTION   |  | DRAWING         |          | SERIES    |          |
| DRAFT WHERE APPLICABLE MUST REMAIN WITHIN DIMENSIONS |   | THIRD ANGLE PROJECTION |   | DRAWING |  |  |                 |          |           |          |