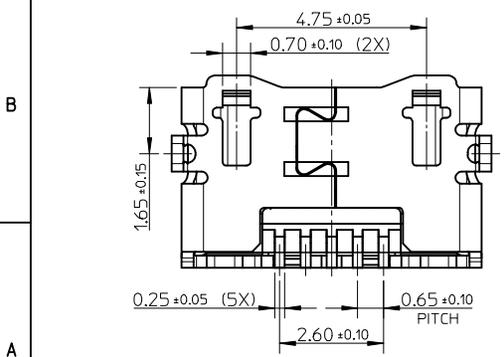
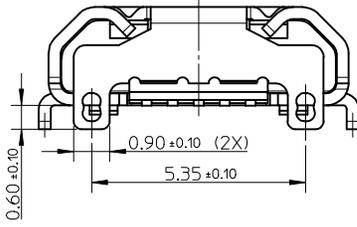
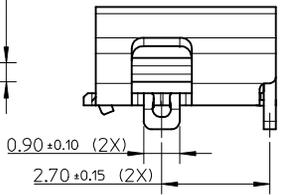
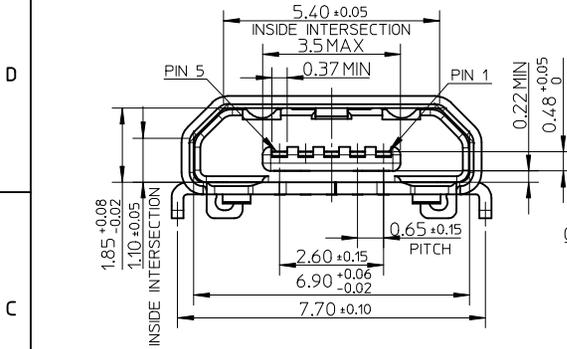


RECOMMENDED P.C.B. PATTERN LAYOUT
GENERAL TOLERANCE: ±0.05



- NOTES:
- MATERIAL:
HOUSING: LCP, BLACK, UL94V-0;
TERMINAL: COPPER ALLOY, THICKNESS: 0.15mm;
SHELL: STAINLESS STEEL, THICKNESS: 0.30mm.
 - PLATING:
TERMINAL:
CONTACT AREA: 0.76 MICRON MINIMUM GOLD PLATING;
SOLDER TAIL AREA: GOLD FLASH;
UNDER PLATING: NICKEL 2.0 MICRON MINIMUM.
SHELL: 1.27 MICRON MINIMUM NICKEL UNDER PLATING,
MATTE TIN PLATING OVERALL, 2.0 MICRON MINIMUM
ON SOLDERING TABS AREA.
0.133 MICRON MINIMUM BLACK NICKEL SELECT PLATING FRONT PORTION,
NO BLACK NICKEL PLATING ON SOLDERING TABS.
 - TAIL & NAIL COPLANARITY 0.08mm.
 - PRODUCT SPECIFICATION: PS-47642-001.
 - PACKAGING SPECIFICATION: PK-105410-001.
 - PRODUCT COMPLIANT TO RoHS DIRECTIVE 2011/65/EU AND ELV 2000/53/EC.

NEW RELEASE IEC NO: SH2016-0113 DRWN: XQZHANG 2015/10/14 CHKD: XQZHANG 2015/10/14 APPR: AYIN 2015/11/17	QUALITY SYMBOLS $F_A=0$ $F_B=0$ $F_C=0$	GENERAL TOLERANCES (UNLESS SPECIFIED)		DIMENSION STYLE		SCALE	DESIGN UNITS	THIRD ANGLE PROJECTION		
				MM ONLY		1:1	METRIC			
			mm	INCH	DRAWN BY	DATE	TITLE			
		4 PLACES	± ---	± ---	XQZHANG	2014/11/06	SALES DRAWING FOR USB MICRO-B, TOP MOUNT TYPE			
3 PLACES	± ---	± ---	CHECKED BY	DATE						
2 PLACES	± 0.15	± ---	XQZHANG	2014/11/06						
1 PLACE	± 0.25	± ---	APPROVED BY	DATE						
0 PLACE	± ---	± ---	AYIN	2015/11/17	MATERIAL NO.		DOCUMENT NO.		SHEET NO.	
ANGULAR ± 3°		DRAFT WHERE APPLICABLE MUST REMAIN WITHIN DIMENSIONS		105410-1002		SD-105410-100		1 OF 1		
				THIS DRAWING CONTAINS INFORMATION THAT IS PROPRIETARY TO MOLEX INCORPORATED AND SHOULD NOT BE USED WITHOUT WRITTEN PERMISSION						