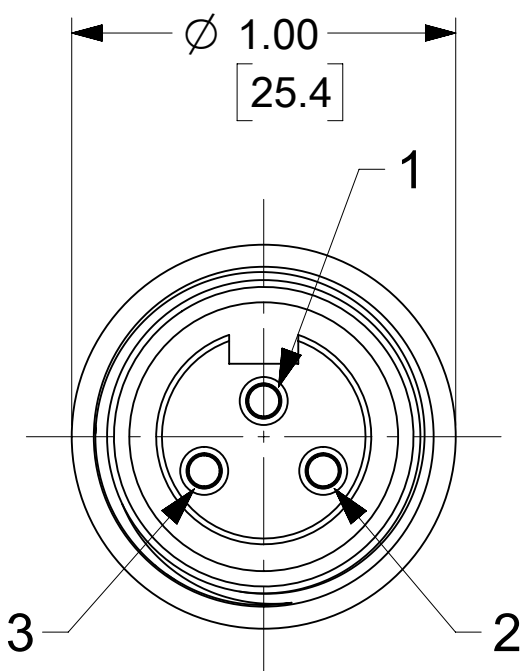
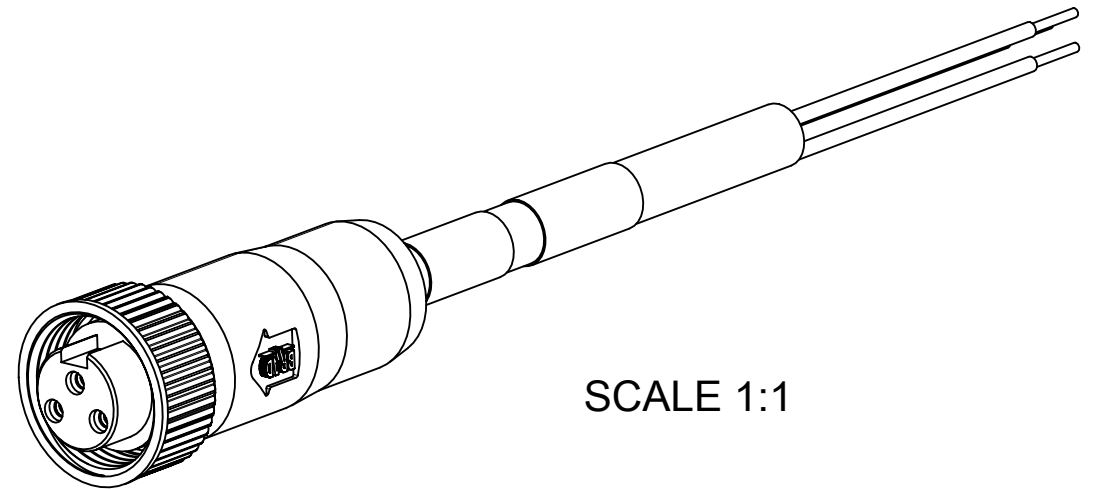
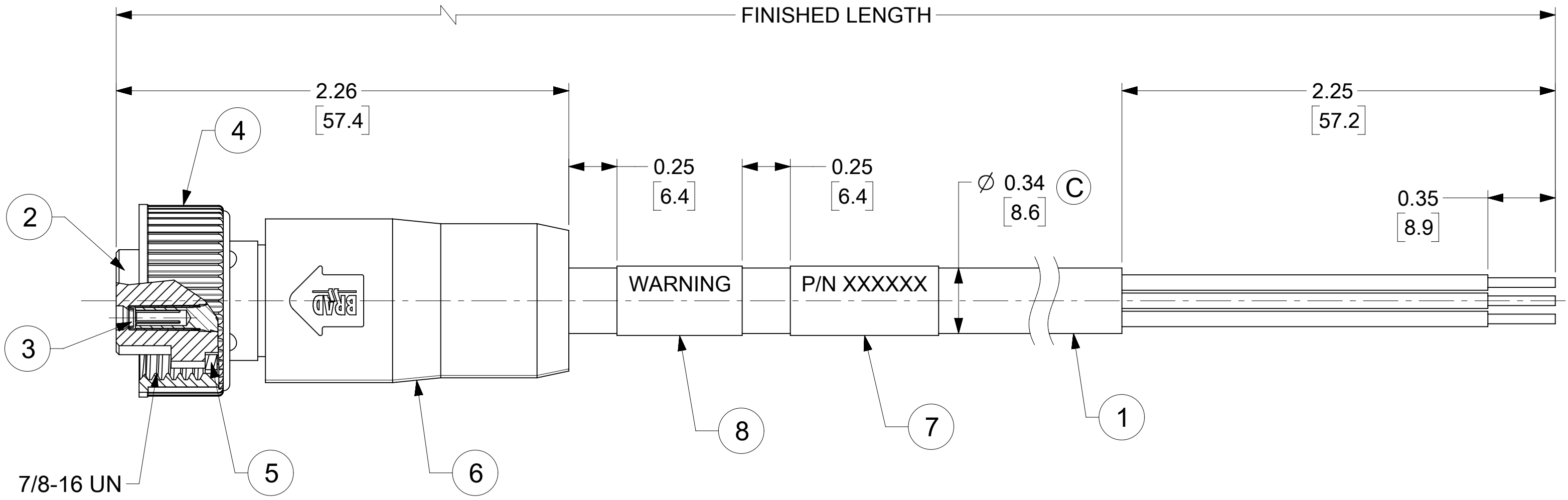


MATERIAL NO.	ENGINEERING NO.	FINISHED LENGTH
1300611029	103000K20M010E	3 FT 3 IN (1M)
1300611096	103000K20M050G	16 FT 4.9 IN (5M)
1300611033	103000K20M200E	65 FT 6 IN (20M)

CABLE LENGTH TOLERANCES
 <.3M [1FT]: +19mm-0 [+ .75in-0]
 .3 - .9M [1 - 3FT]: +44.5mm-0 [+1.75in-0]
 .9 - 1.8M [3 - 6FT]: +55.6mm-0 [+2.19in-0]
 1.8 - 3.7M [6 - 12FT]: +88.9mm-0 [+3.50in-0]
 3.7 - 7.3M [12 - 24FT]: +165.1mm-0 [+6.50in-0]
 7.3-14.6M [24 - 48FT]: +317.5mm-0 [+12.50in-0]
 14.6 - 30.5M [48-100FT]: +622.3mm-0 [+24.50in-0]
 OVER 30M [100FT] +2% OF FINISHED LENGTH



FEMALE FACE VIEW



- NOTES:
1. MATERIAL: AS NOTED
 2. FINISH: AS NOTED
 3. ELECTRICAL:
 VOLTAGE: 500V PER IEC60664
 600V PER UL2237
 CURRENT: 15A
 4. TEMP RATING: -20°C TO +90°C
 5. PROTECTION: IP67 (WHEN MATED)
 6. UL LISTED FILE: 258922
 7. ALL DIMS ARE FOR REFERENCE UNLESS TOLERANCED OR NOTED OTHERWISE

WIRING DIAGRAM

S1	
1	GREEN/YELLOW
2	BLACK
3	WHITE

PART NUMBER LEGEND

103000K20M010E

OVERMOLD
 E=RED
 G=BLACK

FINISHED LENGTH
 M001 = 0.1 METER
 M010 = 1 METERS
 M100 = 10 METERS

8	WARNING LABEL	VINYL	BLACK/ORANGE
7	WRAP LABEL	VINYL	BLACK/YELLOW
6	OVERMOLD	TPE	BLACK
5	FRICION RING	NYLON	WHITE
4	COUPLING NUT	ZINC DIE-CAST	BLACK E-COAT
3	SOCKET CONTACT	Cu ALLOY	GOLD PLATED
2	FEMALE INSERT	TPE	BLACK
1	CABLE, 14 AWG TC-ER	TPE	BLACK
ITEM	DESCRIPTION	MATERIAL	FINISH

FUNCTIONAL SYMBOLS	THIS DRAWING CONTAINS INFORMATION THAT IS PROPRIETARY TO MOLEX ELECTRONIC TECHNOLOGIES, LLC AND SHOULD NOT BE USED WITHOUT WRITTEN PERMISSION		CURRENT REV DESC: ITEM #2 & 6 WERE PVC, MODIFIED MATERIAL TABLE & ADDED CABLE DIA.					
	DIMENSION UNITS	SCALE						
$F_A = 0$	INCH/MM	2:1	EC NO: 709714		DRWN: VHANDI 2020/05/13			
$F_C = 0$	GENERAL TOLERANCES (UNLESS SPECIFIED)		CHK'D: RSTONE 2022/06/08		APPR: BWOODMAN 2022/06/14			
$F_P = 0$			INITIAL REVISION:		DRWN: RSTONE 2015/11/09			
DIVISIONAL SYMBOLS			APPR: BWOODMAN 2015/12/04		SD-130061-032			
			DRAFT WHERE APPLICABLE MUST REMAIN WITHIN DIMENSIONS		THIRD ANGLE PROJECTION		DRAWING SERIES C-SIZE 130061	
					MATERIAL NUMBER CUSTOMER		SEE TABLE GENERAL MARKET	
					DOCUMENT NUMBER		DOC TYPE DOC PART REVISION	
					PSD 001		C	
					SHEET NUMBER		1 OF 1	