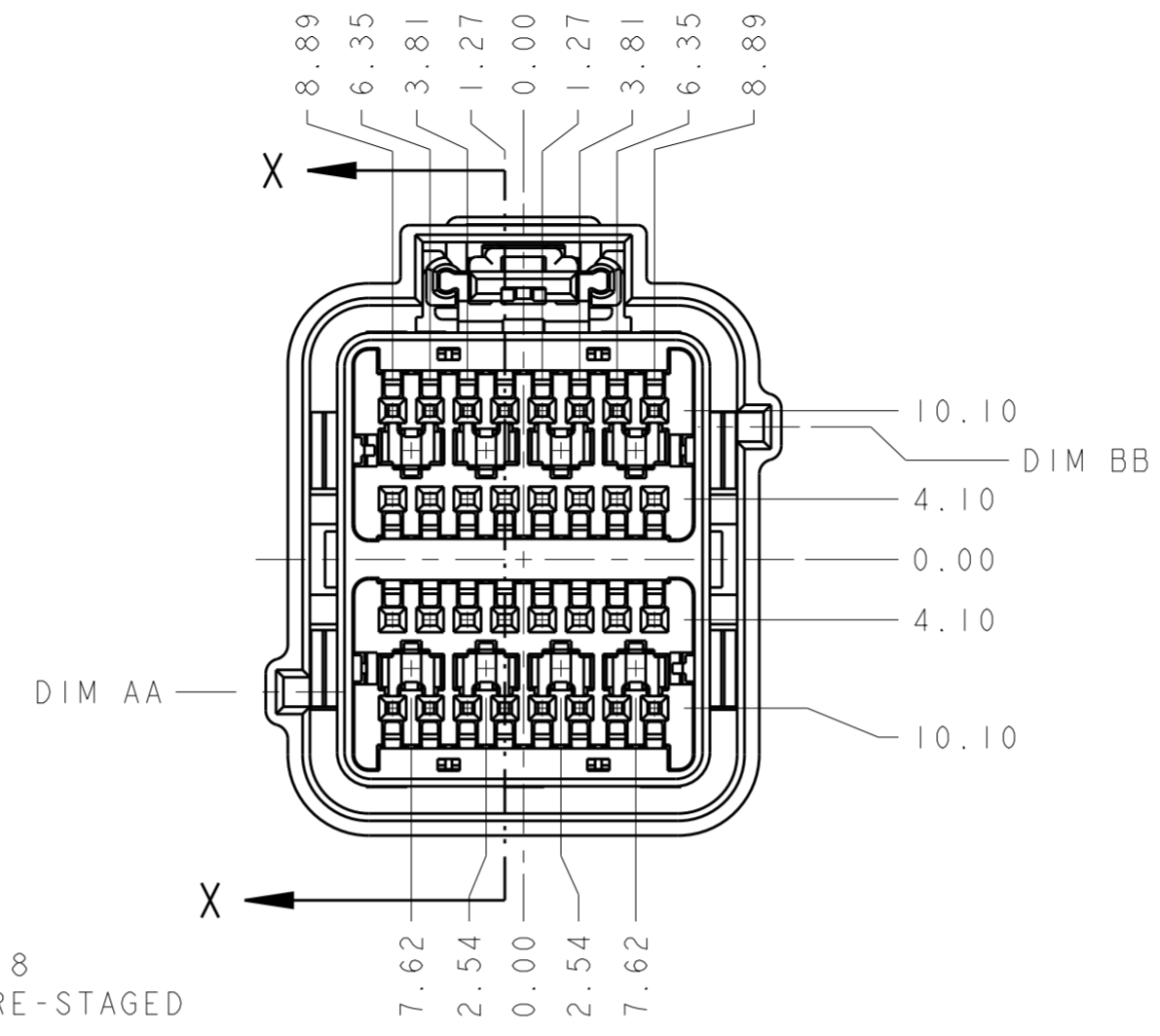
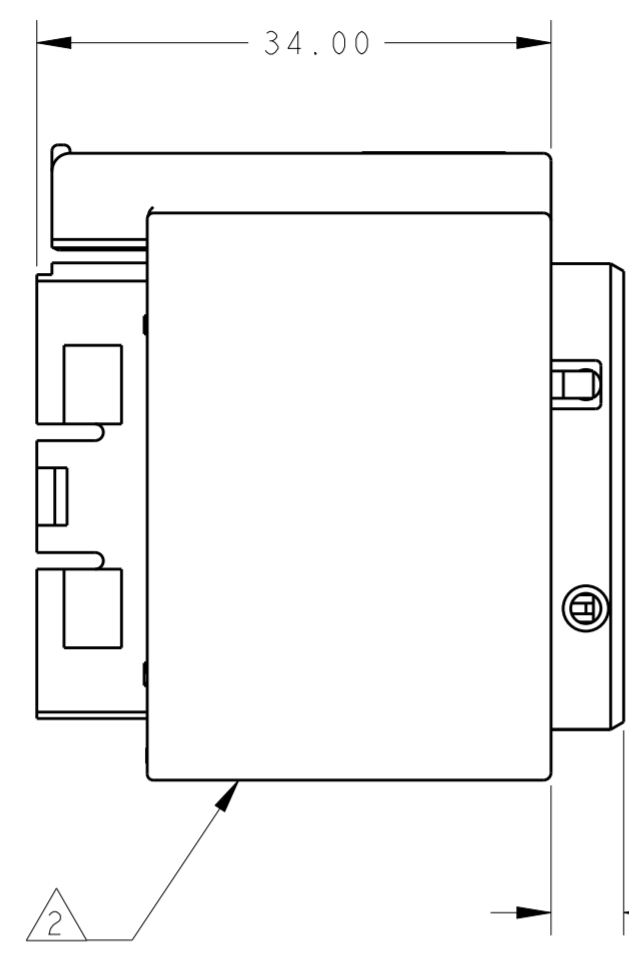
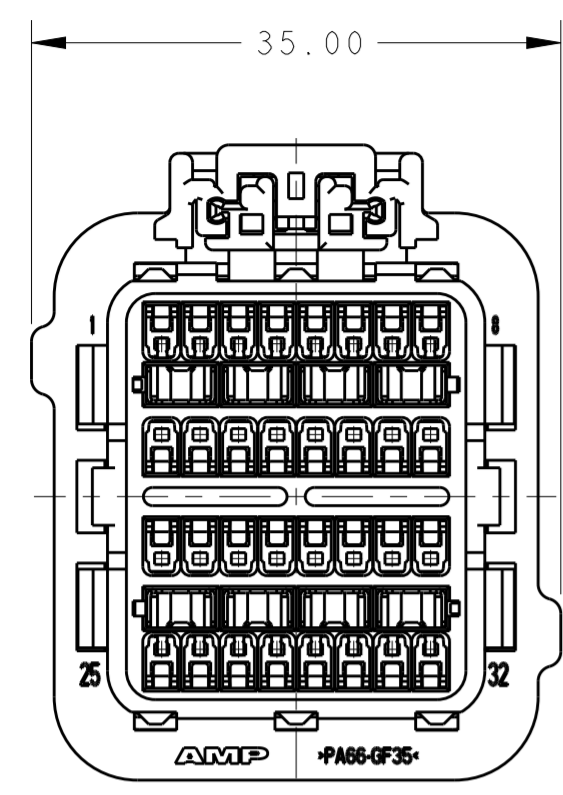
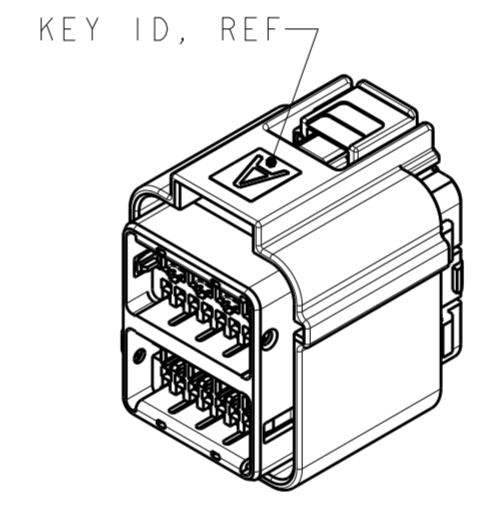
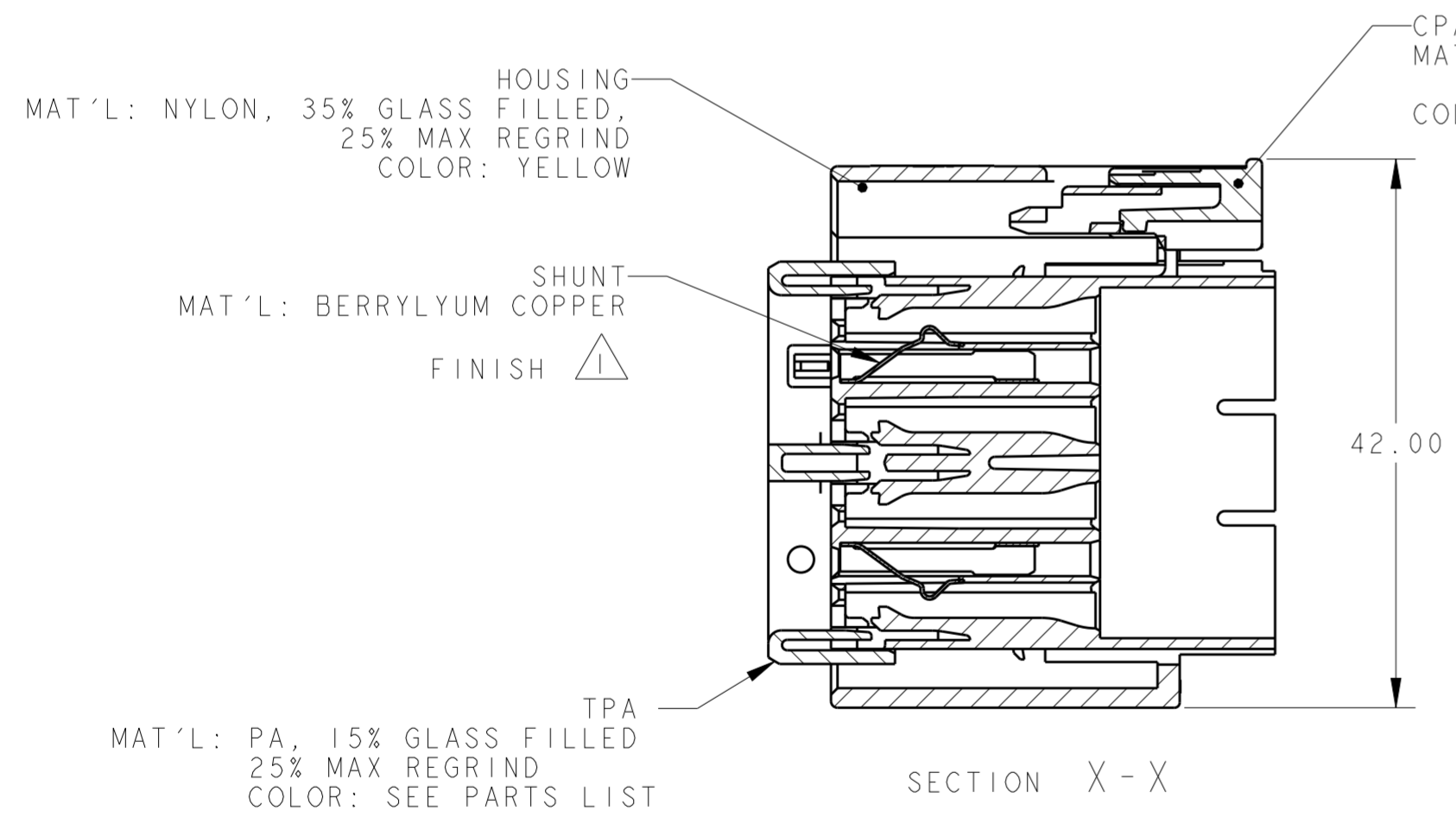


THIS DRAWING IS UNPUBLISHED. RELEASED FOR PUBLICATION
 © COPYRIGHT 20 BY - ALL RIGHTS RESERVED.

LOC	DIST	REVISIONS					
FX	00	P	LTR	DESCRIPTION	DATE	DWN	APVD
		P		REVISED PER ECO-11-016576	19AUG2011	DLD	RL
		PI		REVISED PER ECO-12-018186	16OCT2012	DLD	CJS



- 1. PLATE 0.00038mm MIN THK GOLD ON SURFACE (LOCALIZED) WHICH CONTACTS TERMINAL.
- 2. AMP PART NUMBER AND 4-DIGIT DATE CODE THIS AREA.
- 3. RECOMMEND THE USE OF A STRAIN RELIEF PURCHASED SEPARATELY.
- 4. TERMINAL 1326028 TO BE USED WITH THIS CONNECTOR, PURCHASED SEPARATELY. SEE THE CUSTOMER DRAWING 1326028 FOR PLATING AND WIRE SIZE OPTIONS.
- 4.1 TERMINALS WITH SHUNTED PLATING (REFERENCE TO CUSTOMER DRAWING 1326028 NOTE 2 TO CHOOSE THE CORRECT TERMINAL PART NUMBER) TO BE USED IN CIRCUIT LOCATIONS 1 TO 8 AND 25 TO 32.
- 4.2 TERMINALS WITHOUT SHUNTED PLATING (REFERENCE TO CUSTOMER DRAWING 1326028 NOTE 1 TO CHOOSE THE CORRECT TERMINAL PART NUMBER) TO BE USED IN CIRCUIT LOCATIONS 9 TO 16 AND 17 TO 24.
- 5. REMOVED.
- 6. ALL DIMENSIONS ARE FOR REFERENCE.
- 7. MINIMUM CONNECTOR MIS-MATING FORCE RESISTED BY POLARIZING FEATURES IS 150N.
- 8. PLUG ASSEMBLY HAS NO SHUNTS AND NO PART MARKING. TERMINALS WITHOUT SHUNTED PLATING CAN BE USED IN ALL LOCATIONS (REFERENCE TO CUSTOMER DRAWING 1326028 NOTE 1 TO CHOOSE THE CORRECT TERMINAL PART NUMBER).



7.50	7.50	GREEN	PLUG ASSY, 32 POSN, NO SHUNTS, KEY AI	1-1326018-3
6.00	9.00	BLUE	PLUG ASSY, 32 POSN, NO SHUNTS, KEY B	1-1326018-2
9.00	6.00	RED	PLUG ASSY, 32 POSN, NO SHUNTS, KEY A	1-1326018-1
0.00	3.00	PURPLE	PLUG ASSY, 32 POSN, KEY BI	1326018-4
7.50	7.50	GREEN	PLUG ASSY, 32 POSN, KEY AI	1326018-3
6.00	9.00	BLUE	PLUG ASSY, 32 POSN, KEY B	1326018-2
9.00	6.00	RED	PLUG ASSY, 32 POSN, KEY A	1326018-1
DIM BB	DIM AA	TPA COLOR	DESCRIPTION	PART NUMBER
KEYING DIMENSIONS				

THIS DRAWING IS A CONTROLLED DOCUMENT.

DWN	F. KINSEY	11NOV99	TE Connectivity
CHK	LTL	23NOV99	
APVD	LTL	23NOV99	
PRODUCT SPEC	SAE USCAR-2 8/97 PF 9600 REV B		
APPLICATION SPEC			NAME
WEIGHT			SIZE
CUSTOMER DRAWING	SCALE 2:1		CAGE CODE
	SHEET 1 OF 1		DRAWING NO
	REV PI		RESTRICTED TO

PLUG ASSEMBLY, 32 POSITION, UNSEALED, 0.64mm CONNECTOR

A20779 C-1326018