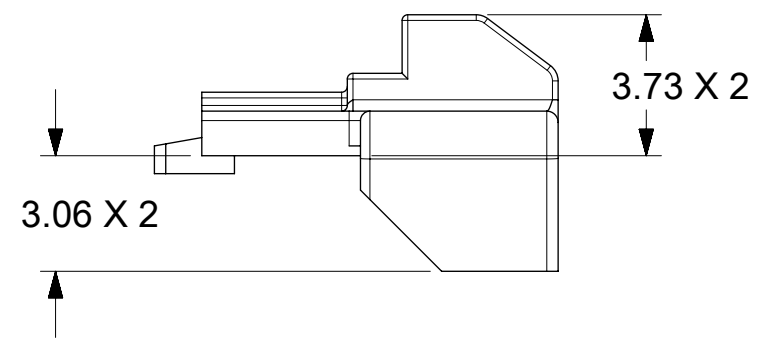
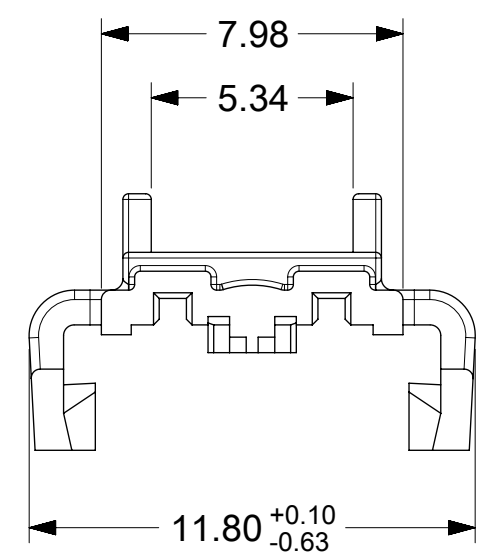
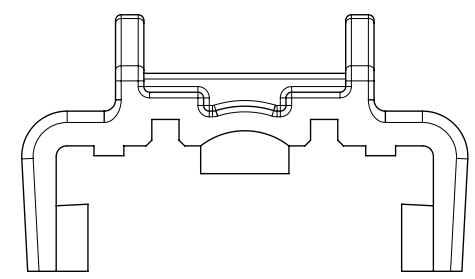
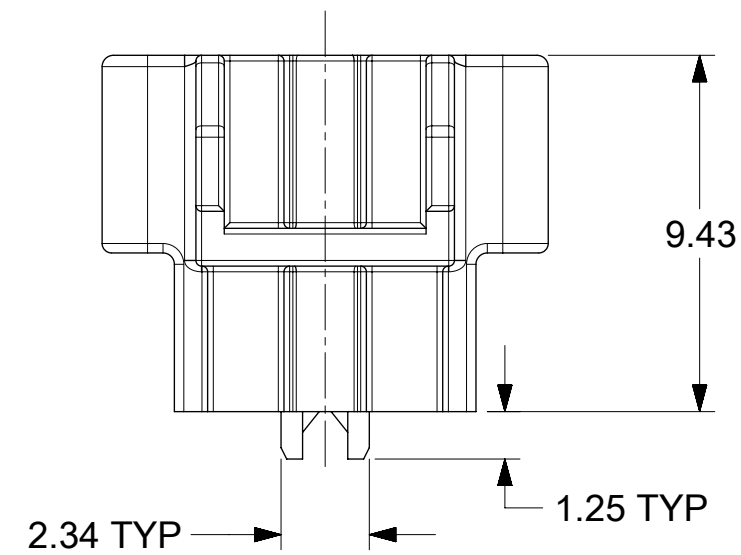
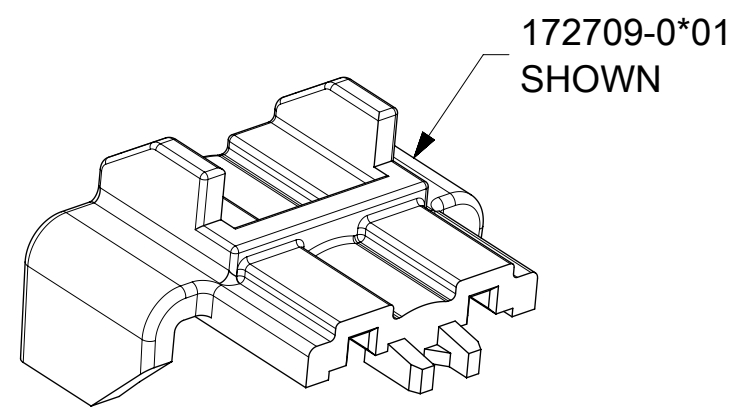

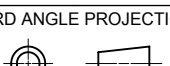


PART NUMBER	CKTS	MATERIAL
172709-0001	1	A
172709-0101	1	B



NOTES:

- MATERIAL:**
'A' = NYLON V-0, LOW HALOGEN, COLOR: NATURAL (WHITE)
'B' = NYLON V-2, GLOW WIRE CAPABLE, COLOR: NATURAL (WHITE)
- FINISH:** NONE
- PRODUCT SPECIFICATION:** PS-172718-0000
APPLICATION SPECIFICATION: AS-172718-0000
- PACKAGING SPECIFICATION:**
PK-172709-0000
REFER TO AS-45499-001 FOR MOISTURIZING NYLON CONNECTOR PARTS.
- THIS TPA TO BE USED WITH MOLEX FRONT HOUSING SERIES 172708, 172762, 172767.
- DIMENSIONS GIVEN ACROSS CENTERLINES ARE TO BE SYMMETRICAL ABOUT THOSE CENTERLINES WITHIN HALF THE TOTAL TOLERANCE.
- THIS PART CONFORMS TO CLASS 'B' REQUIREMENTS OF COSMETIC SPECIFICATION PS-45499-002.

THIS DRAWING CONTAINS INFORMATION THAT IS PROPRIETARY TO MOLEX ELECTRONIC TECHNOLOGIES, LLC AND SHOULD NOT BE USED WITHOUT WRITTEN PERMISSION									
DIMENSION UNITS	SCALE	CURRENT REV DESC: P/N 2-12 CKT REMOVED			 1 CKT TPA MINI-FIT TPA2 PRODUCT CUSTOMER DRAWING				
MM	5:1								
GENERAL TOLERANCES (UNLESS SPECIFIED)		EC NO: 609867			DOCUMENT NUMBER: SD-172709-0000 DOC TYPE: PSD DOC PART: 000 REVISION: E1				
ANGULAR TOL	± 0.5°	DRWN: SGANGADHARDO 2019/01/03							
4 PLACES	±	CHK'D: SGANGADHARDO 2019/01/03			MATERIAL NUMBER: SEE TABLE CUSTOMER: GENERAL MARKET SHEET NUMBER: 1 OF 1				
3 PLACES	±	APPR: ISHWARG 2019/01/04							
2 PLACES	± 0.13	INITIAL REVISION:			DRAFT WHERE APPLICABLE MUST REMAIN WITHIN DIMENSIONS				
1 PLACE	± 0.2	DRWN: TGREGORI 2014/09/10							
0 PLACES	±	APPR: RHODGE 2014/12/04			THIRD ANGLE PROJECTION 				
		DRAWING SERIES		C-SIZE 172709					

DOCUMENT STATUS	P1	RELEASE DATE	2019/01/04	12:51:24
-----------------	----	--------------	------------	----------