

4

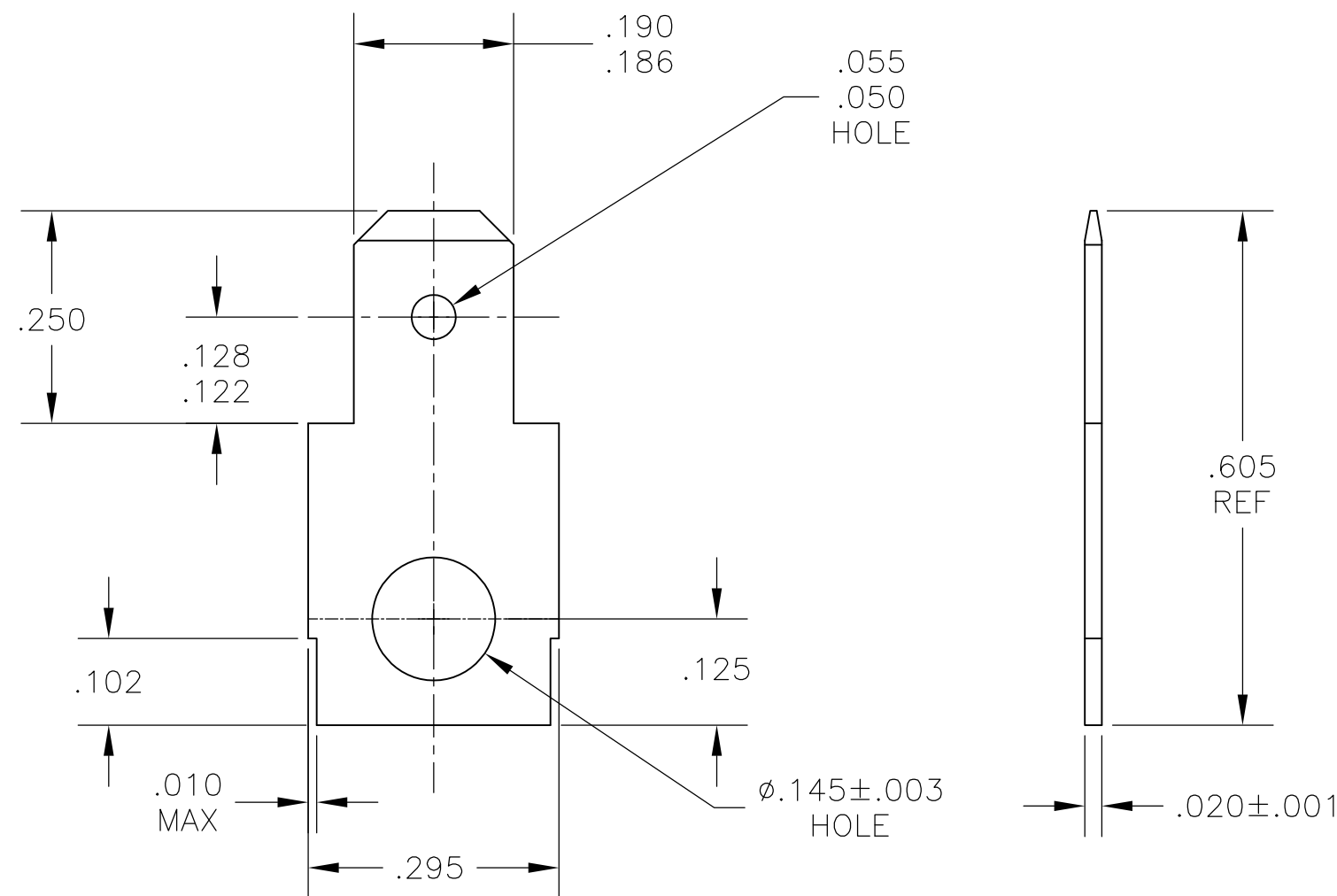
3

2

1

THIS DRAWING IS UNPUBLISHED. RELEASED FOR PUBLICATION
 © COPYRIGHT - By - ALL RIGHTS RESERVED.

LOC		DIST		REVISIONS			
P	LTR	DESCRIPTION		DATE	DWN	APVD	
	C	REVISED PER ECR-13-011489		11DEC2013	KH	PD	



1 SUPPLIED IN LOOSE PIECE.

1742041-1
 PART NUMBER

THIS DRAWING IS A CONTROLLED DOCUMENT.		DWN	jr_ruth	23DEC2003	TE Connectivity			
DIMENSIONS: INCHES		CHK	KRISTY YI	23DEC03				
		TOLERANCES UNLESS OTHERWISE SPECIFIED:		APVD	NAME			
0 PLC ± -		1 PLC ± -		KRISTY YI	TAB, FASTON, .187 SERIES			
2 PLC ± -		3 PLC ± .005		23DEC03	PRODUCT SPEC			
4 PLC ± -		ANGLES ± -		—	APPLICATION SPEC			
MATERIAL		FINISH		WEIGHT	SIZE	CAGE CODE	DRAWING NO	RESTRICTED TO
BRASS		TIN		—	A3	00779	C-1742041	—
CUSTOMER DRAWING				SCALE	5:1	SHEET	1 OF 1	REV
								C