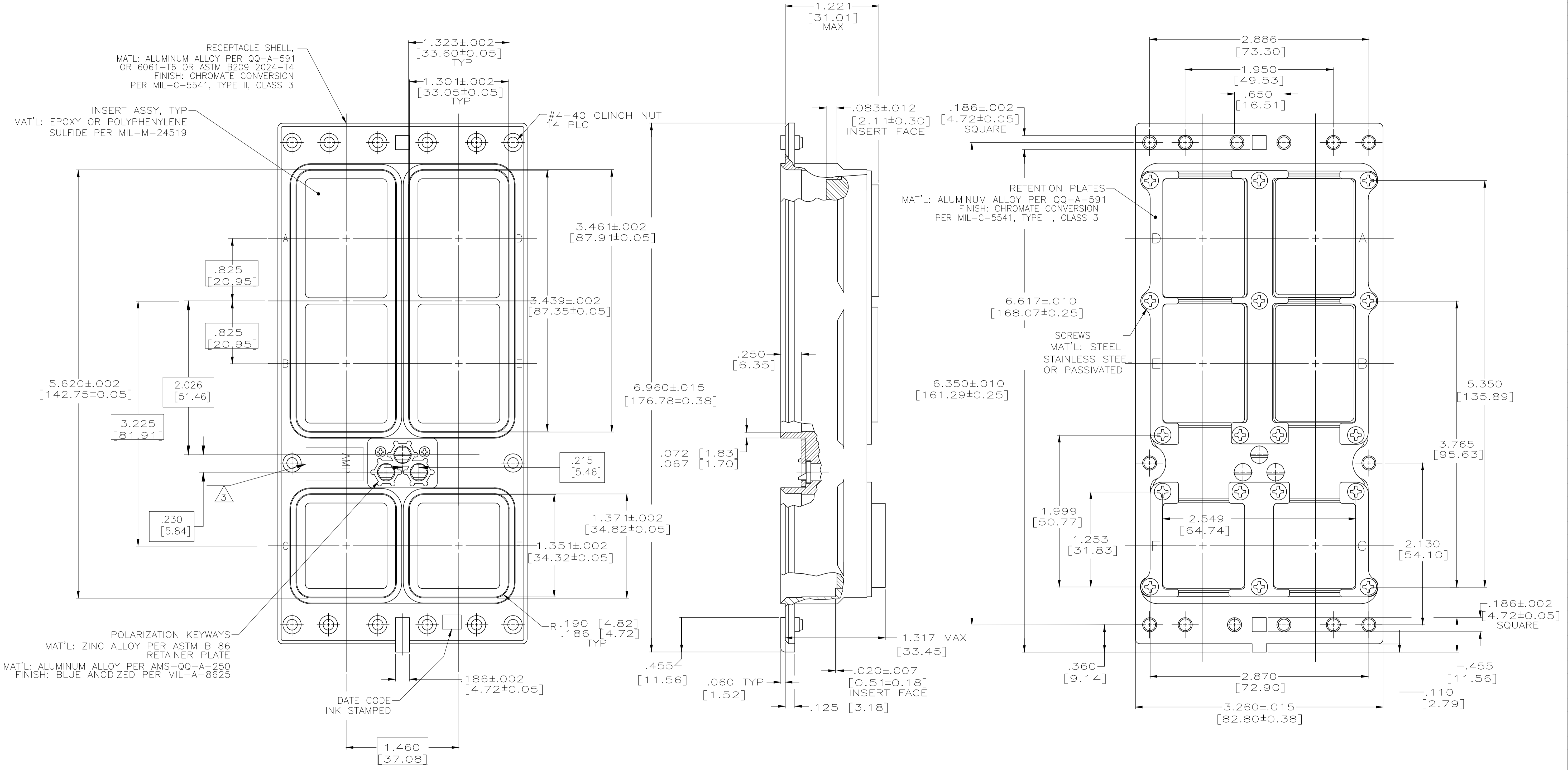
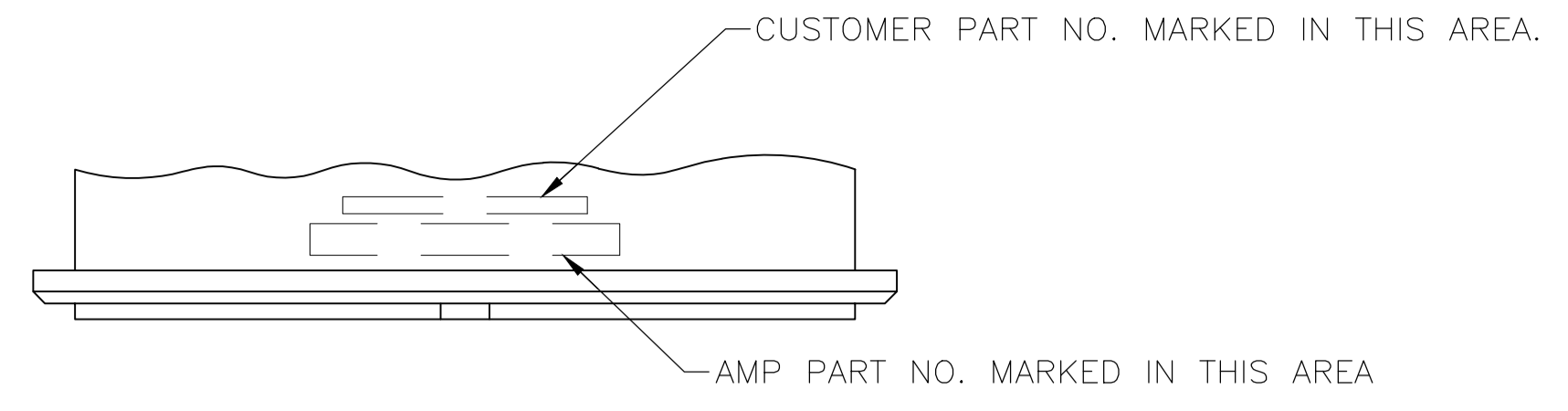


REVISIONS				
P	LTR	DESCRIPTION	DATE	BY
D		REVISED PER ECO-17-018523	19JAN2018	PHM CT



1. POLARIZING KEYS ARE ASSEMBLED IN POSITION "01".
2. CONTACTS ARE NOT INCLUDED WITH THIS CONNECTOR.
3. TE LOGO APPEARS IN THIS APPROXIMATE LOCATION ON MACHINED FROM BILLET SHELLS.
4. ASSEMBLY SHOWN WITH DIE CAST SHELL. ASSEMBLIES WITH MACHINED SHELLS MAY VARY SLIGHTLY IN APPEARANCE.

73030SOCN-774422-4-T		211612-1	
CUSTOMER PART NO.		PART NUMBER	
THIS DRAWING IS A CONTROLLED DOCUMENT. DIMENSIONS: INCHES TOLERANCES UNLESS OTHERWISE SPECIFIED: 0 PLC ± - 1 PLC ± - 2 PLC ± - 3 PLC ± .005 [0.13] 4 PLC ± - ANGLES ± - FINISH SEE CALLOUTS		DTN: C.C.THOMAS 12-15-00 CHK: S.GLATFELTER 12-15-00 APVD: S.GLATFELTER 12-15-00 NAME: RCP ASSY, UNSEALED, SIZE 3, ARINC 600 SIZE: A1 CAGE CODE: 00779 DRAWING NO: 211612 WEIGHT: - RESTRICTED TO: - CUSTOMER DRAWING	
MATERIAL: SEE CALLOUTS FINISH: SEE CALLOUTS		SCALE: 1:1 SHEET: 1 OF 1 REV: D	