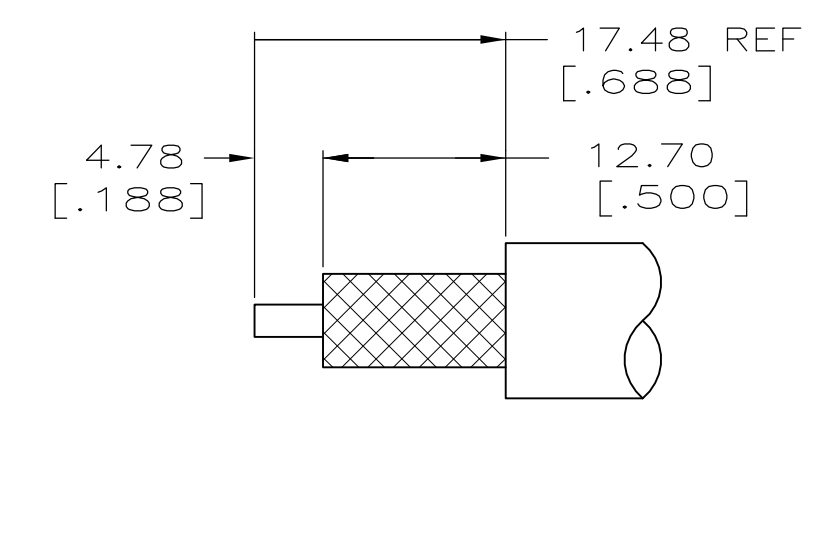
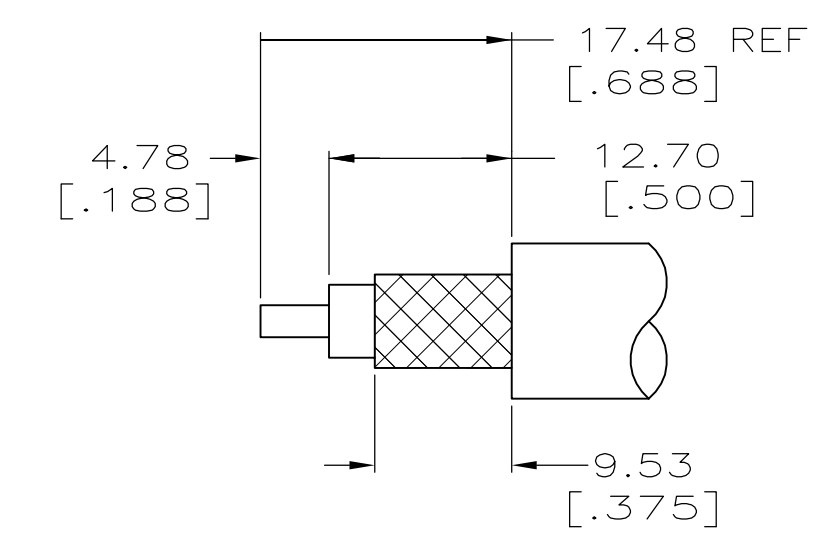
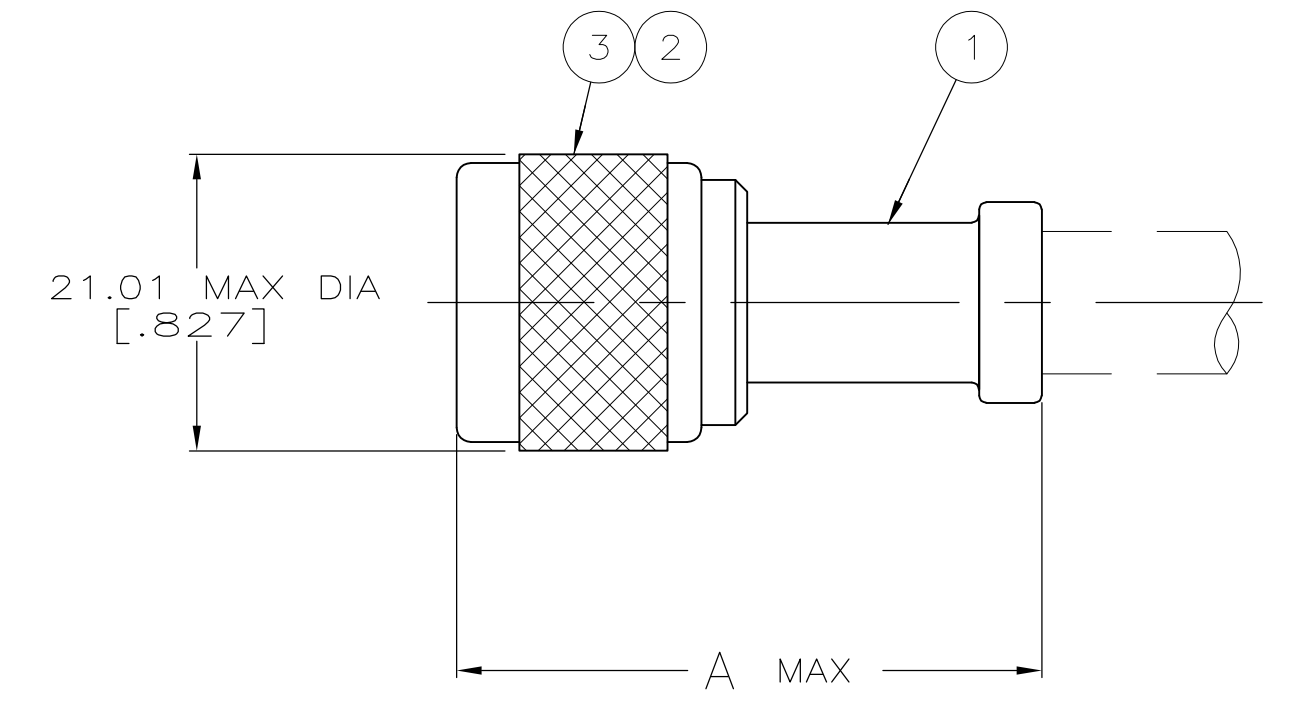


LOC	DIST	REVISIONS					
AJ	16	P	LTR	DESCRIPTION	DATE	DWN	APVD
		S2		REVISED PER ECO-12-008922	06SEP12	MGM	WM

1. SEE I.S. SHEET 2028-1



VIEW X VIEW Y
RECOMMENDED STRIP LENGTH

	TBD	47.22 [1.859]	Y	BXS 7004-501	7-225092-6 AMP	225612-2	51695-2	225081-7	7-225092-6
OBSOLETE	220015-1	37.08 [1.460]	X	TIME AA-5888	7-2250902-5 AMP	225560-3	2-51695-2	225901-3	7-225092-5
OBSOLETE	220015-1	46.02 [1.812]	X	TIME AA-5886	7-225092-4 AMP	1-331987-0	1-51695-2	225081-1	7-225092-4
OBSOLETE	220015-1	46.81 [1.843]	X	TIME AA-5887	7-225092-3 AMP	225612-2	4-51695-0	225081-6	7-225092-3
SUPERSEDED BY 225092-2	-	-	-	-	-	-	-	-	7-225092-2
SUPERSEDED BY 225092-1	-	-	-	-	-	-	-	-	7-225092-1
OBSOLETE	-	-	-	-	-	-	-	-	1-225092-7
OBSOLETE	-	-	-	-	-	-	-	-	1-225092-6
OBSOLETE	-	-	-	-	-	-	-	-	1-225092-5
OBSOLETE	220015-1	47.22 [1.859]	Y	RG-214/U	10688470 AMP	331987	51695-2	225081-1	1-225092-2
	220015-1	47.22 [1.859]	Y	RG-393/U	1-225092-1 AMP	9-225490-1	2-51695-3	225081-1	1-225092-1
	220015-3	46.43 [1.828]	X	MICRODOT 250-4172, 250-4208	1-225092-0 AMP	225612-2	2-51695-1	225901-1	1-225092-0
	220015-3	46.43 [1.828]	X	MICRODOT 250-4171, 250-4207	225092-9 AMP	225612-1	2-51695-1	225901-2	225092-9
SUPERSEDED BY 414160-3	220015-1	47.22 [1.859]	Y	RG-115A/U	225092-8 AMP	1-331987-3	2-51695-1	225081-2	225092-8
	220015-1	47.22 [1.859]	Y	RG-225/U	00779M39012/01B0012 AMP & DATE CODE (YY-WW)	331987	51695-8	225081-1	225092-7
OBSOLETE	-	-	-	-	-	-	-	-	225092-6
OBSOLETE	-	-	-	-	-	-	-	-	225092-5
OBSOLETE	-	-	-	-	-	-	-	-	225092-4
	220015-1	47.22 [1.859]	X	RG-213/U	00779M39012/01B0007 AMP & DATE CODE (YY-WW)	1-331987-3	51695-2	225081-1	225092-2
	220015-1	47.22 [1.859]	Y	RG-214/U	00779M39012/01B0008 AMP & DATE CODE (YY-WW)	331987	51695-2	225081-1	225092-1
CRIMP TOOL	A MAX	STRIP LENGTH VIEW	CABLE SIZE	STAMPING	③ FERRULE QTY=1	② CONTACT QTY=1	① PLUG ASSY QTY=1	PART NUMBER	

THIS DRAWING IS A CONTROLLED DOCUMENT.

DIMENSIONS: MM(INCHES)

TOLERANCES UNLESS OTHERWISE SPECIFIED:

0 PLC	± .01
1 PLC	± .01
2 PLC	± .01
3 PLC	± .01
4 PLC	± 0.41 [016]
ANGLES	± .5

MATERIAL: - FINISH: -

APVD: M. SNEED 2-22-91
CHK: R. HENRY 2-22-91
NAME: PLUG, WEATHERPROOF, SERIES N
PRODUCT SPEC: 108-12019
APPLICATION SPEC: -
WEIGHT: -
SCALE: 2:1 SHEET 1 OF 1 REV S2

STE TE Connectivity

CUSTOMER DRAWING