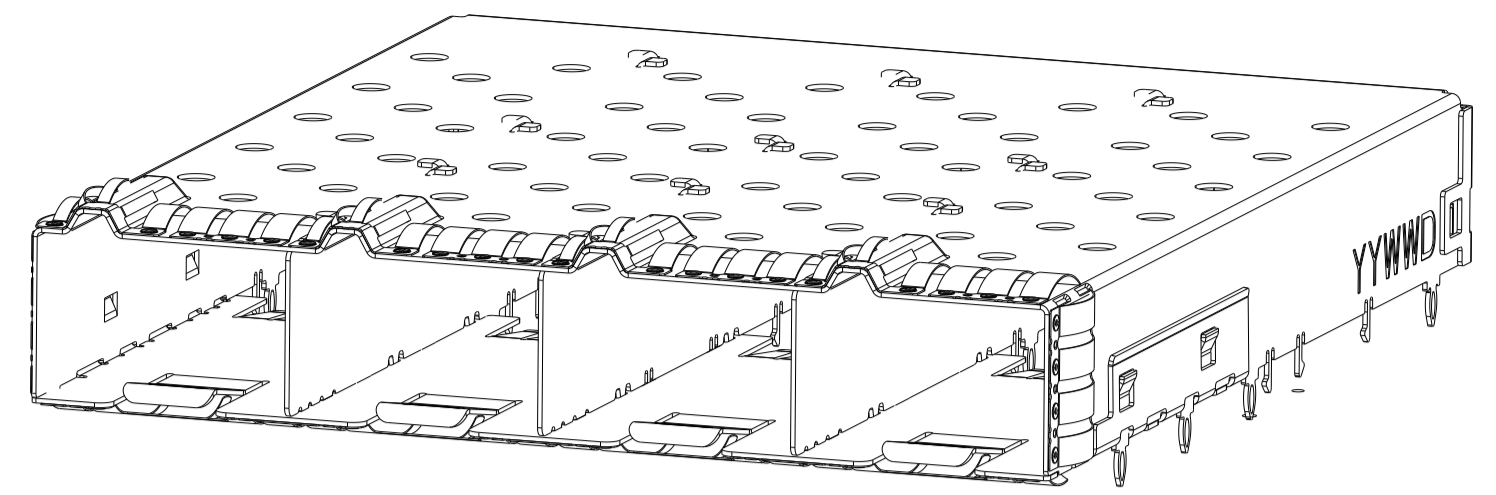
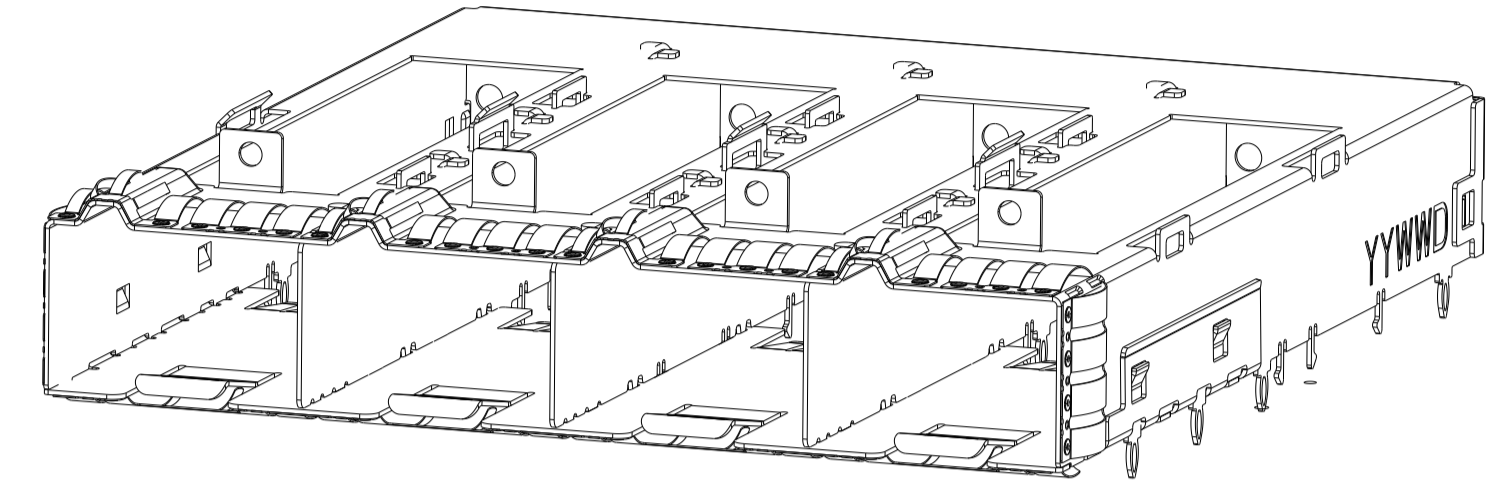


LOC	DIST	REVISIONS			
GP	00	REV	DATE	BY	APPV
A		PRODUCTION RELEASE	15JAN2021	VL	SZH
A1		ADDED NEW DASH -4	21APR2021	AJ	SZ
A2		ADDED NEW DASH 2-1	10NOV2021	AJ	SZ

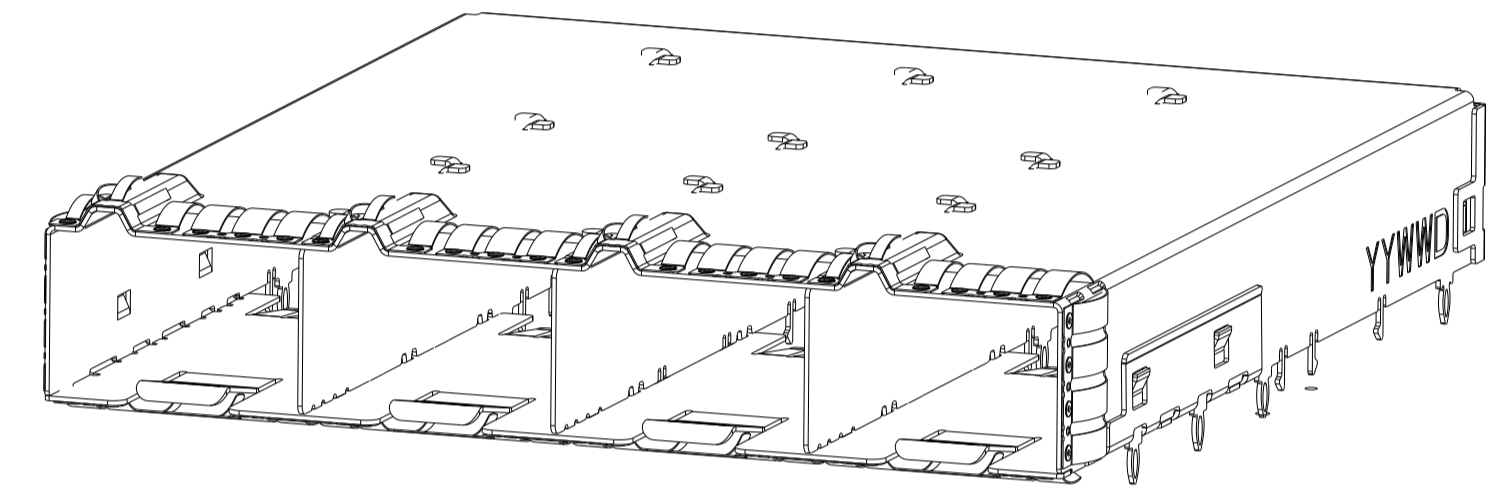
2344508-1
STANDARD VERSION
SCALE 5:2



1-2344508-1
WITH LP TAP/ HS OPENING
SCALE 5:2

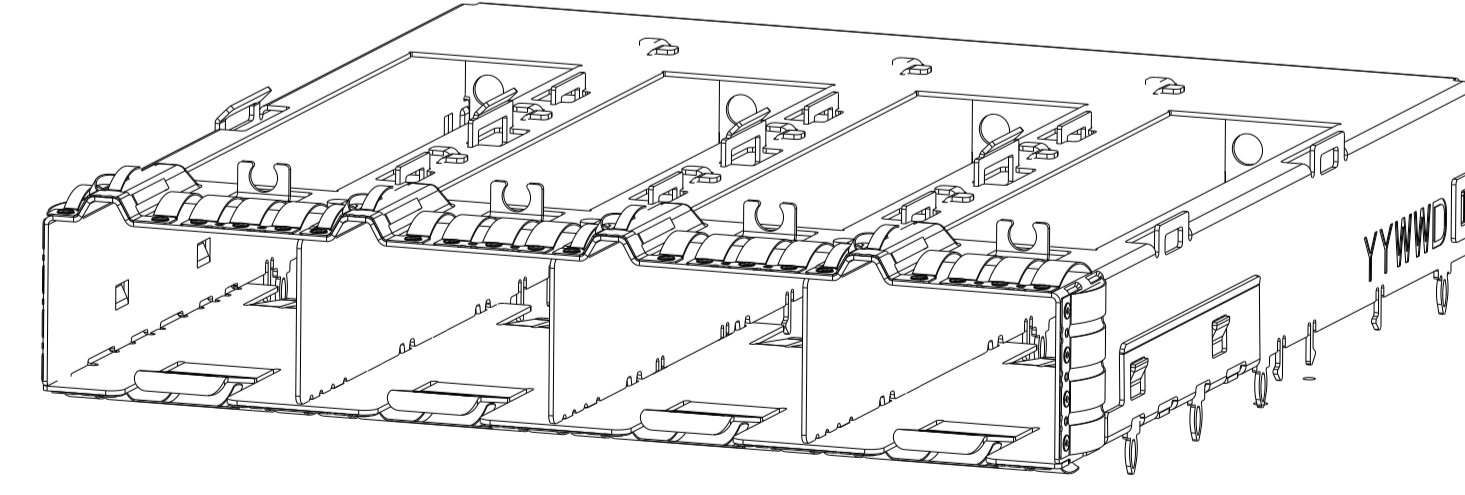
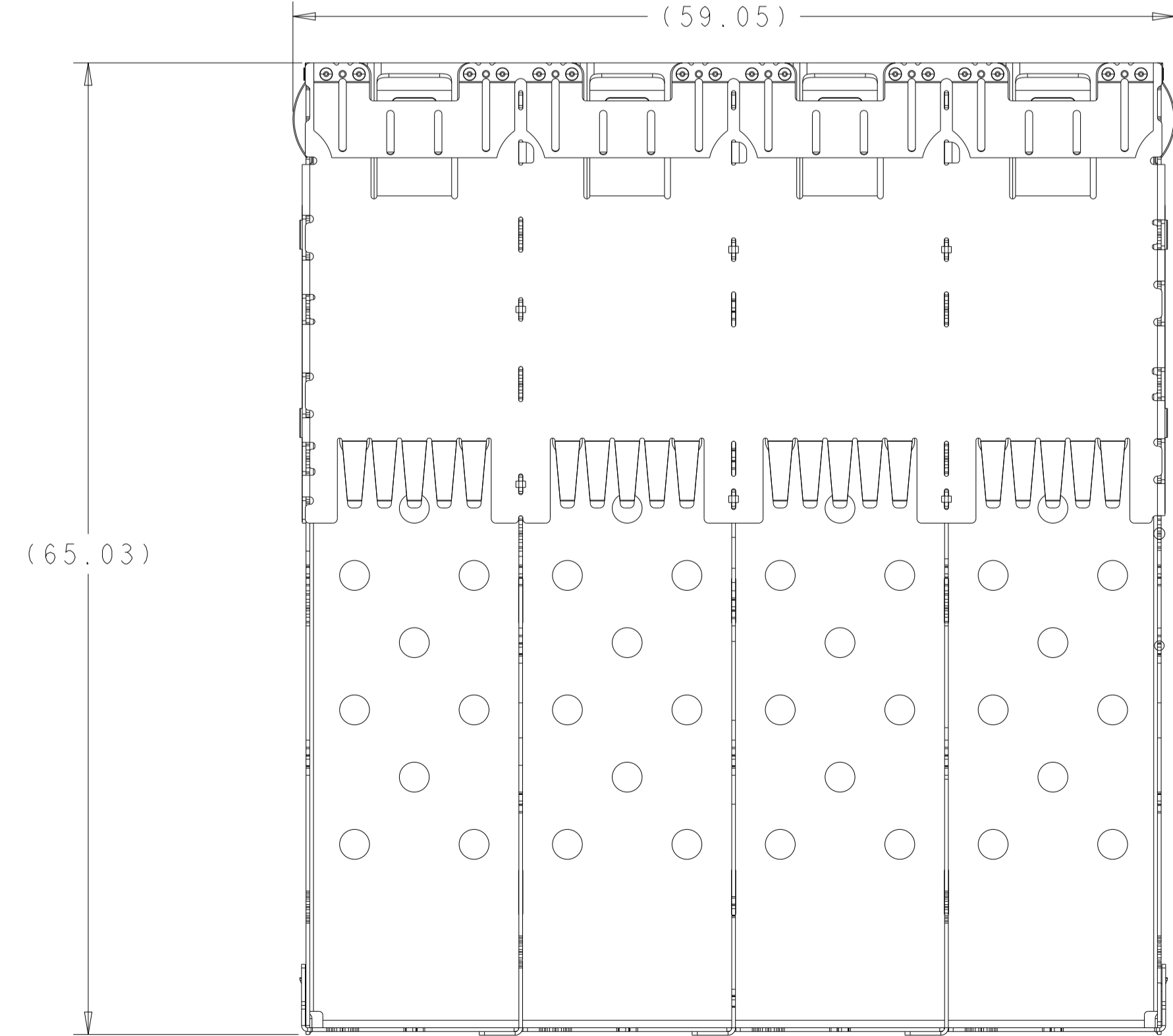
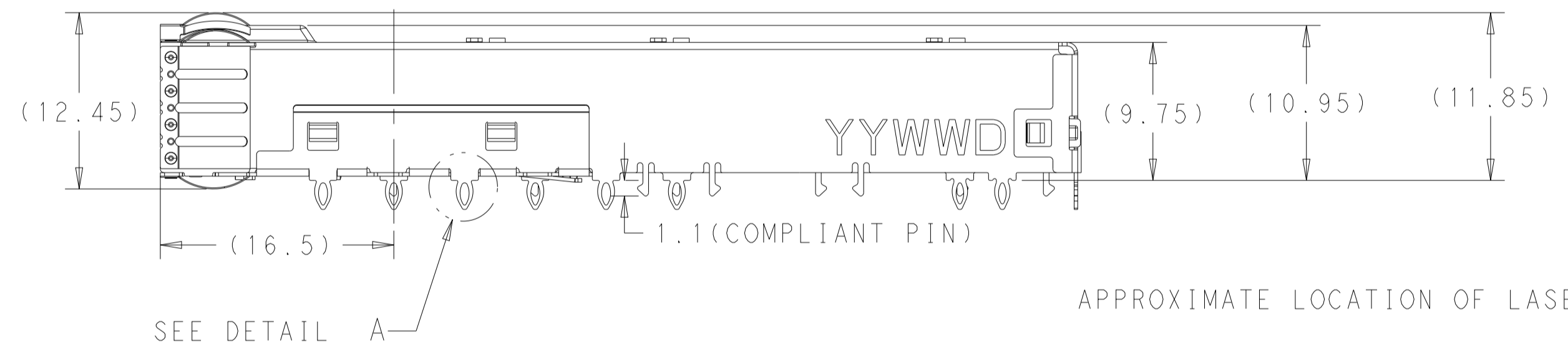
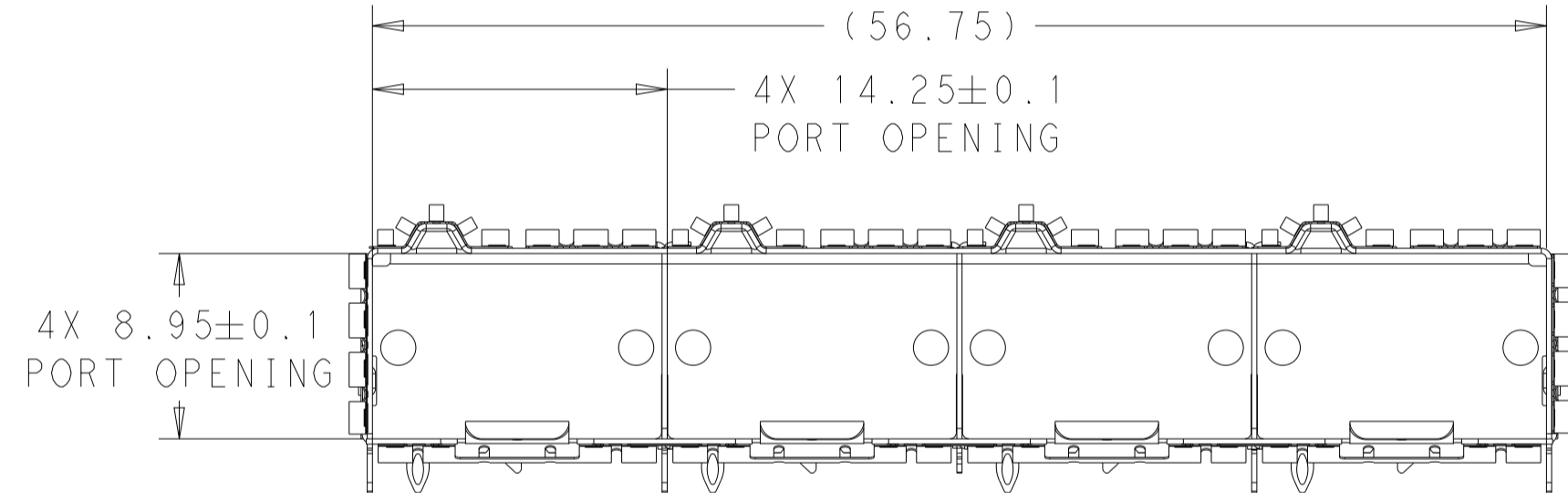
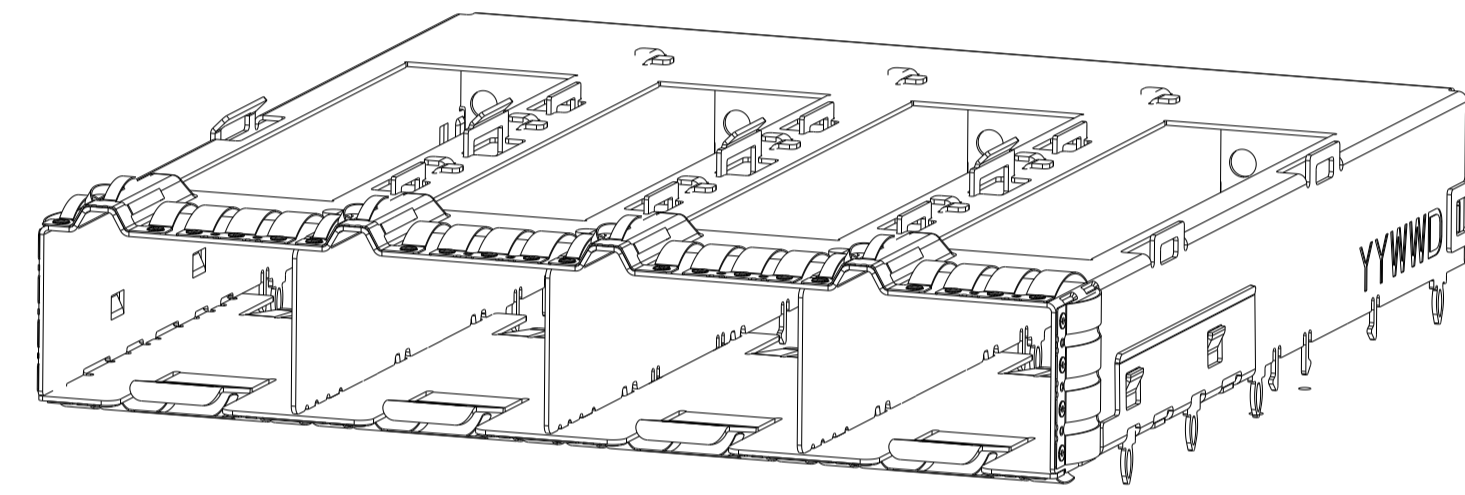


2344508-3
WITHOUT TOP VENT HOLE
SCALE 5:2

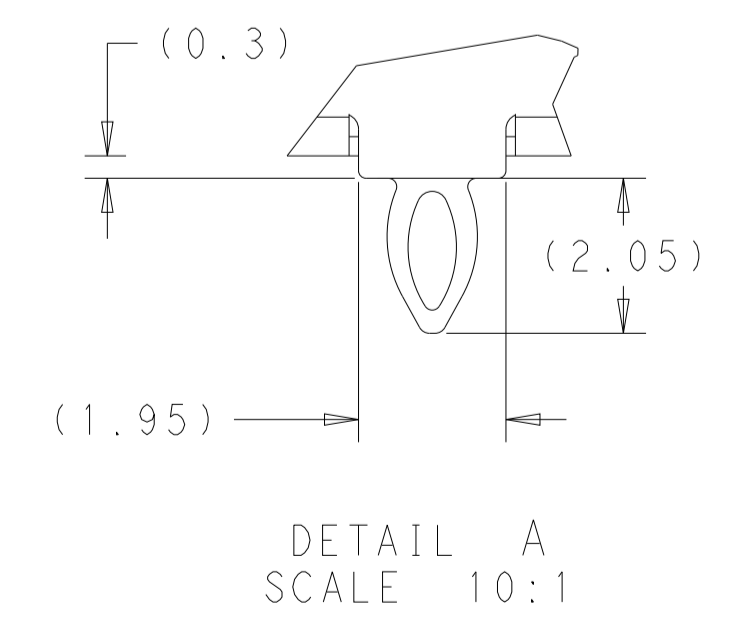


- CAGE: 0.25mm THICK STAINLESS STEEL
EMI SPRINGS: COPPER ALLOY
 - FINISH:
SPRINGS: 0.8um NICKEL. NON-PLATED EDGES PERMISSIBLE.
 - MATES WITH SFP-DD MSA COMPLIANT TRANSCEIVERS.
 - INTERPRETATION OF DATUM REFERENCE FRAME IN ACCORDANCE WITH SECT 4.4.1.1 OF ASME Y14.5M-1994.
 - MINIMUM PC BOARD THICKNESS:
SINGLE SIDED = 1.57mm
DOUBLE SIDED = 2.20mm
- △6 DATUM AND BASIC DIMENSION ESTABLISHED BY CUSTOMER.
- △7 REFERENCE APPLICATION SPEC. 114-60027, HOLE A, FOR RECOMMENDED DRILL HOLE DIAMETER AND PLATING THICKNESS.
- △8 REFERENCE APPLICATION SPEC. 114-60027, HOLE B, FOR RECOMMENDED DRILL HOLE DIAMETER AND PLATING THICKNESS.
- △9 HOLE PATTERN REPEATS FOR EACH PORT. SPACING BETWEEN PORTS IS 14.25mm.
10. DATUM -A- IS TOP SURFACE OF THE HOST BOARD.

2344508-4
WITH HS OPENING
SCALE 5:2



2-2344508-1
WITH LP BRACKET AND HS OPENING
SCALE 5:2



DETAIL A
SCALE 10:1

W/HS OPENING	2344508-4
WITHOUT TOP VENT HOLE	2344508-3
W/ LP BRACKET AND HS OPENING	2-2344508-1
W/ LP TAB AND HS OPENING	1-2344508-1
STANDARD	2344508-1
DESCRIPTION	PART NUMBER

THIS DRAWING IS A CONTROLLED DOCUMENT.

OWN: VINDY LIU 10OCT2018
CHK: SEAN HAN 10OCT2018
APPV:

TE Connectivity

NAME: SFPDD 1X4 CAGE ASSEMBLY PRESS-FIT, EXTERNAL EMI SPRINGS

PRODUCT SPEC: 108-60128
APPLICATION SPEC: 114-60027

SIZE: A1
CAGE CODE: 00779
DRAWING NO: 2344508

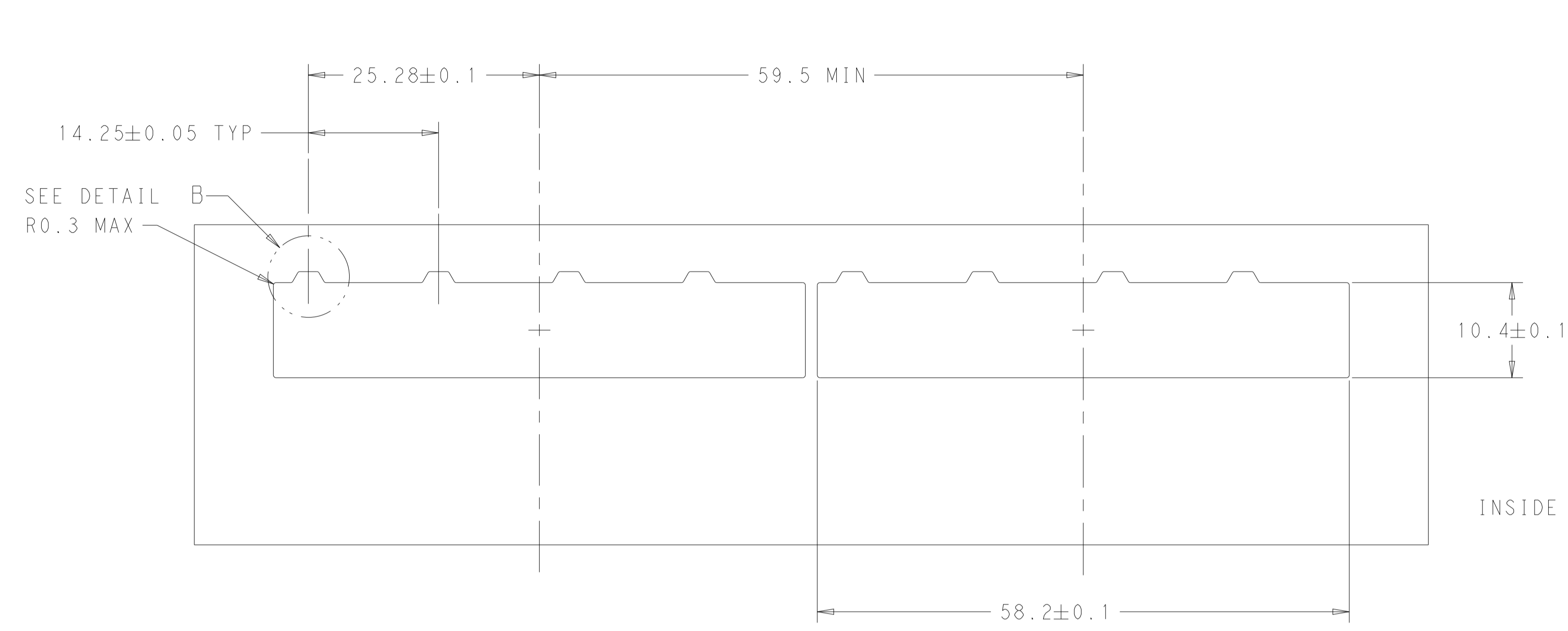
RESTRICTED TO: -

WEIGHT: -
MATERIAL: -
FINISH: -

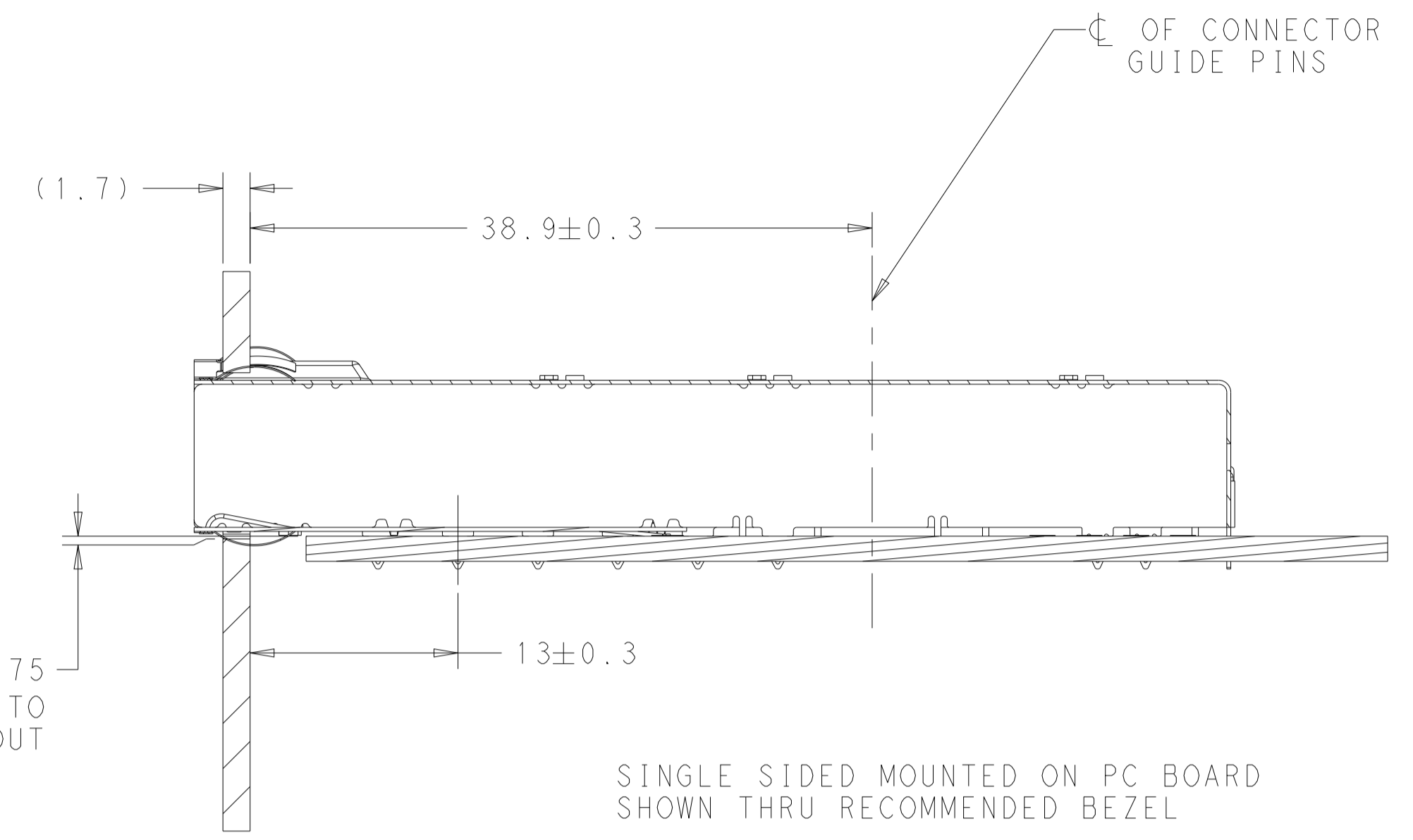
CUSTOMER DRAWING

SCALE: 1:1 SHEET 1 OF 4 REV: A2

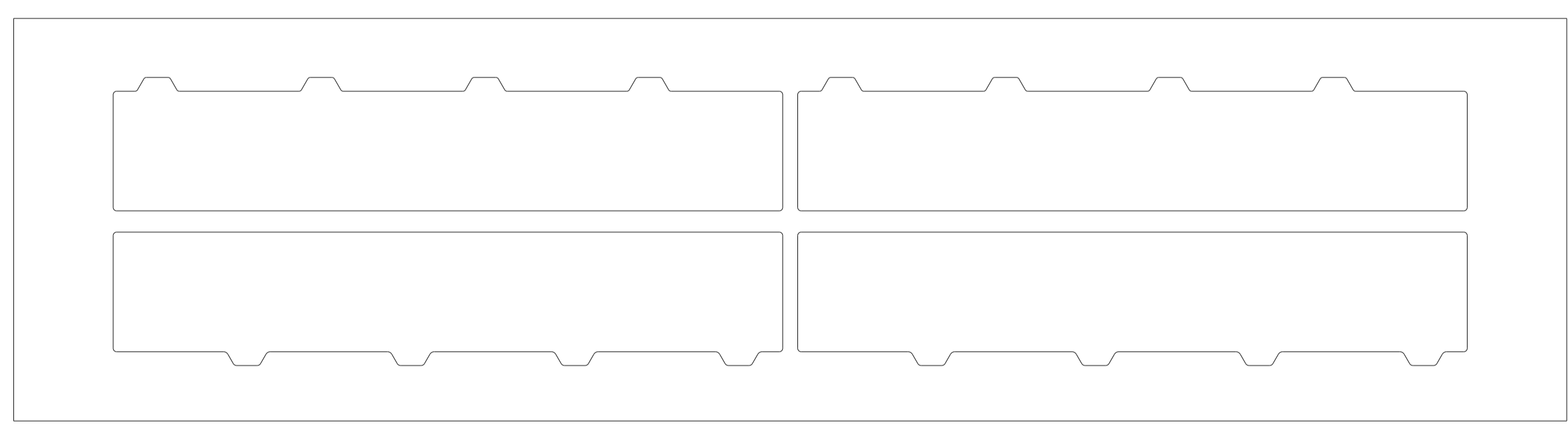
LOC	DIST	REVISIONS					
GP	00	P	LTN	DESCRIPTION	DATE	DMN	APVD
		-		SEE SHEET 1	-	-	-



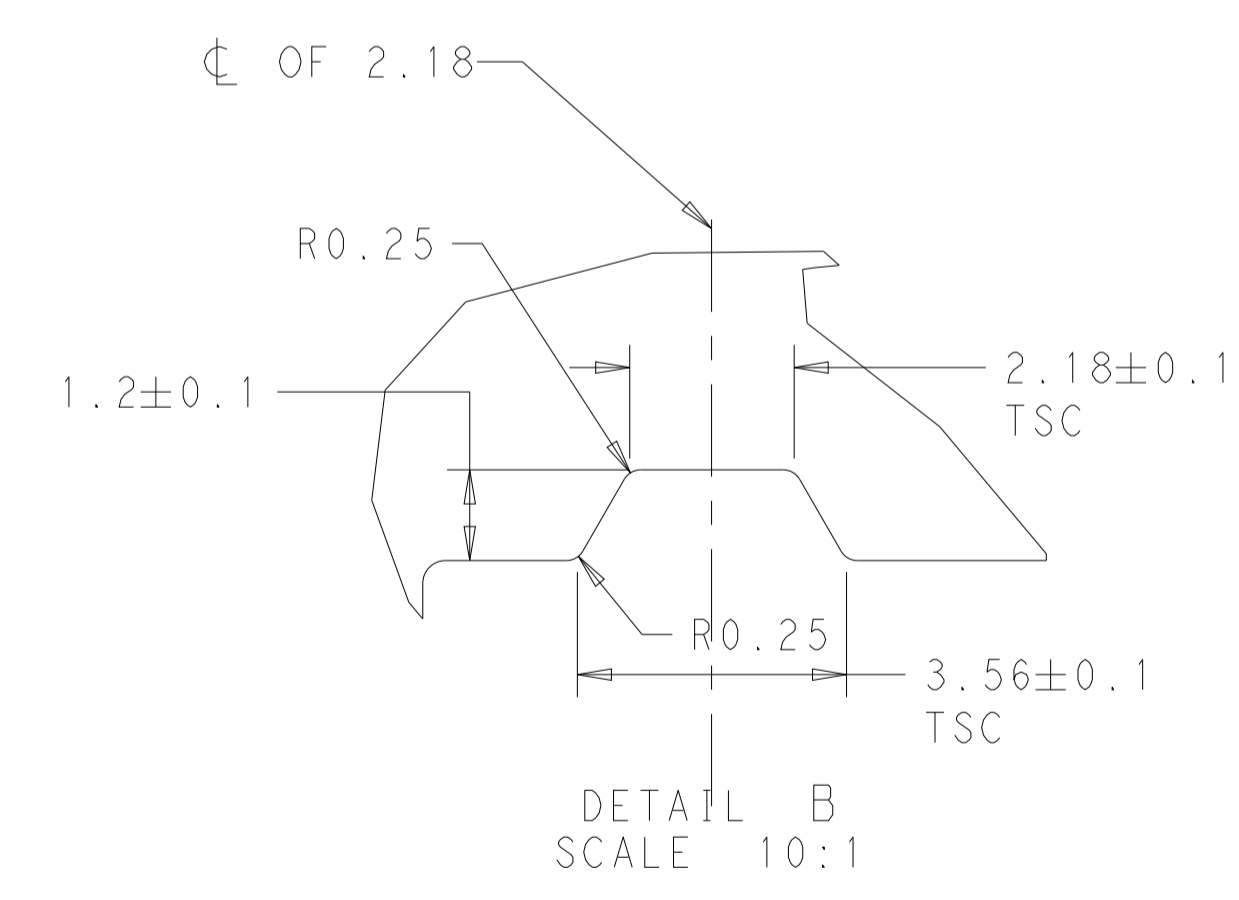
RECOMMENDED BEZEL CUT-OUT
SINGLE SIDED APPLICATIONS
SCALE 5:2



SINGLE SIDED MOUNTED ON PC BOARD
SHOWN THRU RECOMMENDED BEZEL



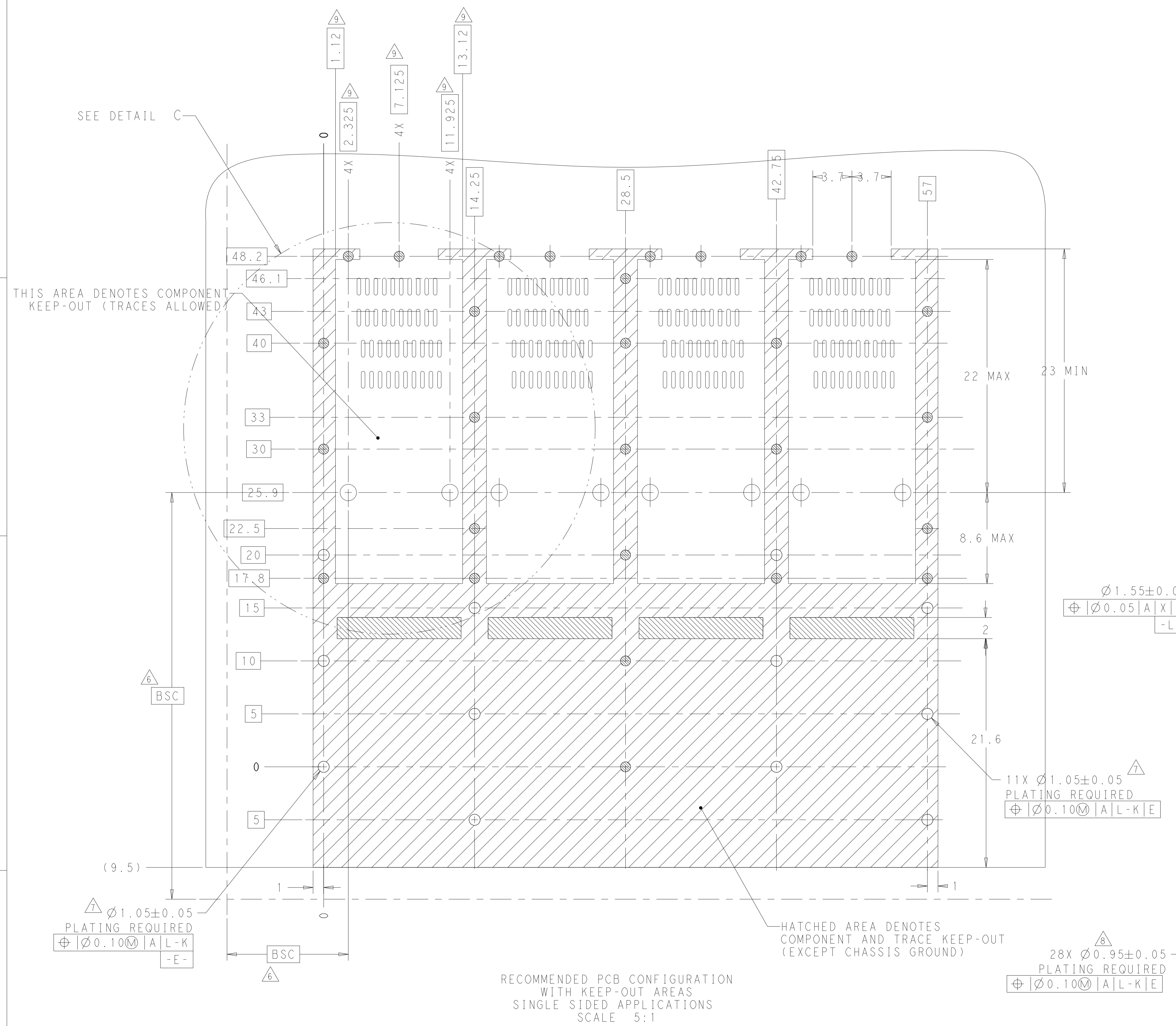
RECOMMENDED BEZEL CUT-OUT
BELLY TO BELLY APPLICATIONS
SCALE 5:2



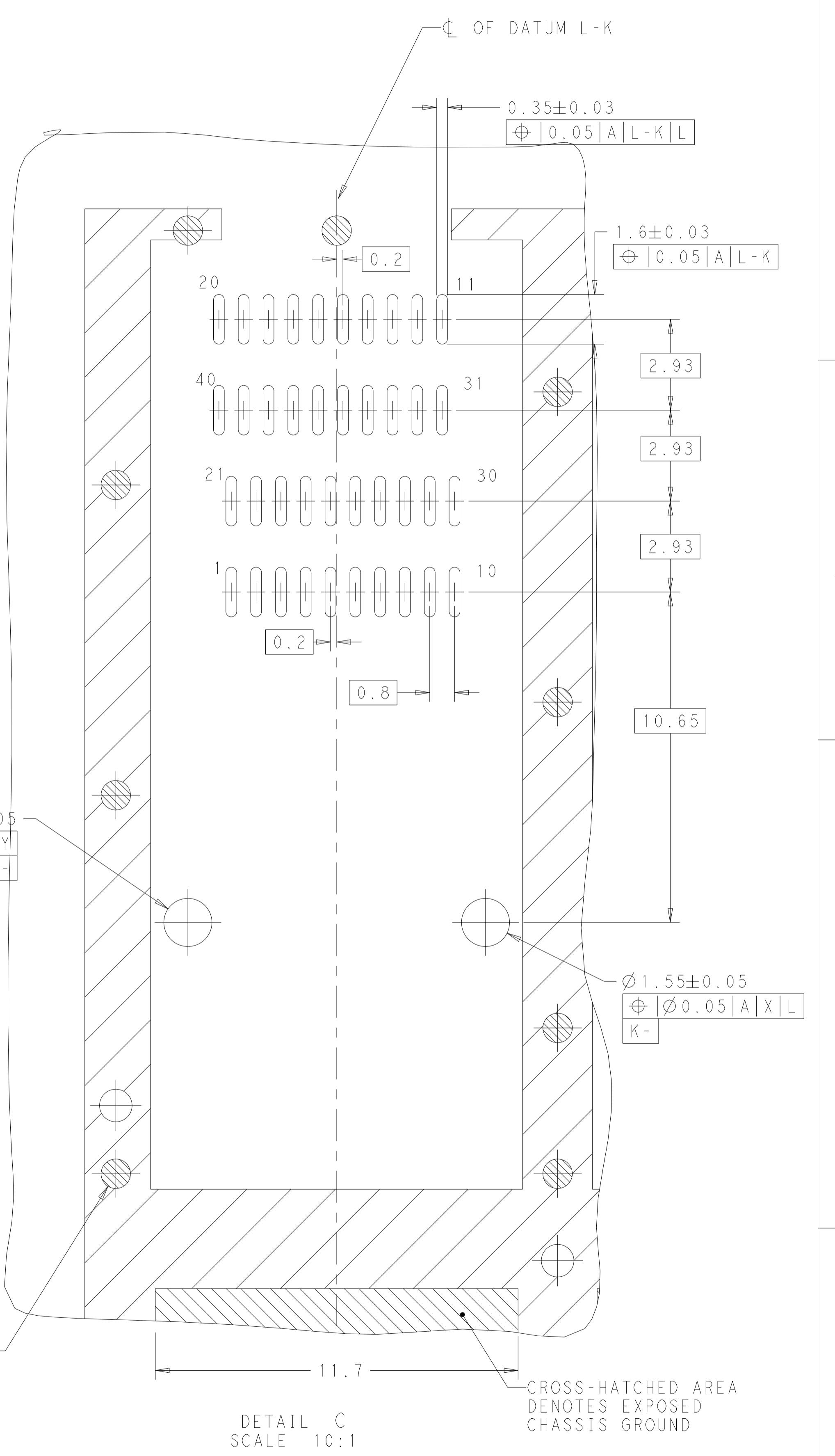
DETAIL B
SCALE 10:1

THIS DRAWING IS A CONTROLLED DOCUMENT.		DMN VINDY LIU 10OCT2018	
		CHK SEAN HAN 10OCT2018	
DIMENSIONS:	TOLERANCES UNLESS OTHERWISE SPECIFIED:	APVD	NAME
mm	0 PLC ±0.25	PRODUCT SPEC	SFPDD 1X4 CAGE ASSEMBLY
	1 PLC ±0.25	108-60128	PRESS-FIT, EXTERNAL EMI SPRINGS
	2 PLC ±0.20	APPLICATION SPEC	
	3 PLC ±0.20	SIZE CAGE CODE DRAWING NO	RESTRICTED TO
	4 PLC ±	114-60027	A100779C=2344508
	ANGLES FINISH	WEIGHT	
MATERIAL		CUSTOMER DRAWING	SCALE 1:1 SHEET 2 OF 4 REV A2

LOC	DIST	REVISIONS			
		REV	DATE	BY	APPV
GP	00	-	SEE SHEET 1	-	-



RECOMMENDED PCB CONFIGURATION WITH KEEP-OUT AREAS SINGLE SIDED APPLICATIONS SCALE 5:1



DETAIL C SCALE 10:1

$\phi 1.05 \pm 0.05$
PLATING REQUIRED
 $\oplus \phi 0.10 \text{M} | A | L-K | E$
-E-

$11 \times \phi 1.05 \pm 0.05$
PLATING REQUIRED
 $\oplus \phi 0.10 \text{M} | A | L-K | E$

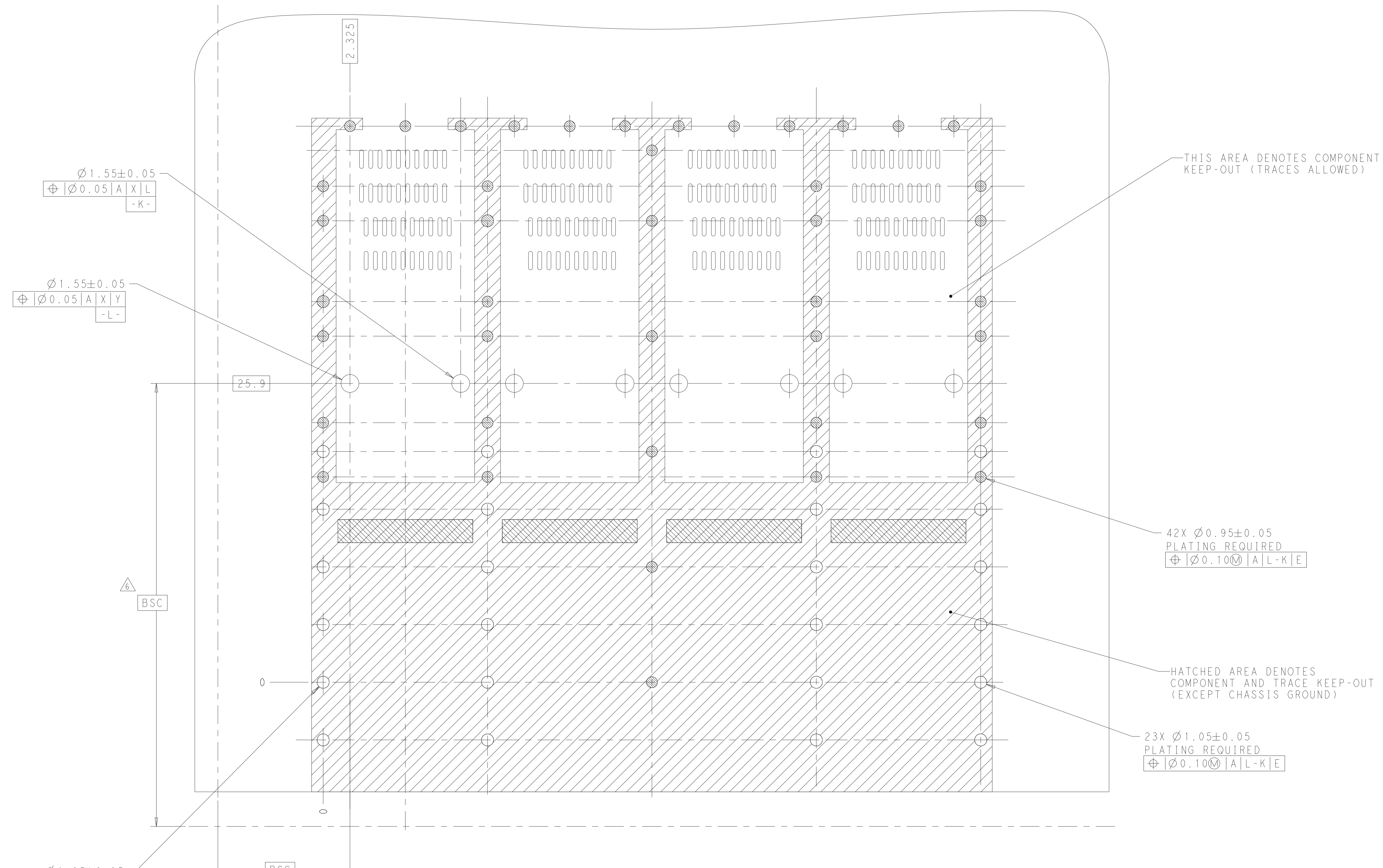
$28 \times \phi 0.95 \pm 0.05$
PLATING REQUIRED
 $\oplus \phi 0.10 \text{M} | A | L-K | E$

$\phi 1.55 \pm 0.05$
 $\oplus \phi 0.05 | A | X | Y | L-L$

$\phi 1.55 \pm 0.05$
 $\oplus \phi 0.05 | A | X | L | K-K$

THIS DRAWING IS A CONTROLLED DOCUMENT.		OWN: VINDY LIU 10OCT2018	TE Connectivity	
DIMENSIONS: mm		CHK: SEAN HAN 10OCT2018	NAME: SFPDD 1X4 CAGE ASSEMBLY PRESS-FIT, EXTERNAL EMI SPRINGS	
TOLERANCES UNLESS OTHERWISE SPECIFIED:		APVD:	PRODUCT SPEC: 108-60128	
0 PLC ± 0.25		APPLICATION SPEC: 114-60027		RESTRICTED TO:
1 PLC ± 0.25		WEIGHT: A100779C=2344508		SCALE: 1:1 SHEET 3 OF 4 REV: A2
2 PLC ± 0.20		CUSTOMER DRAWING		
3 PLC ± 0.20				
4 PLC ± 0.20				
ANGLES: #				
FINISH: #				

LOC	DIST	REVISIONS			
P	LTN	DESCRIPTION	DATE	DWN	APVD
-	-	SEE SHEET 1	-	-	-



RECOMMENDED PCB CONFIGURATION WITH KEEP-OUTS FOR BELLY TO BELLY APPLICATIONS
 SAME AS SINGLE SIDE APPLICATION, EXCEPT AS SHOWN
 SCALE 6:1

THIS DRAWING IS A CONTROLLED DOCUMENT.		DWN: VINDY LIU 10OCT2018	TE Connectivity
DIMENSIONS: mm		CHK: SEAN HAN 10OCT2018	
TOLERANCES UNLESS OTHERWISE SPECIFIED: 0 PLC ±0.25 1 PLC ±0.25 2 PLC ±0.20 3 PLC ±0.20 4 PLC ±0.20 ANGLES ± FINISH #		NAME: SFPDD 1X4 CAGE ASSEMBLY PRESS-FIT, EXTERNAL EMI SPRINGS PRODUCT SPEC: 108-60128 APPLICATION SPEC: 114-60027	RESTRICTED TO:
MATERIAL:		WEIGHT: - CUSTOMER DRAWING	SIZE: A1 CAGE CODE: 00779 DRAWING NO: C=2344508 SCALE: 1:1 SHEET: 4 OF 4 REV: A2