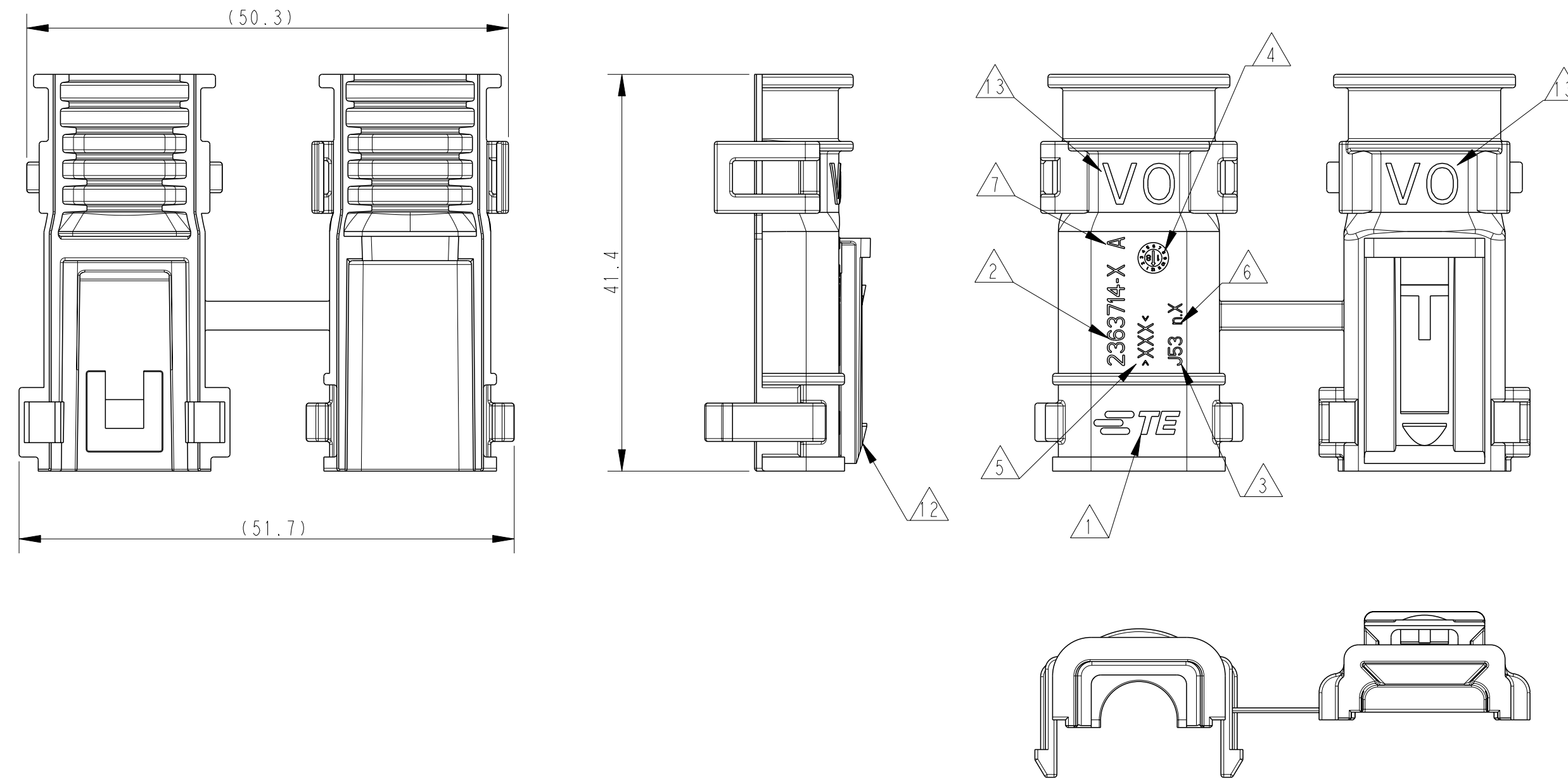


P	LTR	DESCRIPTION	DATE	DWN	APVD
A		INITIAL RELEASE	22NOV2019	N.S	I.Y
A1		ECR-20-011698	21AUG2020	N.S	I.Y
A2		ECR-20-013035	15SEP2020	N.S	I.Y
A3		ECR-20-015033	22OCT2020	N.S	I.Y

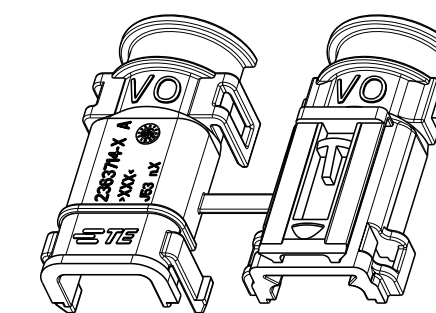
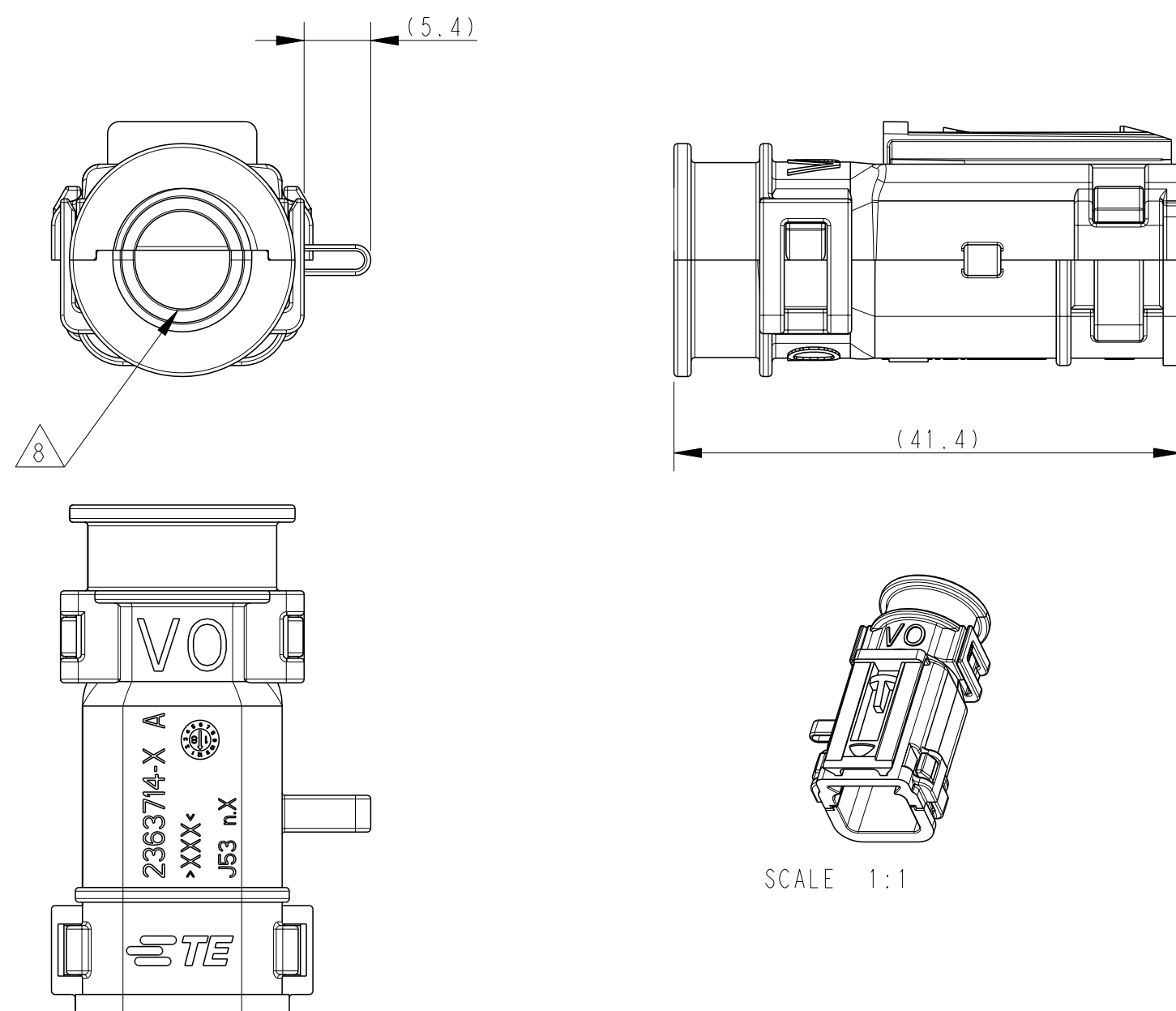
DELIVERY CONDITION AS SHOWN



NOTES:

- 1 .TE LEGO
- 2 .TE PART NO.
- 3 .MANUFACTURING LOCATION.
- 4 .DATE CODE.
- 5 .MATERIAL MARKING
- 6 .MOULD CAVITY MARKING
- 7 .PART REVISION
- 8 .FOR CORRUGATED TUBE: NW6/7.5/8.5/10.
- 9. P/N:2363714 USED ON SSP REC 2P P/N.2327042 AND DT04-2P-XXXX NO CAP VERSION
- 10.BULK PACKAGING IN CORRUGATED BOX
- 11.BASED ON THE HINGE MECHANISM,THE DELIVERY CONDITION CAN BE DIFFERENT TO THE SHOWN STATUS.
- 12.SWALLOW TAIL FOR DIVERSE BRACKETS AND ATTACHMENT CLIPS
- 13 VO MARK, ONLY SHOWS ON PN.2363714-2

CLOSED (MOUNTED) CONDITIONS AS SHOWN



SCALE 1:1

TE P/N	REV	COLOR	DESCRIPTION	ITEM
2363714-2	A	BLACK	180DEG TAB HSG BACKSHELL FOR SUPERSEAL PRO 2P(VO TYPE)	2
2363714-1	A	BLACK	180DEG TAB HSG BACKSHELL FOR SUPERSEAL PRO 2P(HB TYPE)	1

THIS DRAWING IS A CONTROLLED DOCUMENT.		DWN N. SONG 12NOV2019	STE TE Connectivity	
DIMENSIONS: mm		CHK E. JIANG 12NOV2019		
TOLERANCES UNLESS OTHERWISE SPECIFIED: 0 PLC ±0.5 1 PLC ±0.3 2 PLC ± 3 PLC ± 4 PLC ± ANGLES ± FINISH		APVD I. YIN 12NOV2019	NAME TAB HSG BACKSHELL, 2POS, SSP, 180DEG	
MATERIAL		PRODUCT SPEC -	SIZE A2	
		APPLICATION SPEC -	CAGE CODE 00779	
		WEIGHT -	DRAWING NO C-2363714	
CUSTOMER DRAWING		SCALE 2:1		SHEET 1 OF 1
		REV A3		