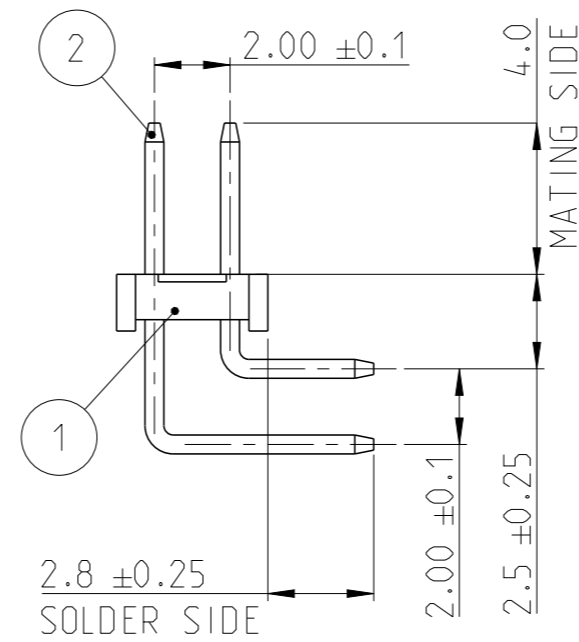
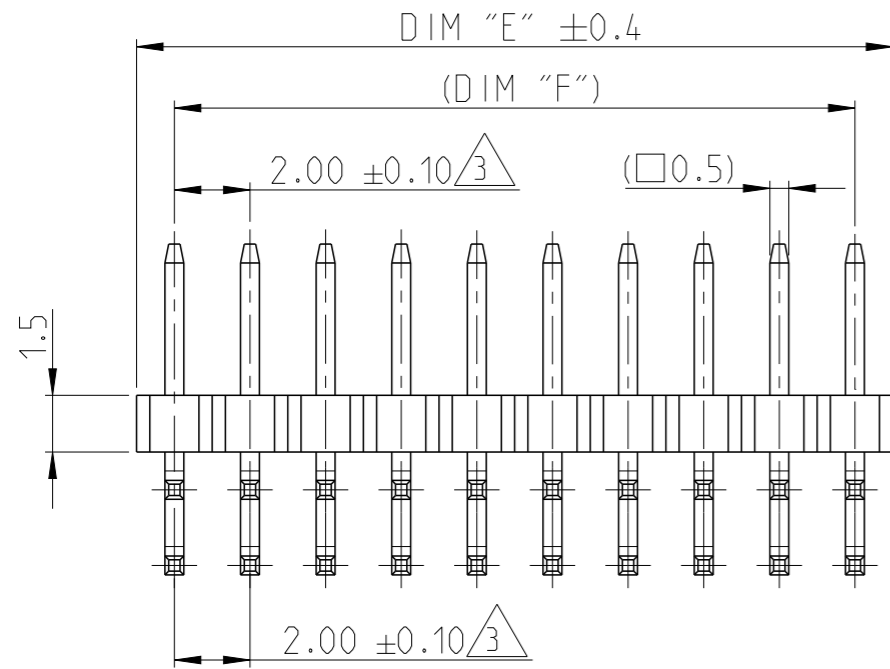
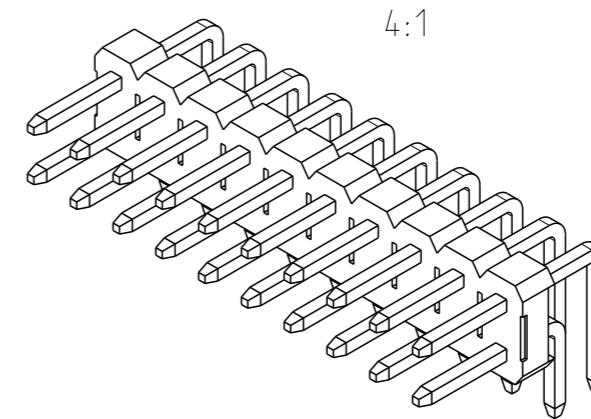
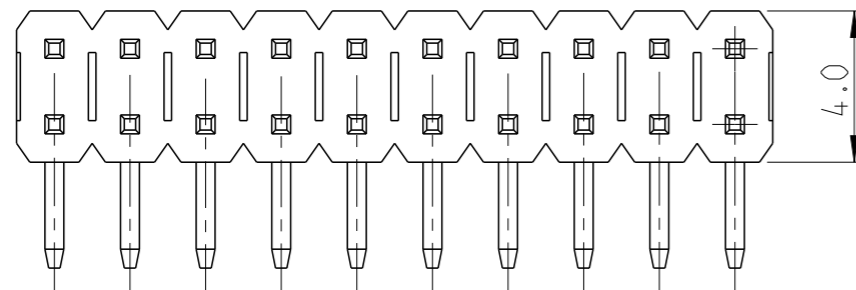


P	LTR	DESCRIPTION	DATE	DWN	APVD
A		PRODUCTION RELEASE	30AUG2019	SS	PS
A1		REMOVED TOLERANCE FROM DIM F	18DEC2019	AY	PS

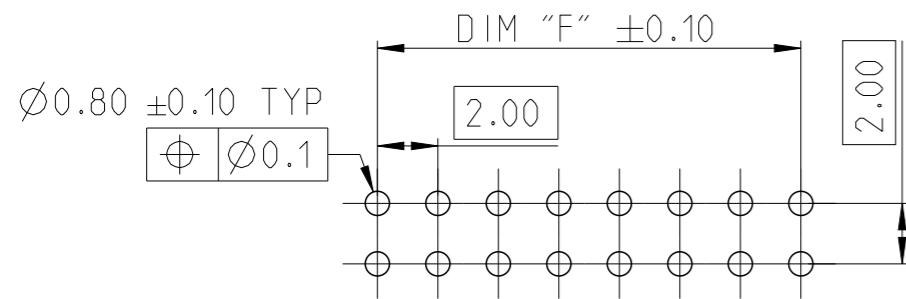


NOTES:

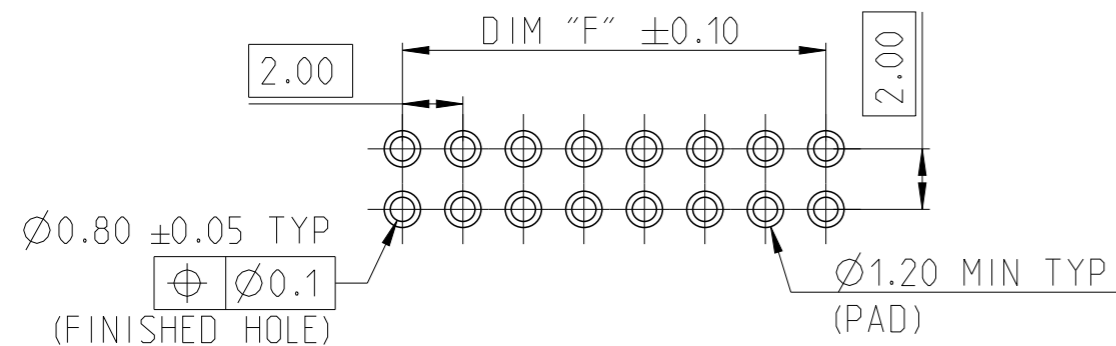
- MATERIAL
HOUSING : HIGH TEMPERATURE THERMOPLASTIC, UL94-V0; COLOR- BLACK
CONTACT PIN : COPPER ALLOY
FINISH :
MATING SIDE : MIN. 0.76 μ m GOLD OVER NICKEL UNDER PLATING.
SOLDER SIDE : MIN. 2.0 μ m BRIGHT TIN OVER NICKEL UNDER PLATING.
- PACKAGING: BULK PACK.
- TOLERANCE NOT CUMULATIVE.
- CUTTING BURR MAX. 0.25 mm



48.0	50.0	25	2-2842164-5
46.0	48.0	24	2-2842164-4
44.0	46.0	23	2-2842164-3
42.0	44.0	22	2-2842164-2
40.0	42.0	21	2-2842164-1
38.0	40.0	20	2-2842164-0
36.0	38.0	19	1-2842164-9
34.0	36.0	18	1-2842164-8
32.0	34.0	17	1-2842164-7
30.0	32.0	16	1-2842164-6
28.0	30.0	15	1-2842164-5
26.0	28.0	14	1-2842164-4
24.0	26.0	13	1-2842164-3
22.0	24.0	12	1-2842164-2
20.0	22.0	11	1-2842164-1
18.0	20.0	10	1-2842164-0
16.0	18.0	9	2842164-9
14.0	16.0	8	2842164-8
12.0	14.0	7	2842164-7
10.0	12.0	6	2842164-6
8.0	10.0	5	2842164-5
6.0	8.0	4	2842164-4
4.0	6.0	3	2842164-3
2.0	4.0	2	2842164-2
DIM "F"	DIM "E"	POS. PER ROW	TE PN



RECOMMENDED PCB HOLE PATTERN FOR THROUGH HOLE WAVE



RECOMMENDED PCB HOLE PATTERN FOR THROUGH HOLE REFLOW/PIN-IN-PASTE

1-2842164-0 AS SHOWN

CONTACT PIN	2
HOUSING	1
DESCRIPTION	ITEM NO.

THIS DRAWING IS A CONTROLLED DOCUMENT.		DWN 08AUG2019 SUBHASREE S
DIMENSIONS: mm		CHK 13AUG2019 KARTHIK JK
TOLERANCES UNLESS OTHERWISE SPECIFIED:		APVD 14AUG2019 PRASHANTH S
0 PLC	±	PRODUCT SPEC
1 PLC	±0.2	108-64040
2 PLC	±0.15	APPLICATION SPEC
3 PLC	±	114-32259
4 PLC	±	WEIGHT
ANGLES	±2°	-
MATERIAL	FINISH	CUSTOMER DRAWING
SEE NOTES	SEE NOTES	

NAME		AMPMODU 2mm BREAKAWAY HEADER, DUAL ROW, RIGHT ANGLE, 0.76 Au, BULK	
SIZE	CAGE CODE	DRAWING NO	RESTRICTED TO
A3	00779	©=2842164	-
SCALE		SHEET	REV
5:1		1 OF 1	A1