

- 1
- 2
- 3
- 4
- 5
- 6
- 7
- 8
- 9
- 10
- 11
- 12
- 13
- 14
- 15
- 16
- 17
- 18

BRACKET

Glass-fibre reinforced polyamide based (PA) technopolymer, black colour, matte finish.

GUIDE RAIL CYLINDER

Glass-fibre reinforced technopolymer. Black colour, matte finish.

STANDARD EXECUTIONS

- Nickel-plated AISI 431 stainless steel eye screw.
- Glass-fibre reinforced technopolymer clamping knob, black colour, matte finish, with nickel-plated brass hexagonal end for clamping by means of a key, threaded hole.
- AISI 304 stainless steel screw, nut and washer for the fixing of guide rail cylinder to the bracket.
- **SPR.V-A**: with lower lip.
- **SPR.V-B**: without lower lip.

FEATURES

Particularly suitable when the angular and linear positioning needs to be executed in two different moments, for example when the distance between the guides has to be set more frequently than the angulation. Maximum tightening torque for screw assembly 39 Nm.

ACCESSORIES ON REQUEST

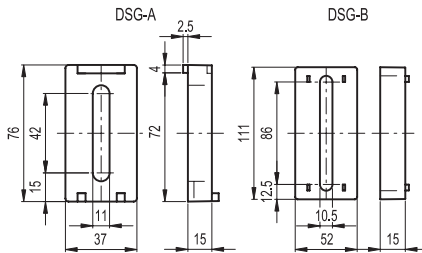
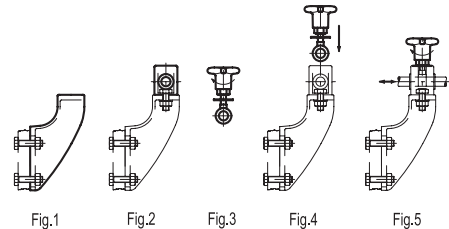
Spacer for guide rail bracket DSG-A (code 419676) or DSG-B (code 419677) in glass-fibre reinforced technopolymer, black colour, matte finish.

SPECIAL EXECUTIONS ON REQUEST

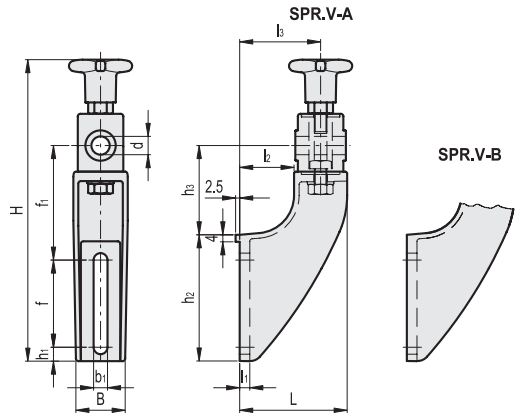
AISI 304 stainless steel guide rail cylinder.

ASSEMBLY INSTRUCTIONS

- Fit the guide rail bracket (Fig. 1).
- Assemble the guide rail cylinder to the support, with screw, nut and washer (Fig. 2).
- Insert the washer on the eye screw and assemble the knob (Fig. 3).
- Insert the eye in the guide rail cylinder housing (Fig. 4).
- Insert the guide pin in the guide rail cylinder hole. Set its linear and angular position and then clamp the knob (linear positioning) and the fixing nut of guide rail cylinder (angular positioning) (Fig. 5).



Conversion Table	
1 mm = 0.039 inch	
mm	inch
12	0.47
14	0.55
16	0.63



SPR.V-A

Code	Description	d Pin	H	L	B	f	f1	b1	h1	h2	h3	l1	l2	l3	⚖️
419755	SPR.V-12-A	12	203	70	37	42	79	11	15	76	60	8	30	50	255
419756	SPR.V-14-A	14	203	70	37	42	79	11	15	76	60	8	30	50	250
419757	SPR.V-16-A	16	203	70	37	42	79	11	15	76	60	8	30	50	245

SPR.V-B

Code	Description	d Pin	H	L	B	f	f1	b1	h1	h2	h3	l1	l2	l3	⚖️
419658	SPR.V-12-B	12	238	85	41	69	90	11	11	100	70	8	43	64	270
419659	SPR.V-14-B	14	238	85	41	69	90	11	11	100	70	8	43	64	265
419660	SPR.V-16-B	16	238	85	41	69	90	11	11	100	70	8	43	64	260