

THIS DRAWING IS UNPUBLISHED.

RELEASED FOR PUBLICATION

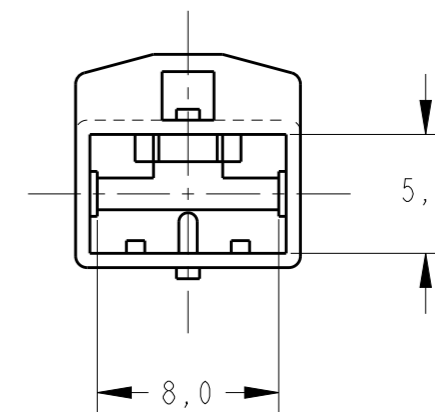
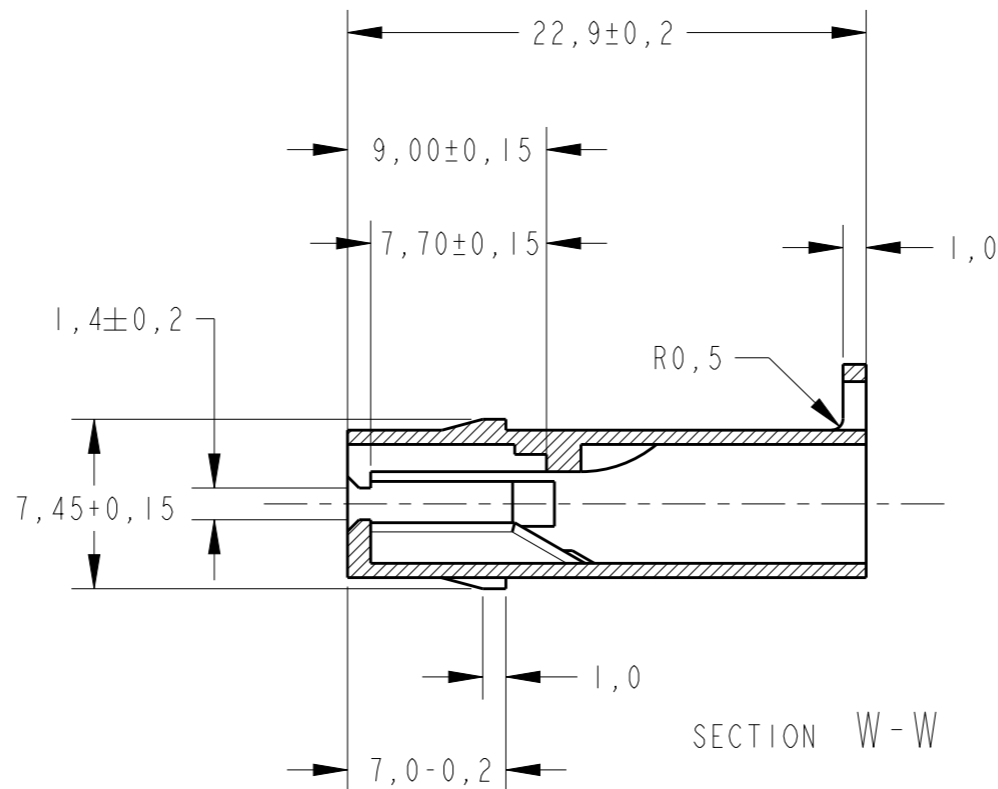
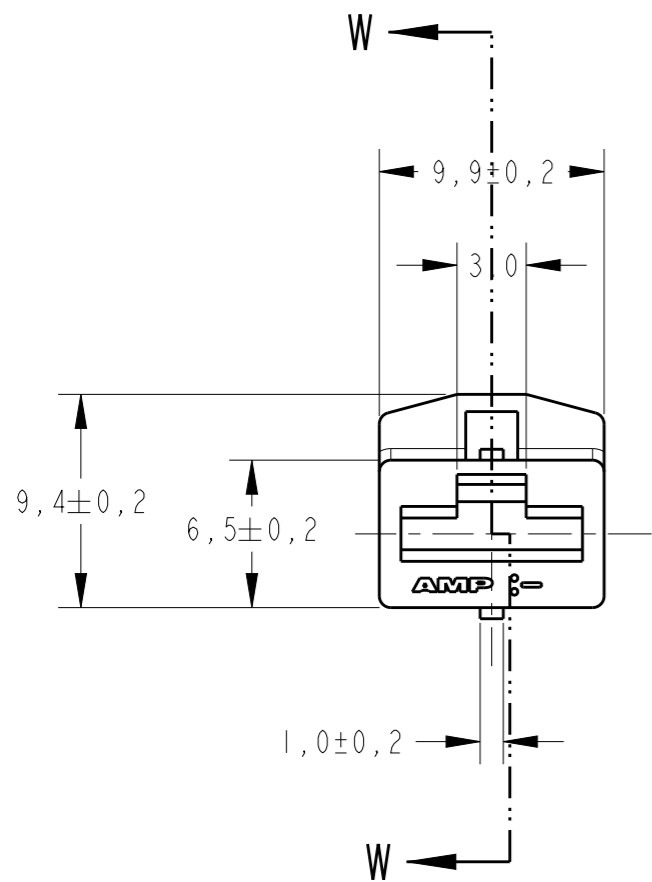
© COPYRIGHT 19 BY - ALL RIGHTS RESERVED.

**creo**  
Creo Parametric 2.0  
**DO NOT REVISE  
EXCEPT BY CAD**

REVISIONS

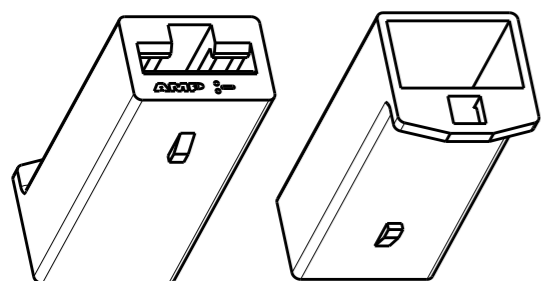
P	LTR	DESCRIPTION	DATE	DWN	APVD
	B2	REVISED BY ECO 16-006714	11MAY2016	HC	WLS

GRAVAÇÃO MARKING
LOGOTIPO AMP AMP LOGO
CÓDIGO PAÍS PRODUTOR MANUFACTURER COUNTRY CODE
NÚMERO CAVIDADE CAVITY NUMBER



1 - INTERCAMBIÁVEL COM PN 180905  
- INTERCHANGEABLE WITH PN 180905

OBSOLETE	LARANJA/ORANGE				9
OBSOLETE	VIOLETA/VIOLET				8
OBSOLETE	CINZA/GRAY				7
OBSOLETE	MARROM/BROWN				6
OBSOLETE	PRETO/BLACK				5
OBSOLETE	AMARELO/YELLOW				4
OBSOLETE	AZUL/BLUE				3
OBSOLETE	VERDE/GREEN				2
	VERMELHO/RED				-1
	NATURAL				-0
		P.A 6.6		880305	-0
	RAW MAT'L NO	FINISH	MATERIAL	PART NUMBER	



PERSPECTIVE VIEW  
SCALE 2:1

THIS DRAWING IS A CONTROLLED DOCUMENT.		DWN N.C.LAPRESA 09DEC99	<b>STE</b> TE Connectivity		
DIMENSIONS: mm		CHK P.L.FARIA 09DEC99			
TOLERANCES UNLESS OTHERWISE SPECIFIED:		APVD E.ALEXANDRONI 09DEC99	NAME - HOUSING, SINGLE CIRCUIT .250S.RCPT		
0 PLC ±-	1 PLC ±0,5	PRODUCT SPEC	SIZE A3	CAGE CODE -	DRAWING NO C-880305
2 PLC ±-	3 PLC ±-	APPLICATION SPEC	RESTRICTED TO -		
4 PLC ±-	ANGLES ±1°	WEIGHT -	SCALE 3:1		
MATERIAL SEE TABLE	FINISH SEE TABLE	Customer Drawing	SHEET 1 OF 1		
			REV B2		