

NO: PH-208 **PRODUCT:** E3G-M Photoelectric Sensors
DATE: November 2015 **TYPE:** Modification Notice

E3G-MR, E3G-ML Photoelectric Sensors will be Modified with a new Slide Switch

Effective date: April 2016 production

Reason for Modification: The current supplier discontinued the slide switch and a new switch was found to replace it.

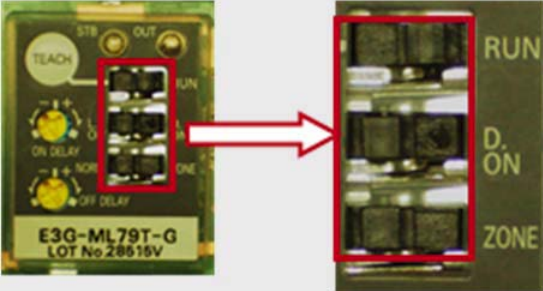
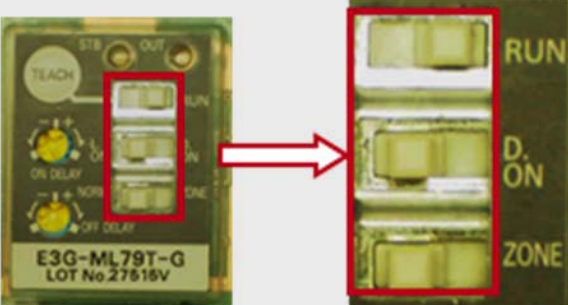
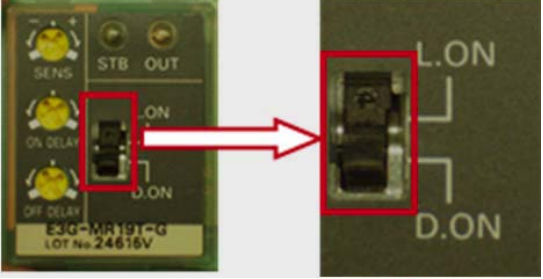
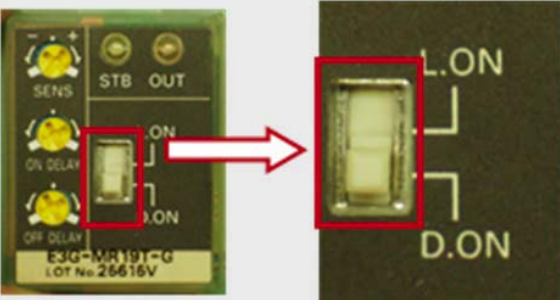


Affected Parts

Models	Specification
E3G-ML79	AC24-240V/DC12-240V
E3G-ML79-G	AC24-240V/DC12-240V
E3G-ML79-US	AC24-240V/DC12-240V
E3G-ML79T	AC24-240V/DC12-240V
E3G-ML79T-G	AC24-240V/DC12-240V
E3G-ML79T-US	AC24-240V/DC12-240V
E3G-MR19	AC24-240V/DC12-240V
E3G-MR19-G	AC24-240V/DC12-240V
E3G-MR19-G-1	AC24-240V/DC12-240V
E3G-MR19-G-2	AC24-240V/DC12-240V
E3G-MR19-G-3	AC24-240V/DC12-240V
E3G-MR19-US	AC24-240V/DC12-240V
E3G-MR19T	AC24-240V/DC12-240V
E3G-MR19T-G	AC24-240V/DC12-240V
E3G-MR19T-G-2	AC24-240V/DC12-240V
E3G-MR19T-US	AC24-240V/DC12-240V

See the detail of differences on the following page.

Detail of Differences

Before the change	After the change
<p>Control Panels appearance Slide switch change. Slide switch knob color: Black</p> <p>For example ① E3G-ML79T-G</p> 	<p>Control Panels appearance Slide switch change. Slide switch knob color: White</p> <p>For example ① E3G-ML79T-G</p> 
<p>For example ② E3G-MR19T-G</p> 	<p>For example ② E3G-MR19T-G</p> 

Specifications in this product news are as of the issue date and are subject to change without notice.
Only main changes in specifications are described in this document. Please be sure to read the relevant catalogs, data sheets, product specifications, instructions, and manuals for precautions and necessary information when using products.