



LL-01 SERIES

POWER LOOP

Proven ultrasonic technology combined with compact electronics

Improved performance in aerated liquids

Cost effective design for tight spaces and direct replacement of electro optical and mechanical float switch

The LL-01 series Ultrasonic Sentiono™ Miniature Liquid Level Switch uses proven ultrasonic technology combined with compact electronics yielding improved performance in aerated liquids.

Features

Standard Features

- High pressure up to 250 PSIG (1724 KPa)
- No moving parts, easy to install
- Input 5.5 to 30 VDC
- Digital filter techniques enhance performance
- Power Loop output, Wet 20 ± 1 mA; Dry 4 ± 1 mA

Optional Features

- Temperature options: 80°C or 100°C
- Mounting options: ¼" NPT or ½" NPT
- Relay output version also available (SPST-NO or NC)

Applications

- Pump protection
- Storage tanks
- Compressors
- Medical and laboratory equipment
- Hydraulic supply lines
- Oil film detection
- Coolant reservoirs
- Boiler water cutoff
- Sewage systems
- Pipelines
- Hydraulic and lube reservoirs
- Chillers

LL-01 SERIES

POWER LOOP

Specifications

Repeatability	2 mm or better
Delay	0.5 seconds
Input Power	5.5 to 30 VDC
Output (standard)	Wet 20±1 mA; Dry 4±1 mA
EMC	EN 61326-1 for fixed cable lengths <30 meters and not powered from a DC distribution system; Emissions Group 1 Class A
Sensor Material	316L Stainless Steel
Temperature	-20 to +176°F (-29 to 80°C) or -20 to +212°F (-29 to 100°C)
Operating Pressure	Up to 250 PSIG (1724 KPa)
Mounting	¼" NPT or ½" NPT
Cable Length	1, 4, 10, & 20 foot lengths available

Typical Wiring Diagram

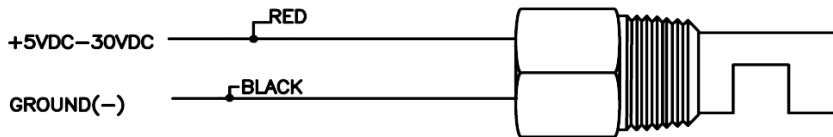


Figure 1
Typical wiring
diagram for LL-01
series elements

LL-01 SERIES
POWER LOOP

Mechanical Dimensions in inches [mm]

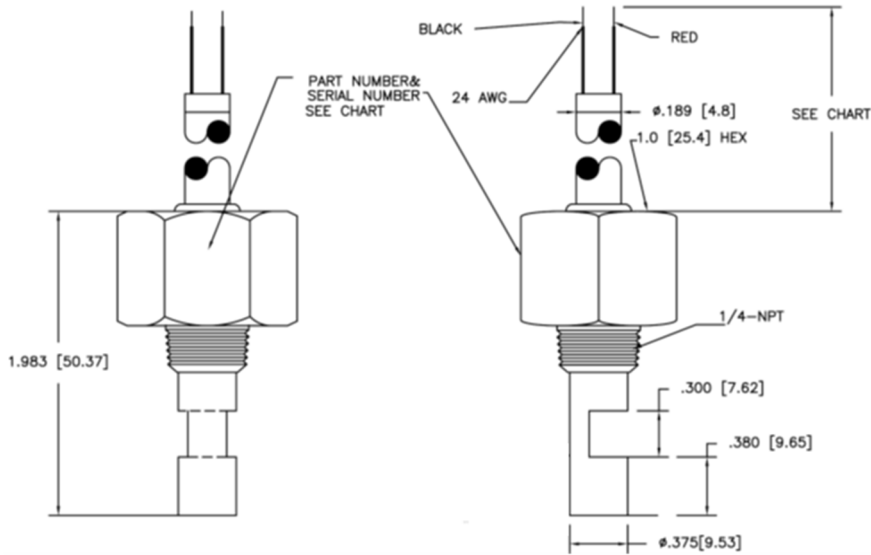
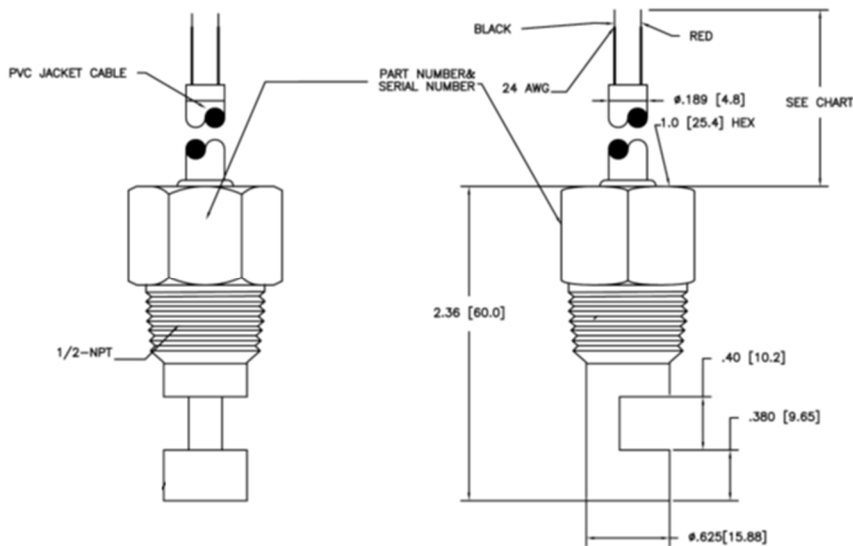


Figure 2

Top: LL-01 series element with 1/4" NPT sensor mounting

Bottom: LL-01 series element with 1/2" NPT sensor mounting



LL-01 SERIES
POWER LOOP

Ordering Information

Part Number
LL01 - _ A _ _

Temperature

5	80°C, 4-20 mA
6	100°C, 4-20 mA

Sensor Material

A	316L SS
----------	---------

Cable Length

01	1 foot
04	4 feet
10	10 feet
20	20 feet

Sensor Mount and Activation Point

A	¼" NPT w/ 0.25" activation point
B	½" NPT w/ 0.25" activation point

NORTH AMERICA

TE Connectivity Company
Phone +1-800-522-6752
Email: customercare.hmpt@te.com

EUROPE

TE Connectivity Company
Phone: +49-800-440-5100
Email: customercare.tlse@te.com

ASIA

TE Connectivity Company
Phone: +86-400-820-6015
Email: customercare.shzn@te.com

te.com/sensors

TE Connectivity, TE, TE Connectivity (logo) and Every Connection Counts are trademarks. All other logos, products and/or company names referred to herein might be trademarks of their respective owners

The information given herein, including drawings, illustrations and schematics which are intended for illustration purposes only, is believed to be reliable. However, TE Connectivity makes no warranties as to its accuracy or completeness and disclaims any liability in connection with its use. TE Connectivity's obligations shall only be as set forth in TE Connectivity's Standard Terms and Conditions of Sale for this product and in no case will TE Connectivity be liable for any incidental, indirect or consequential damages arising out of the sale, resale, use or misuse of the product. Users of TE Connectivity products should make their own evaluation to determine the suitability of each such product for the specific application.

© 2019 TE Connectivity Corporation. All Rights Reserved.

Version # 11/2021

