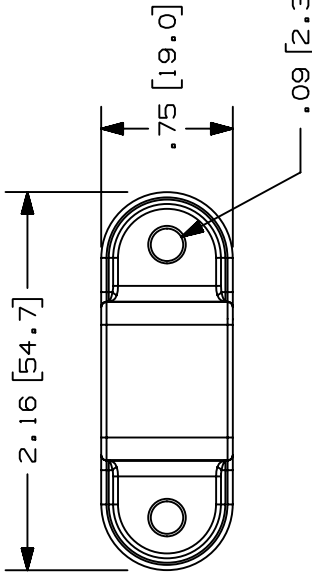


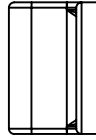
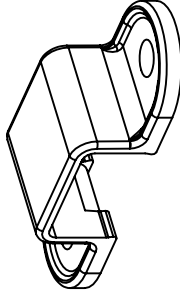
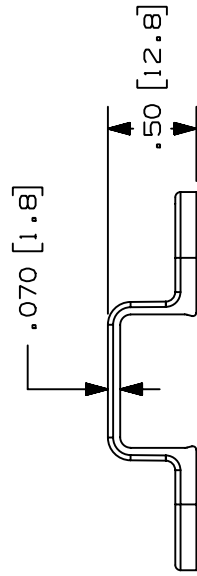
THIS COPY IS PROVIDED ON A RESTRICTED BASIS AND IS NOT TO BE USED IN ANY WAY DETRIMENTAL TO THE INTERESTS OF PANDUIT CORP.

PANDUIT P/N	WEIGHT
LMD3	.07 LBS/10 PCS. .3 G/10 PCS.



NOTES:

- SEE CURRENT CATALOG FOR ADDITIONAL PART NUMBER SUFFIXES TO INDICATE COLOR AND OR PACKAGE QUANTITY.
- DIMENSIONS IN PARENTHESIS ARE IN METRIC.
- INTERFERENCE FIT BETWEEN STRAP AND RACEWAY FOR EASE OF INSTALLATION.
- STRAPS CAN BE USED AS COUPLER BETWEEN RACEWAY SECTIONS.
- STRAPS CAN BE USED WITH LD AND LDP RACEWAYS TO PROVIDE COMPLETE TAMPER RESISTANCE.



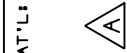
CAO FILENAME/LAYERS D35541CR_LMD3_C_02.PRT

PANDUIT CORP. TINLEY PARK, ILLINOIS
MOUNTING STRAP FOR LDS3
DOUBLE HOLE (LMD3)
CUSTOMER DRAWING

UNLESS OTHERWISE SPECIFIED,
DIMENSIONAL TOLERANCES ARE:
(.X) ± (XXX) ±.010 (.3)
(.XX) ±.03 (.8) ANGLES ±

UNLESS OTHERWISE SPECIFIED,
ALL DIMENSIONS ARE GIVEN
IN INCHES, THIRD ANGLE PROJECTION.

REV	DATE	BY	CHK	DESCRIPTION	ECN	R	CUST	SUP								
2	03-08-04	JHEP	RGRO	B. REMOVED CD FROM NOTE 5	35541-44	RGRO	RGRO									
1	07-08-99	DW	HIW	A. REVISED MATERIAL AND WEIGHT	35541-44	HIW	CEF									
R	10-02-96	PM	CEF	RELEASED TO PRODUCTION	35541-44	CEF	CEF									
<table border="1"> <tr> <td>SCALE</td> <td>FULL</td> </tr> <tr> <td>DRAWING NO.</td> <td>35541-44</td> </tr> <tr> <td>DWG</td> <td>A</td> </tr> <tr> <td>SIZE</td> <td></td> </tr> </table>									SCALE	FULL	DRAWING NO.	35541-44	DWG	A	SIZE	
SCALE	FULL															
DRAWING NO.	35541-44															
DWG	A															
SIZE																



MAT'L: PVC
DRAWN BY: PM
DATE: 10-02-96
CHK'D: CEF